

PowerMon S

The PowerMon S analyzer is a compact closed multi-component measuring system. It bases on the spectroscopic measuring principle. The usability could be enhanced perceptible. Compared to the DiaMon the costs for this analyzer has been reduced drastically.

- One PowerMon S replaces several single-parameter analyzers
- Pre-calibrated for quick and easy installation: needs only a simple on-site adjustment to local sample conditions
- Connection of external physical sensors and actuators
- Simple maintenance
- Low reagent consumption
- Long maintenance intervals
- Enhanced remote diagnostics and modem control referring to DiaMon



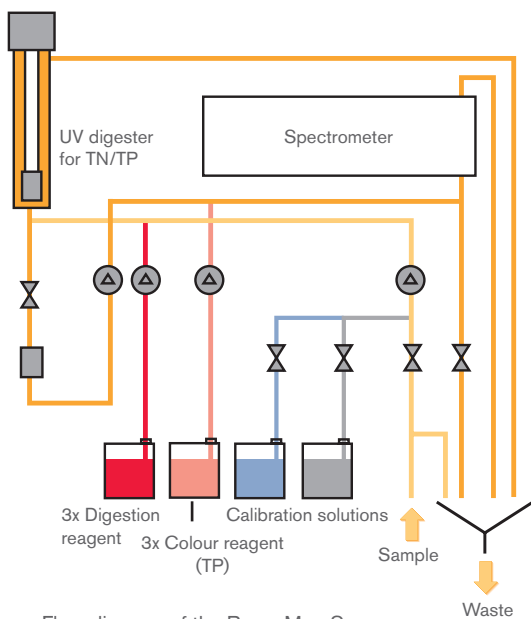
Applications

- Measuring of Total N and Total P
- Measuring of DOC, CSB
- Measuring of $\text{NH}_4^+ \text{-N}$ / $\text{NO}_3^- \text{-N}$ / $\text{PO}_4^{3-} \text{-P}$
- For waste water treatment plants, rivers, lakes and coastal waters

Advantages

- Simple operation with the well-known PowerMon touch screen
- CAN bus, Profibus DP, Modbus RTU and TCP, LAN and modem
- Better Remote Control facilities in comparison with the previous model
- The connection of more sensors by transmitters

PowerMon S



Flow diagram of the PowerMon S

The relationship between the concentration of nitrogen compounds in waste water and their influence on the eco system has been increasingly realised in the last few years.

Phosphorus is present in various forms both in natural water sources and in waste water: it may take the form of ortho-phosphate, inorganic polyphosphates or organic phosphorus compounds.

As a result, waste water treatment plants aim to remove as much of the nitrogen and phosphorus content as possible before the treated water is returned to nature. Monitoring total N and P in the final effluent is an essential part of the control process

The PowerMon S is the ideal instrument for providing a continuous measurement of these important parameters.

Technical Data

MEASURING METHODS

potentiometric

MEASURING CYCLE

at least 6 min.

MEASURING RANGE

NO₃⁻ 0 - 1 to 0 - 500 mg N/l
 F⁻ 0 - 1 to 0 - 1.000 mg/l
 Cl⁻ 0 - 0,1 to 0 - 10.000 mg/l
 NH₄⁺ 0 - 2,5 to 0 - 1.000 mg/l
 K⁺ 0 - 1 to 0 - 10.000 mg/l

Further parameters and measuring ranges on request.

PRECISION

typ. < 5% of measuring range (end of value)

DRIFT

typ. < 1% of measuring range (end of value)

REAGENT SUPPLY

for approx. 3 weeks

NUMBER OF MEASURING POINTS

max. 6

OUTPUT SIGNAL

0/4-20 mA
 max. load 500 OHM
 characteristic curve:
 linear/logarithmic
 galvanically isolated

INTERFACES

USB / Ethernet
 Option:
 Modem: analog, GSM, ISDN, UMTS
 Profibus DP, Modbus RTU and TCP

RELAY CONTACTS

4/12 potential free contacts
 free allocable
 (e.g. alarm contact)

DIGITAL INPUTS

4/12 e.g. activating and deactivating of measuring points, system control

SAMPLE

pressure-free
 Temperature : 15 - 45°C
 (288 - 308 K)
 Flow : 3 - 10 l/h
 free from suspended matter and oil
 Connection : tube, flexible (ID 1,5 - 3 mm)

DRAIN

pressure-free
 tube, flexible (ID 10 mm)

POWER SUPPLY

85...264 VAC at
 47...63 Hz

POWER CONSUMPTION

~ 42 VA (max. 90 VA)

ENVIRONMENTAL

TEMPERATURE

15 - 35°C (288 - 308 K)

INSTALLATION

wall-mounted

PROTECTION CLASS (EN 60529)

IP 65 (electronics)
 IP 54 (with housing)
 IP 21 (with jacket)

WEIGHT

housing with reagent cabinet
 53 - 60 kg without reagents

DIMENSIONS

(HEIGHT X WIDTH X DEPTH)
 housing: 700x600x320 mm
 with reagent cabinet:
 1100x600x354 mm

For further information please contact our technical support



SPX Flow Technology Norderstedt GmbH - Werkstraße 4 - D-22844 Norderstedt
 Phone: +49 40 52202-0 Fax: +49 40 52202-444 E-Mail: branluebbe@spx.com

SPX reserves the right to incorporate our latest design and material changes without notice or obligations.

Design features, materials of construction and dimensional data, as described in this bulletin, are provided for your information only and should not be relied upon unless confirmed in writing. Please contact your local sales representative for product availability in your region. For more information visit www.spx.com.

"The green ">" is a trademark of SPX Corporation, Inc."