

# Technical Information

## Proline Prowirl C 200

Vortex flowmeter



Sensor enabling primary element corrosion inspection, available as compact or remote device version

### Application

- Preferred measuring principle for wet/saturated/superheated steam, gases & liquids (also cryogenic)
- For steam applications with high chloride content (SAGD) aligned with AER Directive 017 Guidelines

### Device properties

- Sensor made of carbon steel
- Material for low medium temperatures
- Display module with data transfer function
- Robust two-chamber housing
- Plant safety: CSA C/US and SIL approvals

### Your benefits

- Compliance to AER – enables customer to fulfil inspection requirements
- Higher process control – unique inspection concept allows visual assessment of primary element
- High process safety – resistant to inter-granular stress corrosion cracking
- Convenient device wiring – separate connection compartment
- Safe operation – no need to open the device due to display with touch control, background lighting
- Integrated verification – Heartbeat Technology™







## Table of contents

<b>Document information</b> . . . . .	<b>3</b>	Electromagnetic compatibility (EMC) . . . . .	44
Symbols used . . . . .	3		
<b>Function and system design</b> . . . . .	<b>3</b>	<b>Process</b> . . . . .	<b>44</b>
Measuring principle . . . . .	3	Medium temperature range . . . . .	44
Measuring system . . . . .	7	Pressure-temperature ratings . . . . .	44
		Pressure loss . . . . .	45
		Thermal insulation . . . . .	45
		Vibrations . . . . .	45
<b>Input</b> . . . . .	<b>7</b>	<b>Mechanical construction</b> . . . . .	<b>45</b>
Measured variable . . . . .	7	Design, dimensions . . . . .	45
Measuring range . . . . .	8	Weight . . . . .	54
Operable flow range . . . . .	8	Materials . . . . .	55
Input signal . . . . .	8	Process connections . . . . .	56
		<b>Operability</b> . . . . .	<b>57</b>
<b>Output</b> . . . . .	<b>9</b>	Operating concept . . . . .	57
Output signal . . . . .	9	Local operation . . . . .	57
Signal on alarm . . . . .	11	Remote operation . . . . .	58
Load . . . . .	12	Service interface . . . . .	60
Ex connection data . . . . .	12		
Low flow cut off . . . . .	14	<b>Certificates and approvals</b> . . . . .	<b>60</b>
Galvanic isolation . . . . .	14	C-Tick symbol . . . . .	60
Protocol-specific data . . . . .	14	Ex approval . . . . .	60
		Functional safety . . . . .	61
<b>Power supply</b> . . . . .	<b>20</b>	FOUNDATION Fieldbus certification . . . . .	61
Terminal assignment . . . . .	20	Certification PROFIBUS . . . . .	61
Pin assignment, device plug . . . . .	22	Experience . . . . .	61
Supply voltage . . . . .	22	Other standards and guidelines . . . . .	61
Power consumption . . . . .	23		
Current consumption . . . . .	23	<b>Ordering information</b> . . . . .	<b>62</b>
Power supply failure . . . . .	24		
Electrical connection . . . . .	24	<b>Application packages</b> . . . . .	<b>62</b>
Potential equalization . . . . .	29	Diagnostics functions . . . . .	62
Terminals . . . . .	29	Heartbeat Technology . . . . .	62
Cable entries . . . . .	29	Air and industrial gases . . . . .	63
Cable specification . . . . .	29	Natural gas . . . . .	63
Overvoltage protection . . . . .	30		
		<b>Accessories</b> . . . . .	<b>63</b>
<b>Performance characteristics</b> . . . . .	<b>31</b>	Device-specific accessories . . . . .	63
Reference operating conditions . . . . .	31	Communication-specific accessories . . . . .	65
Maximum measured error . . . . .	31	Service-specific accessories . . . . .	65
Repeatability . . . . .	33	System components . . . . .	66
Response time . . . . .	33		
Influence of ambient temperature . . . . .	33	<b>Documentation</b> . . . . .	<b>66</b>
		Standard documentation . . . . .	66
<b>Installation</b> . . . . .	<b>33</b>	Supplementary device-dependent documentation . . . . .	67
Mounting location . . . . .	33		
Orientation . . . . .	33	<b>Registered trademarks</b> . . . . .	<b>67</b>
Inlet and outlet runs . . . . .	34		
Length of connecting cable . . . . .	35		
Installing the wall-mount housing . . . . .	36		
Special mounting instructions . . . . .	37		
<b>Environment</b> . . . . .	<b>38</b>		
Ambient temperature range . . . . .	38		
Storage temperature . . . . .	44		
Climate class . . . . .	44		
Degree of protection . . . . .	44		
Vibration resistance . . . . .	44		









## Document information

### Symbols used





#### Electrical symbols

Symbol	Meaning	Symbol	Meaning
	Direct current		Alternating current
	Direct current and alternating current		<b>Ground connection</b> A grounded terminal which, as far as the operator is concerned, is grounded via a grounding system.
	<b>Protective ground connection</b> A terminal which must be connected to ground prior to establishing any other connections.		<b>Equipotential connection</b> A connection that has to be connected to the plant grounding system: This may be a potential equalization line or a star grounding system depending on national or company codes of practice.

#### Symbols for certain types of information

Symbol	Meaning
	<b>Permitted</b> Procedures, processes or actions that are permitted.
	<b>Preferred</b> Procedures, processes or actions that are preferred.
	<b>Forbidden</b> Procedures, processes or actions that are forbidden.
	<b>Tip</b> Indicates additional information.
	Reference to documentation
	Reference to page
	Reference to graphic
	Visual inspection

#### Symbols in graphics

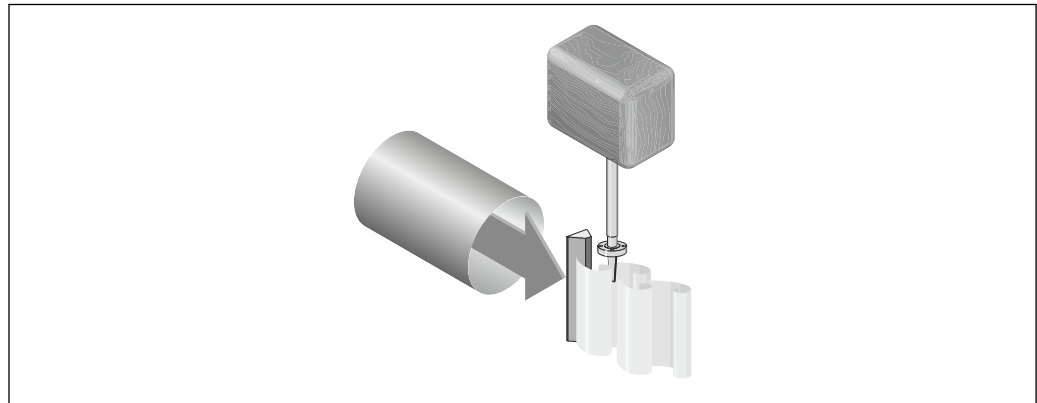
Symbol	Meaning	Symbol	Meaning
1, 2, 3,...	Item numbers		Series of steps
A, B, C, ...	Views	A-A, B-B, C-C, ...	Sections
	Hazardous area		Safe area (non-hazardous area)
	Flow direction		

## Function and system design

### Measuring principle

Vortex meters work on the principle of the *Karman vortex street*. When fluid flows past a bluff body, vortices are alternately formed on both sides with opposite directions of rotation. These vortices each generate a local low pressure. The pressure fluctuations are recorded by the sensor and converted to

electrical pulses. The vortices develop very regularly within the permitted application limits of the device. Therefore, the frequency of vortex shedding is proportional to the volume flow.



The calibration factor (K-factor) is used as the proportional constant:

$$\text{K-Factor} = \frac{\text{Pulses}}{\text{Unit Volume [m}^3\text{]}}$$

A0003939-EN

Within the application limits of the device, the K-factor only depends on the geometry of the device. For  $Re > 20\,000$  it is:

- Independent of the flow velocity and the fluid properties viscosity and density
- Independent of the type of substance under measurement: steam, gas or liquid

The primary measuring signal is linear to the flow. After production, the K-factor is determined in the factory by means of calibration. It is not subject to long-time drift or zero-point drift.

The device does not contain any moving parts and does not require any maintenance.

### The capacitance sensor

The sensor of a vortex flowmeter has a major influence on the performance, robustness and reliability of the entire measuring system.

The robust DSC sensor is:

- burst-tested
- tested against vibrations
- tested against thermal shock (thermal shocks of 150 K/s)

The Prowirl uses the tried-and-tested capacitance measuring technology of Endress+Hauser applied in over 300 000 measuring points worldwide.

The DSC (differential switched capacitance) sensor patented by Endress+Hauser has complete mechanical balancing. It only reacts to the measured variable (vortex) and does not react to vibrations. Even in the event of pipe vibrations, the smallest of flows can be reliably measured at low density thanks to the unimpaired sensitivity of the sensor. Thus, the wide turndown is also maintained even in the event of harsh operating conditions. Vibrations up to 1 g at least, at frequencies up to 500 Hz in every axis (X, Y, Z), do not affect the flow measurement. Thanks to its design, the capacitance sensor is also particularly mechanically resistant to temperature shocks and pressure shocks in steam pipelines.

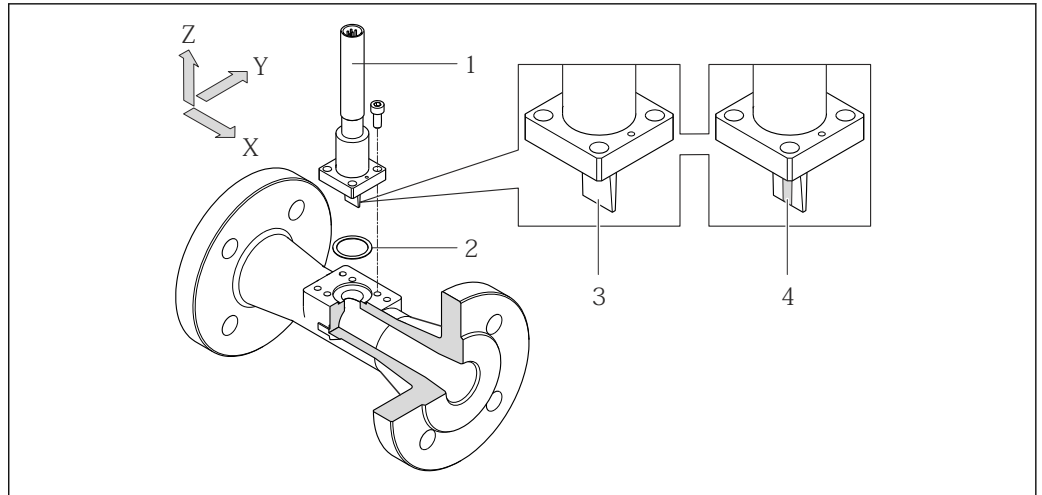
### Temperature measurement

Under the "Sensor version" order code the "Mass flow" option is available (→ 4). With this option the measuring device can also measure the temperature of the medium.

The temperature is measured via Pt 1000 temperature sensors. These sensors are located in the paddle of the DSC sensor and are therefore in the direct vicinity of the fluid.

Order code for "Sensor version":

- Option 4 "Volume flow, Alloy 718"
- Option 6 "Mass flow, Alloy 718"



1 Sample graphic

- 1 Sensor
- 2 Seal
- 3 Order code for "Sensor version", option 4 "Volume flow, Alloy 718"
- 4 Order code for "Sensor version", option 6 "Mass flow, Alloy 718"

### Lifelong calibration

Experience has shown that recalibrated Prowirl devices demonstrate a very high degree of stability compared to their original calibration: The recalibration values were all within the original measuring accuracy specifications of the devices.

Various tests and simulation procedures carried out on devices by filing away the edges of Prowirl's bluff body found that there was no negative impact on the accuracy up to a rounding diameter of 1 mm (0.04 in).

If the meter's edges do not show rounding at the edges that exceeds 1 mm (0.04 in), the following general statements apply (for non-abrasive and non-corrosive media, such as in most water and steam applications):

- The measuring device does not display an offset in the calibration and the accuracy is still guaranteed.
- All the edges on the bluff body have a radius that is typically smaller in size. As the measuring devices are naturally also calibrated with these radii, the measuring device remains within the specified accuracy rating provided that the additional radius that is produced as a result of wear and tear does not exceed 1 mm (0.04 in).

Consequently it can be said that the Prowirl product line offers lifelong calibration if the measuring device is used in non-abrasive and non-corrosive media.

### Diagnostic functions

In addition, the device offers extensive diagnostic options, such as tracking fluid and ambient temperatures, extreme flows etc.

The following minimum and maximum values are tracked in the measuring device and saved for diagnostic purposes:

- Frequency
- Temperature
- Velocity
- Pressure

### Inspection concept

According to the requirements of the ERCB (Canada), in certain applications the owner-operator of a plant is required to maintain a servicing interval of 12 months.


The condition of the primary measurement element must be checked during these servicing activities. The aim is to be able to ensure a repeatable measurement. Maintenance can be either by way of visual inspection or in line with the recommendations of the equipment manufacturer.

With its unique inspection concept for Prowirl C 200 Endress+Hauser has developed a solution that makes it possible to:

- meet these requirements
- perform maintenance on the installed device
- perform a visual inspection
- deliver an opinion about the measurement quality by measuring the edges of the bluff body.

This inspection concept is available via the *order code "Sensor option", option CR "ERCB Dir. 017 inspection ports"*.



Detailed information on the inspection kit (→  37)



For detailed information on the inspection ports, see the Special Documentation for the device (→  67)

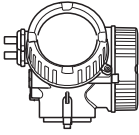
**Measuring system**

The device consists of a transmitter and a sensor.

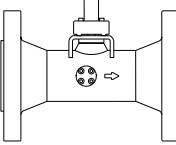
Two device versions are available:

- Compact version - the transmitter and sensor form a mechanical unit.
- Remote version – the transmitter and sensor are mounted separately from one another.

**Transmitter**

<p><b>Prowirl 200</b></p>  <p style="text-align: right; font-size: small;">A0013471</p>	<p>Device versions and materials: Compact or remote version, aluminum coated: Aluminum, AlSi10Mg, coated</p> <p>Configuration:</p> <ul style="list-style-type: none"> <li>■ Via four-line local display with key operation or via four-line, illuminated local display with touch control and guided menus ("Make-it-run" wizards) for applications</li> <li>■ Via operating tools (e.g. FieldCare)</li> </ul>
--	--

**Sensor**

<p><b>Prowirl C</b></p>  <p style="text-align: right; font-size: small;">A0020335</p>	<p>Carbon steel flanged version for use with process pressures, Class 600/Sch. 80, Cl. 900/Sch. 160:</p> <ul style="list-style-type: none"> <li>■ Nominal diameter range: DN 50 to 150 (2 to 6")</li> <li>■ Materials:             <ul style="list-style-type: none"> <li>- Measuring tubes: carbon steel, multiple certifications, SA-106 Grade B, SA-333 Grade 6</li> <li>- Process connections: carbon steel, multiple certifications, SA-105, SA-350 LF2 (1)</li> </ul> </li> <li>■ Order code for "Sensor option": ERCB Dir. 017, version with inspection ports</li> <li>■ Also available as butt-weld version</li> </ul>
--	--

## Input

**Measured variable**

**Direct measured variables**

Order code for "Sensor version":  
Option 4 "Volume flow, Alloy 718":  
Volume flow

Order code for "Sensor version":  
Option 6 "Mass flow, Alloy 718":  
- Volume flow  
- Temperature

**Calculated measured variables**

Order code for "Sensor version":  
Option 4 "Volume flow, Alloy 718":  
- In the case of constant process conditions: Mass flow <sup>1)</sup> or Corrected volume flow  
- The totalized values for Volume flow, Mass flow, or Corrected volume flow

Order code for "Sensor version":  
Option 6 "Mass flow, Alloy 718":  
- Corrected volume flow  
- Mass flow  
- Calculated saturated steam pressure  
- Energy flow  
- Heat flow difference  
- Specific volume  
- Degrees of superheat

1) A fixed density must be entered for calculating the mass flow (Setup menu → Advanced setup submenu → External compensation submenu → Fixed density parameter).

**Measuring range**

The measuring range depends on the fluid and nominal diameter.

**Lower range value**

Depends on the density and the Reynolds number ( $Re_{\min} = 5\,000$ ,  $Re_{\text{linear}} = 20\,000$ ). The Reynolds number is dimensionless and indicates the ratio of the inertia force of a fluid to its viscous force. It is used to characterize the flow. The Reynolds number is calculated as follows:

$$Re = \frac{4 \cdot Q \text{ [m}^3\text{/s]} \cdot \rho \text{ [kg/m}^3\text{]}}{\pi \cdot di \text{ [m]} \cdot \mu \text{ [Pa}\cdot\text{s]}} \quad Re = \frac{4 \cdot Q \text{ [ft}^3\text{/s]} \cdot \rho \text{ [lb/ft}^3\text{]}}{\pi \cdot di \text{ [ft]} \cdot \mu \text{ [0.001 cP]}}$$

A0003794

$Re =$  Reynolds number;  $Q =$  flow;  $di =$  internal diameter;  $\mu =$  dynamic viscosity,  $\rho =$  density

$$\begin{aligned} \text{DN 50...150} &\rightarrow v_{\min.} = \frac{6}{\sqrt{\rho \text{ [kg/m}^3\text{]}}} \text{ [m/s]} \\ \text{DN 2...6"} &\rightarrow v_{\min.} = \frac{4.92}{\sqrt{\rho \text{ [lb/ft}^3\text{]}}} \text{ [ft/s]} \end{aligned}$$

A0020558

**Upper range value****Liquids:**

The upper range value must be calculated as follows:

$$v_{\max} = 9 \text{ m/s (30 ft/s)} \text{ and } v_{\max} = 350/\sqrt{\rho} \text{ m/s (130}/\sqrt{\rho} \text{ ft/s)}$$

► Use the lower value.

*Gas/steam:*

Nominal diameter	$v_{\max}$
Standard device: DN 50 to 150 (2 to 6")	120 m/s (394 ft/s) and $350/\sqrt{\rho}$ m/s ( $130/\sqrt{\rho}$ ft/s) (Use the lower value.) Calibrated range: up to 75 m/s (246 ft/s)



For information about the Applicator (→ 65)

**Operable flow range**

Up to 45: 1 (ratio between lower and upper range value)

**Input signal****External measured values**

To increase the accuracy of certain measured variables or to calculate the corrected volume flow, the automation system can continuously write different measured values to the measuring device:

- Operating pressure to increase accuracy (Endress+Hauser recommends the use of a pressure measuring device for absolute pressure, e.g. Cerabar M or Cerabar S)
- Medium temperature to increase accuracy (e.g. iTEMP)
- Reference density for calculating the corrected volume flow



- Various pressure transmitters can be ordered from Endress+Hauser: see "Accessories" section (→ 66)
- Please comply with the special mounting instructions when using pressure transmitters (→ 37)

It is recommended to read in external measured values to calculate the following measured variables:

- Energy flow
- Mass flow
- Corrected volume flow



*HART protocol*

The measured values are written from the automation system to the measuring device via the HART protocol. The pressure transmitter must support the following protocol-specific functions:

- HART protocol
- Burst mode

*Current input*

The measured values are written from the automation system to the measuring device via the current input.

*Fieldbuses*

The measured values can be written from the automation system to the measuring via:

- PROFIBUS PA
- FOUNDATION Fieldbus

**Current input**

<b>Current input</b>	4 to 20 mA (passive)
<b>Resolution</b>	1 µA
<b>Voltage drop</b>	Typically: 2.2 to 3 V for 3.6 to 22 mA
<b>Maximum voltage</b>	≤ 35 V
<b>Possible input variables</b>	<ul style="list-style-type: none"> <li>■ Pressure</li> <li>■ Temperature</li> <li>■ Density</li> </ul>


## Output

**Output signal**

**Current output**

<b>Current output 1</b>	4-20 mA HART (passive)
<b>Current output 2</b>	4-20 mA (passive)
<b>Resolution</b>	<1 µA
<b>Damping</b>	Adjustable: 0.0 to 999.9 s
<b>Assignable measured variables</b>	<ul style="list-style-type: none"> <li>■ Volume flow</li> <li>■ Corrected volume flow</li> <li>■ Mass flow</li> <li>■ Flow velocity</li> <li>■ Temperature</li> <li>■ Calculated saturated steam pressure</li> <li>■ Total mass flow</li> <li>■ Energy flow</li> <li>■ Heat flow difference</li> </ul>

**Pulse/frequency/switch output**

<b>Function</b>	Can be set to pulse, frequency or switch output
<b>Version</b>	Passive, open collector
<b>Maximum input values</b>	<ul style="list-style-type: none"> <li>■ DC 35 V</li> <li>■ 50 mA</li> </ul>  For information on the Ex connection values (→ 12)
<b>Voltage drop</b>	<ul style="list-style-type: none"> <li>■ For ≤2 mA: 2 V</li> <li>■ For 10 mA: 8 V</li> </ul>

<b>Residual current</b>	≤0.05 mA
<b>Pulse output</b>	
<b>Pulse width</b>	Adjustable: 5 to 2 000 ms
<b>Maximum pulse rate</b>	100 Impulse/s
<b>Pulse value</b>	Adjustable
<b>Assignable measured variables</b>	<ul style="list-style-type: none"> <li>▪ Total volume flow</li> <li>▪ Total corrected volume flow</li> <li>▪ Total mass flow</li> <li>▪ Total energy flow</li> <li>▪ Total heat flow difference</li> </ul>
<b>Frequency output</b>	
<b>Output frequency</b>	Adjustable: 0 to 1 000 Hz
<b>Damping</b>	Adjustable: 0 to 999 s
<b>Pulse/pause ratio</b>	1:1
<b>Assignable measured variables</b>	<ul style="list-style-type: none"> <li>▪ Volume flow</li> <li>▪ Corrected volume flow</li> <li>▪ Mass flow</li> <li>▪ Flow velocity</li> <li>▪ Temperature</li> <li>▪ Calculated saturated steam pressure</li> <li>▪ Steam quality</li> <li>▪ Total mass flow</li> <li>▪ Energy flow</li> <li>▪ Heat flow difference</li> </ul>
<b>Switch output</b>	
<b>Switching behavior</b>	Binary, conductive or non-conductive
<b>Switching delay</b>	Adjustable: 0 to 100 s
<b>Number of switching cycles</b>	Unlimited
<b>Assignable functions</b>	<ul style="list-style-type: none"> <li>▪ Off</li> <li>▪ On</li> <li>▪ Diagnostic behavior</li> <li>▪ Limit value <ul style="list-style-type: none"> <li>- Volume flow</li> <li>- Corrected volume flow</li> <li>- Mass flow</li> <li>- Flow velocity</li> <li>- Temperature</li> <li>- Calculated saturated steam pressure</li> <li>- Steam quality</li> <li>- Total mass flow</li> <li>- Energy flow</li> <li>- Heat flow difference</li> <li>- Reynolds number</li> <li>- Totalizer 1-3</li> </ul> </li> <li>▪ Status</li> <li>▪ Status of low flow cut off</li> </ul>

**FOUNDATION Fieldbus**

<b>Signal encoding</b>	Manchester Bus Powered (MBP)
<b>Data transfer</b>	31.25 KBit/s, Voltage mode

**PROFIBUS PA**

<b>Signal encoding</b>	Manchester Bus Powered (MBP)
<b>Data transfer</b>	31.25 KBit/s, Voltage mode

**Signal on alarm**

Depending on the interface, failure information is displayed as follows:

**Current output**

*HART*

<b>Device diagnostics</b>	Device condition can be read out via HART Command 48
---------------------------	--

**Pulse/frequency/switch output**

<b>Pulse output</b>	
<b>Failure mode</b>	No pulses
<b>Frequency output</b>	
<b>Failure mode</b>	Choose from: <ul style="list-style-type: none"> <li>▪ Actual value</li> <li>▪ Defined value: 0 to 1 250 Hz</li> <li>▪ 0 Hz</li> </ul>
<b>Switch output</b>	
<b>Failure mode</b>	Choose from: <ul style="list-style-type: none"> <li>▪ Current status</li> <li>▪ Open</li> <li>▪ Closed</li> </ul>

**FOUNDATION Fieldbus**

<b>Status and alarm messages</b>	Diagnostics in accordance with FF-912
<b>Error current FDE (Fault Disconnection Electronic)</b>	0 mA

**PROFIBUS PA**

<b>Status and alarm messages</b>	Diagnostics in accordance with PROFIBUS PA Profile 3.02
<b>Error current FDE (Fault Disconnection Electronic)</b>	0 mA

**Local display**



<b>Plain text display</b>	With information on cause and remedial measures
<b>Backlight</b>	Additionally for device version with SD03 local display: red lighting indicates a device error.

 Status signal as per NAMUR recommendation NE 107

**Operating tool**

- Via digital communication:
  - HART protocol
  - FOUNDATION Fieldbus
  - PROFIBUS PA
- Via service interface

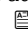
Plain text display	With information on cause and remedial measures
--------------------	---

 Additional information on remote operation (→  58)

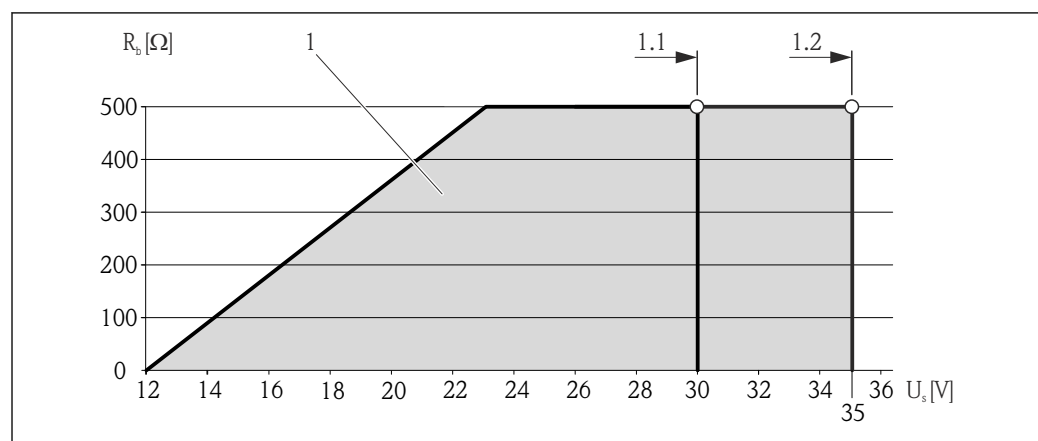
**Load**

Load for current output: 0 to 500 Ω, depending on the external supply voltage of the power supply unit

**Calculation of the maximum load**

Depending on the supply voltage of the power supply unit ( $U_S$ ), the maximum load ( $R_B$ ) including line resistance must be observed to ensure adequate terminal voltage at the device. In doing so, observe the minimum terminal voltage (→  22)

- $R_B \leq (U_S - U_{\text{term. min}}) : 0.022 \text{ A}$
- $R_B \leq 500 \Omega$



 2 Load for a compact version without local operation

1 Operating range

1.1 For order code for "Output", option A "4-20 mA HART"/option B "4-20 mA HART, pulse/frequency/switch output" with Ex i and option C "4-20 mA HART, 4-20 mA"

1.2 For order code for "Output", option A "4-20 mA HART"/option B "4-20 mA HART, pulse/frequency/switch output" with non-Ex and Ex d



**Sample calculation**

Supply voltage of the supply unit:

-  $U_S = 19 \text{ V}$

-  $U_{\text{term. min}} = 12 \text{ V}$  (measuring device) + 1 V (local operation without lighting) = 13 V

Maximum load:  $R_B \leq (19 \text{ V} - 13 \text{ V}) : 0.022 \text{ A} = 273 \Omega$

 The minimum terminal voltage ( $U_{\text{term. min}}$ ) increases if local operation is used (→  23).

**Ex connection data****Safety-related values**

Type of protection XP

Order code for "Output"	Output type	Safety-related values
Option A	4-20mA HART	$U_{nom} = DC 35 V$ $U_{max} = 250 V$
Option B	4-20mA HART	$U_{nom} = DC 35 V$ $U_{max} = 250 V$
	Pulse/frequency/switch output	$U_{nom} = DC 35 V$ $U_{max} = 250 V$ $P_{max} = 1 W$ <sup>1)</sup>
Option C	4-20mA HART	$U_{nom} = DC 30 V$ $U_{max} = 250 V$
	4-20mA	
Option D	4-20mA HART	$U_{nom} = DC 35 V$ $U_{max} = 250 V$
	Pulse/frequency/switch output	$U_{nom} = DC 35 V$ $U_{max} = 250 V$ $P_{max} = 1 W$
	4 to 20 mA current input	$U_{nom} = DC 35 V$ $U_{max} = 250 V$
Option E	FOUNDATION Fieldbus	$U_{nom} = DC 32 V$ $U_{max} = 250 V$ $P_{max} = 0.88 W$
	Pulse/frequency/switch output	$U_{nom} = DC 35 V$ $U_{max} = 250 V$ $P_{max} = 1 W$
Option G	PROFIBUS PA	$U_{nom} = DC 32 V$ $U_{max} = 250 V$ $P_{max} = 0.88 W$
	Pulse/frequency/switch output	$U_{nom} = DC 35 V$ $U_{max} = 250 V$ $P_{max} = 1 W$

1) Internal circuit limited by  $R_i = 760.5 \Omega$

Intrinsically safe values

IS type of protection

Order code for "Output"	Output type	Intrinsically safe values
Option A	4-20mA HART	$U_i = DC 30 V$ $I_i = 300 mA$ $P_i = 1 W$ $L_i = 0 \mu H$ $C_i = 5 nF$
Option B	4-20mA HART	$U_i = DC 30 V$ $I_i = 300 mA$ $P_i = 1 W$ $L_i = 0 \mu H$ $C_i = 5 nF$
	Pulse/frequency/switch output	$U_i = DC 30 V$ $I_i = 300 mA$ $P_i = 1 W$ $L_i = 0 \mu H$ $C_i = 6 nF$
Option C	4-20mA HART	$U_i = DC 30 V$ $I_i = 300 mA$ $P_i = 1 W$ $L_i = 0 \mu H$

Order code for "Output"	Output type	Intrinsically safe values	
	4-20mA	$C_i = 30 \text{ nF}$	
Option D	4-20mA HART	$U_i = \text{DC } 30 \text{ V}$ $I_i = 300 \text{ mA}$ $P_i = 1 \text{ W}$ $L_i = 0 \text{ } \mu\text{H}$ $C_i = 5 \text{ nF}$	
	Pulse/frequency/switch output	$U_i = \text{DC } 30 \text{ V}$ $I_i = 300 \text{ mA}$ $P_i = 1 \text{ W}$ $L_i = 0 \text{ } \mu\text{H}$ $C_i = 6 \text{ nF}$	
	4 to 20 mA current input	$U_i = \text{DC } 30 \text{ V}$ $I_i = 300 \text{ mA}$ $P_i = 1 \text{ W}$ $L_i = 0 \text{ } \mu\text{H}$ $C_i = 5 \text{ nF}$	
Option E	FOUNDATION Fieldbus	STANDARD $U_i = 30 \text{ V}$ $I_i = 300 \text{ mA}$ $P_i = 1.2 \text{ W}$ $L_i = 10 \text{ } \mu\text{H}$ $C_i = 5 \text{ nF}$	FISCO $U_i = 17.5 \text{ V}$ $I_i = 550 \text{ mA}$ $P_i = 5.5 \text{ W}$ $L_i = 10 \text{ } \mu\text{H}$ $C_i = 5 \text{ nF}$
	Pulse/frequency/switch output	$U_i = 30 \text{ V}$ $I_i = 300 \text{ mA}$ $P_i = 1 \text{ W}$ $L_i = 0 \text{ } \mu\text{H}$ $C_i = 6 \text{ nF}$	
Option G	PROFIBUS PA	STANDARD $U_i = 30 \text{ V}$ $I_i = 300 \text{ mA}$ $P_i = 1.2 \text{ W}$ $L_i = 10 \text{ } \mu\text{H}$ $C_i = 5 \text{ nF}$	FISCO $U_i = 17.5 \text{ V}$ $I_i = 550 \text{ mA}$ $P_i = 5.5 \text{ W}$ $L_i = 10 \text{ } \mu\text{H}$ $C_i = 5 \text{ nF}$
	Pulse/frequency/switch output	$U_i = 30 \text{ V}$ $I_i = 300 \text{ mA}$ $P_i = 1 \text{ W}$ $L_i = 0 \text{ } \mu\text{H}$ $C_i = 6 \text{ nF}$	

**Low flow cut off** The switch points for low flow cut off are user-selectable.

**Galvanic isolation** All outputs are galvanically isolated from one another.

**Protocol-specific data** HART

Manufacturer ID	0x11
Device type ID	0x38
HART protocol revision	7
Device description files (DTM, DD)	Information and files under: <a href="http://www.endress.com">www.endress.com</a>
HART load	<ul style="list-style-type: none"> <li>▪ Min. 250 <math>\Omega</math></li> <li>▪ Max. 500 <math>\Omega</math></li> </ul>

<p><b>Dynamic variables</b></p>	<p>Read out the dynamic variables: HART command 3 The measured variables can be freely assigned to the dynamic variables.</p> <p><b>Measured variables for PV (primary dynamic variable)</b></p> <ul style="list-style-type: none"> <li>▪ Volume flow</li> <li>▪ Corrected volume flow</li> <li>▪ Mass flow</li> <li>▪ Flow velocity</li> <li>▪ Temperature</li> <li>▪ Calculated saturated steam pressure</li> <li>▪ Steam quality</li> <li>▪ Total mass flow</li> <li>▪ Energy flow</li> <li>▪ Heat flow difference</li> </ul> <p><b>Measured variables for SV, TV, QV (secondary, tertiary and quaternary dynamic variable)</b></p> <ul style="list-style-type: none"> <li>▪ Volume flow</li> <li>▪ Corrected volume flow</li> <li>▪ Mass flow</li> <li>▪ Flow velocity</li> <li>▪ Temperature</li> <li>▪ Calculated saturated steam pressure</li> <li>▪ Steam quality</li> <li>▪ Total mass flow</li> <li>▪ Energy flow</li> <li>▪ Heat flow difference</li> <li>▪ Condensate mass flow</li> <li>▪ Reynolds number</li> <li>▪ Totalizer 1</li> <li>▪ Totalizer 2</li> <li>▪ Totalizer 3</li> <li>▪ HART input</li> <li>▪ Density</li> <li>▪ Pressure</li> <li>▪ Specific volume</li> <li>▪ Degree of overheating</li> </ul>
<p><b>Device variables</b></p>	<p>Read out the device variables: HART command 9 The device variables are permanently assigned.</p> <p>A maximum of 8 device variables can be transmitted:</p> <ul style="list-style-type: none"> <li>▪ 0 = volume flow</li> <li>▪ 1 = corrected volume flow</li> <li>▪ 2 = Mass flow</li> <li>▪ 3 = flow velocity</li> <li>▪ 4 = temperature</li> <li>▪ 5 = calculated saturated steam pressure</li> <li>▪ 6 = steam quality</li> <li>▪ 7 = total mass flow</li> <li>▪ 8 = energy flow</li> <li>▪ 9 = heat flow difference</li> <li>▪ 10 = condensate mass flow</li> <li>▪ 11 = Reynolds number</li> <li>▪ 12 = totalizer 1</li> <li>▪ 13 = totalizer 2</li> <li>▪ 14 = totalizer 3</li> <li>▪ 15 = HART input</li> <li>▪ 16 = density</li> <li>▪ 17 = pressure</li> <li>▪ 18 = specific volume</li> <li>▪ 19 = degree of overheating</li> </ul>

**FOUNDATION Fieldbus**

<p><b>Manufacturer ID</b></p>	<p>0x452B48</p>
<p><b>Ident number</b></p>	<p>0x1038</p>
<p><b>Device revision</b></p>	<p>1</p>

<b>DD revision</b>	Information and files under:
<b>CFF revision</b>	<ul style="list-style-type: none"> <li>▪ <a href="http://www.endress.com">www.endress.com</a></li> <li>▪ <a href="http://www.fieldbus.org">www.fieldbus.org</a></li> </ul>
<b>Device Tester Version (ITK version)</b>	6.1.1
<b>ITK Test Campaign Number</b>	IT094200
<b>Link Master capability (LAS)</b>	Yes
<b>Choice of "Link Master" and "Basic Device"</b>	Yes Factory setting: Basic Device
<b>Node address</b>	Factory setting: 247 (0xF7)
<b>Supported functions</b>	The following methods are supported: <ul style="list-style-type: none"> <li>▪ Restart</li> <li>▪ ENP Restart</li> <li>▪ Diagnostic</li> </ul>
<b>Virtual Communication Relationships (VCRs)</b>	
<b>Number of VCRs</b>	44
<b>Number of link objects in VFD</b>	50
<b>Permanent entries</b>	1
<b>Client VCRs</b>	0
<b>Server VCRs</b>	10
<b>Source VCRs</b>	43
<b>Sink VCRs</b>	0
<b>Subscriber VCRs</b>	43
<b>Publisher VCRs</b>	43
<b>Device Link Capabilities</b>	
<b>Slot time</b>	4
<b>Min. delay between PDU</b>	8
<b>Max. response delay</b>	Min. 5


#### Transducer Blocks

<b>Block</b>	<b>Contents</b>	<b>Output values</b>
Setup Transducer Block (TRDSUP)	All parameters for standard commissioning.	No output values
Advanced Setup Transducer Block (TRDASUP)	All parameters for more accurate measurement configuration.	No output values
Display Transducer Block (TRDDISP)	Parameters for configuring the local display.	No output values
HistoROM Transducer Block (TRDHRM)	Parameters for using the HistoROM function.	No output values



Block	Contents	Output values
Diagnostic Transducer Block (TRDDIAG)	Diagnostics information.	Process variables (AI Channel) <ul style="list-style-type: none"> <li>▪ Mass flow (11)</li> <li>▪ Flow velocity (37)</li> <li>▪ Condensate mass flow (47)</li> <li>▪ Total mass flow (46)</li> <li>▪ Volume flow (9)</li> <li>▪ Corrected volume flow (13)</li> <li>▪ Temperature (7)</li> <li>▪ Calculated saturated steam pressure (45)</li> <li>▪ Steam quality (48)</li> <li>▪ Energy flow (38)</li> <li>▪ Heat flow difference (49)</li> <li>▪ Reynolds number (50)</li> </ul>
Expert Configuration Transducer Block (TRDEXP)	Parameters that require the user to have in-depth knowledge of the operation of the device in order to configure the parameters appropriately.	No output values
Expert Information Transducer Block (TRDEXPIN)	Parameters that provide information about the state of the device.	No output values
Service Sensor Transducer Block (TRDSRVS)	Parameters that can only be accessed by Endress+Hauser Service.	No output values
Service Information Transducer Block (TRDSRVIF)	Parameters that provide Endress+Hauser Service with information about the state of the device.	No output values
Total Inventory Counter Transducer Block (TRDTIC)	Parameters for configuring all the totalizers and the inventory counter.	Process variables (AI Channel) <ul style="list-style-type: none"> <li>▪ Totalizer 1 (16)</li> <li>▪ Totalizer 2 (17)</li> <li>▪ Totalizer 3 (18)</li> </ul>
Heartbeat Technology Transducer Block (TRDHBT)	Parameters for the configuration and comprehensive information about the results of the verification.	No output values
Heartbeat Results 1 Transducer Block (TRDHBTR1)	Information about the results of the verification.	No output values
Heartbeat Results 2 Transducer Block (TRDHBTR2)	Information about the results of the verification.	No output values
Heartbeat Results 3 Transducer Block (TRDHBTR3)	Information about the results of the verification.	No output values
Heartbeat Results 4 Transducer Block (TRDHBTR4)	Information about the results of the verification.	No output values

## Function blocks

Block	Number of blocks	Contents	Process variables (Channel)
Resource Block (RB)	1	This Block (extended functionality) contains all the data that uniquely identify the device; it is the equivalent of an electronic nameplate for the device.	–
Analog Input Block (AI)	4	This Block (extended functionality) receives the measurement data provided by the Sensor Block (can be selected via a channel number) and makes the data available for other blocks at the output. <b>Execution time:</b> 13 ms	<ul style="list-style-type: none"> <li>▪ Temperature (7)</li> <li>▪ Mass flow (11)</li> <li>▪ Volume flow (9)</li> <li>▪ Corrected volume flow (13)</li> <li>▪ Flow velocity (37)</li> <li>▪ Energy flow (38)</li> <li>▪ Calculated saturated steam pressure (45)</li> <li>▪ Total mass flow (46)</li> <li>▪ Condensate mass flow (47)</li> <li>▪ Steam quality (48)</li> <li>▪ Heat flow difference (49)</li> <li>▪ Reynolds number (50)</li> </ul>
Discrete Input Block (DI)	1	This Block (standard functionality) receives a discrete value (e.g. indicator that measuring range has been exceeded) and makes the value available for other blocks at the output. <b>Execution time:</b> 12 ms	<ul style="list-style-type: none"> <li>▪ Status switch output (101)</li> <li>▪ Low flow cutoff (103)</li> <li>▪ Status verification (105)</li> </ul>
PID Block (PID)	1	This Block (standard functionality) acts as a proportional-integral-differential controller and can be used universally for control in the field. It enables cascading and feedforward control. <b>Execution time:</b> 13 ms	–
Multiple Analog Output Block (MAO)	1	This Block (standard functionality) receives several analog values and makes them available for other blocks at the output. <b>Execution time:</b> 11 ms	<p>Channel_0 (121)</p> <ul style="list-style-type: none"> <li>▪ Value 1: External compensation variables (pressure, gage pressure, density, temperature or second temperature)</li> <li>▪ Value 2 to 8: Not assigned</li> </ul> <p> The compensation variables must be transmitted to the device in the SI basic unit.</p>

Block	Number of blocks	Contents	Process variables (Channel)
Multiple Digital Output Block (MDO)	1	This Block (standard functionality) receives several discrete values and makes them available for other blocks at the output. <b>Execution time:</b> 14 ms	Channel_DO (122) <ul style="list-style-type: none"> <li>▪ Value 1: Reset totalizer 1</li> <li>▪ Value 2: Reset totalizer 2</li> <li>▪ Value 3: Reset totalizer 3</li> <li>▪ Value 4: Flow override</li> <li>▪ Value 5: Start heartbeat verification</li> <li>▪ Value 6: Status switch output</li> <li>▪ Value 7: Not assigned</li> <li>▪ Value 8: Not assigned</li> </ul>
Integrator Block (IT)	1	This Block (standard functionality) integrates a measured variable over time or totalizes the pulses from a Pulse Input Block. The Block can be used as a totalizer that totalizes until a reset, or as a batch totalizer whereby the integrated value is compared against a target value generated before or during the control routine and generates a binary signal when the target value is reached. <b>Execution time:</b> 16 ms	-

**PROFIBUS PA**

<b>Manufacturer ID</b>	0x11
<b>Ident number</b>	0x1564
<b>Profile version</b>	3.02
<b>Device description files (GSD, DTM, DD)</b>	Information and files under: <ul style="list-style-type: none"> <li>▪ <a href="http://www.endress.com">www.endress.com</a></li> <li>▪ <a href="http://www.profibus.org">www.profibus.org</a></li> </ul>
<b>Output values</b> (from measuring device to automation system)	<p><b>Analog input 1 to 4</b></p> <ul style="list-style-type: none"> <li>▪ Mass flow</li> <li>▪ Volume flow</li> <li>▪ Corrected volume flow</li> <li>▪ Density</li> <li>▪ Reference density</li> <li>▪ Temperature</li> <li>▪ Pressure</li> <li>▪ Specific volume</li> <li>▪ Degree of overheating</li> </ul> <p><b>Digital input 1 to 2</b></p> <ul style="list-style-type: none"> <li>▪ Status</li> <li>▪ Low flow cut off</li> <li>▪ Switch output</li> </ul> <p><b>Totalizer 1 to 3</b></p> <ul style="list-style-type: none"> <li>▪ Mass flow</li> <li>▪ Volume flow</li> <li>▪ Corrected volume flow</li> </ul>
<b>Input values</b> (from automation system to measuring device)	<p><b>Analog output</b> External pressure, gage pressure, density, temperature or second temperature (for delta heat measurement)</p> <p><b>Digital output 1 to 3 (fixed assignment)</b></p> <ul style="list-style-type: none"> <li>▪ Digital output 1: switch positive zero return on/off</li> <li>▪ Digital output 2: switch switch output on/off</li> <li>▪ Digital output 3: Start verification</li> </ul> <p><b>Totalizer 1 to 3</b></p> <ul style="list-style-type: none"> <li>▪ Totalize</li> <li>▪ Reset and hold</li> <li>▪ Preset and hold</li> </ul>

<b>Supported functions</b>	<ul style="list-style-type: none"> <li>▪ Identification &amp; Maintenance Simplest device identification on the part of the control system and nameplate</li> <li>▪ PROFIBUS upload/download Reading and writing parameters is up to ten times faster with PROFIBUS upload/download</li> <li>▪ Condensed status Simplest and self-explanatory diagnostic information by categorizing diagnostic messages that occur</li> </ul>
<b>Configuration of the device address</b>	<ul style="list-style-type: none"> <li>▪ DIP switches on the I/O electronics module</li> <li>▪ Local display</li> <li>▪ Via operating tools (e.g. FieldCare)</li> </ul>

## Power supply

### Terminal assignment

### Transmitter

#### Connection versions

<p><i>Maximum number of terminals</i> Terminals 1 to 6: Without integrated overvoltage protection</p>	<p><i>Maximum number of terminals for order code for "Accessory mounted", option NA "Overvoltage protection"</i></p> <ul style="list-style-type: none"> <li>▪ Terminals 1 to 4: With integrated overvoltage protection</li> <li>▪ Terminals 5 to 6: Without integrated overvoltage protection</li> </ul>
<p>1 Output 1 (passive): supply voltage and signal transmission                  2 Output 2 (passive): supply voltage and signal transmission                  3 Input (passive): supply voltage and signal transmission                  4 Ground terminal for cable shield</p>	

Order code for "Output"	Terminal numbers					
	Output 1		Output 2		Input	
	1 (+)	2 (-)	3 (+)	4 (-)	5 (+)	6 (-)
Option A	4-20 mA HART (passive)		-		-	
Option B <sup>1)</sup>	4-20 mA HART (passive)		Pulse/frequency/switch output (passive)		-	
Option C <sup>1)</sup>	4-20 mA HART (passive)		4-20 mA (passive)		-	
Option D <sup>1) 2)</sup>	4-20 mA HART (passive)		Pulse/frequency/switch output (passive)		4-20 mA current input (passive)	

Order code for "Output"	Terminal numbers					
	Output 1		Output 2		Input	
	1 (+)	2 (-)	3 (+)	4 (-)	5 (+)	6 (-)
Option <b>E</b> <sup>1) 3)</sup>	FOUNDATION Fieldbus		Pulse/frequency/switch output (passive)		-	
Option <b>G</b> <sup>1) 4)</sup>	PROFIBUS PA		Pulse/frequency/switch output (passive)		-	

- 1) Output 1 must always be used; output 2 is optional.
- 2) The integrated overvoltage protection is not used with option D: Terminals 5 and 6 (current input) are not protected against overvoltage.
- 3) FOUNDATION Fieldbus with integrated reverse polarity protection.
- 4) PROFIBUS PA with integrated reverse polarity protection.

**Remote version**

In the case of the remote version, the sensor and transmitter are mounted separately from one another and connected by a connecting cable. The sensor is connected via the connection housing while the transmitter is connected via the connection compartment of the wall holder unit.

**i** The way the transmitter wall holder is connected depends on the measuring device approval and the version of the connecting cable used.

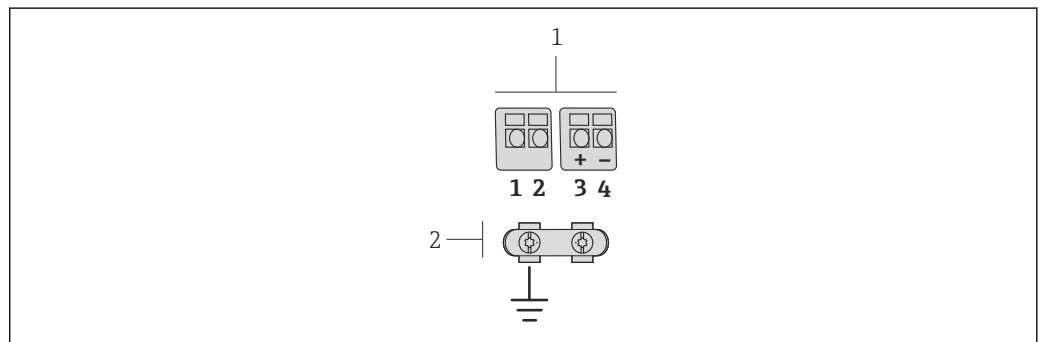
Connection is only possible via terminals:

- For approvals Ex n, Ex tb and cCSAus Div. 1
- If a reinforced connecting cable is used

The connection is via an M12 connector:

- For all other approvals
- If the standard connecting cable is used

Connection to the connection housing of the sensor is always via terminals.

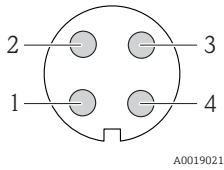


**3** Terminals for connection compartment in the transmitter wall holder and the sensor connection housing

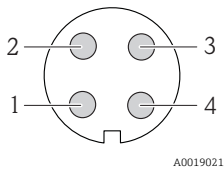
- 1 Terminals for connecting cable
- 2 Grounding via the cable strain relief

Terminal number	Assignment	Cable color Connecting cable
1	Supply voltage	Brown
2	Grounding	White
3	RS485 (+)	Yellow
4	RS485 (-)	Green

**Pin assignment, device plug PROFIBUS PA***Device plug for signal transmission (device side)*

	Pin	Assignment		Coding	Plug/socket
	1	+	PROFIBUS PA +	A	Plug
	2		Grounding		
	3	-	PROFIBUS PA -		
4		Not assigned			

**FOUNDATION Fieldbus***Device plug for signal transmission (device side)*

	Pin	Assignment		Coding	Plug/socket
	1	+	Signal +	A	Plug
	2	-	Signal -		
	3		Not assigned		
4		Grounding			

**Supply voltage****Transmitter**

An external power supply is required for each output.

*Supply voltage for a compact version without a local display <sup>1)</sup>*

Order code for "Output"	Minimum terminal voltage <sup>2)</sup>	Maximum terminal voltage
Option A: 4-20 mA HART	≥DC 12 V	DC 35 V
Option B: 4-20 mA HART, pulse/frequency/switch output	≥DC 12 V	DC 35 V
Option C: 4-20 mA HART, 4-20 mA	≥DC 12 V	DC 30 V
Option D: 4-20 mA HART, pulse/frequency/switch output, 4-20 mA current input <sup>3)</sup>	≥DC 12 V	DC 35 V
Option E : FOUNDATION Fieldbus, pulse/frequency/switch output	≥DC 9 V	DC 32 V
Option G: PROFIBUS PA, pulse/frequency/switch output	≥DC 9 V	DC 32 V



- 1) In event of external supply voltage of the power supply unit with load, the PROFIBUS DP/PA coupler or FOUNDATION Fieldbus power conditioners
- 2) The minimum terminal voltage increases if local operation is used: see the following table
- 3) Voltage drop 2.2 to 3 V for 3.59 to 22 mA

*Increase in minimum terminal voltage*

Local operation	Increase in minimum terminal voltage
Order code for "Display; Operation", option C: Local operation SD02	+ DC 1 V
Order code for "Display; Operation", option E: Local operation SD03 with lighting (backlighting <b>not used</b> )	+ DC 1 V
Order code for "Display; Operation", option E: Local operation SD03 with lighting (backlighting <b>used</b> )	+ DC 3 V

 For information about the load see (→  12)

 Various power supply units can be ordered from Endress+Hauser: see "Accessories" section (→  66)

 For information on the Ex connection values (→  12)

**Power consumption**

**Transmitter**


Order code for "Output"	Maximum power consumption
Option A: 4-20 mA HART	770 mW
Option B: 4-20 mA HART, pulse/ frequency/switch output	<ul style="list-style-type: none"> <li>▪ Operation with output 1: 770 mW</li> <li>▪ Operation with output 1 and 2: 2 770 mW</li> </ul>
Option C: 4-20 mA HART, 4-20 mA	<ul style="list-style-type: none"> <li>▪ Operation with output 1: 660 mW</li> <li>▪ Operation with output 1 and 2: 1 320 mW</li> </ul>
Option D: 4-20 mA HART, pulse/ frequency/switch output, 4-20 mA current input	<ul style="list-style-type: none"> <li>▪ Operation with output 1: 770 mW</li> <li>▪ Operation with output 1 and 2: 2 770 mW</li> <li>▪ Operation with output 1 and input: 840 mW</li> <li>▪ Operation with output 1, 2 and input: 2 840 mW</li> </ul>
Option E: FOUNDATION Fieldbus, pulse/ frequency/switch output	<ul style="list-style-type: none"> <li>▪ Operation with output 1: 512 mW</li> <li>▪ Operation with output 1 and 2: 2 512 mW</li> </ul>
Option G: PROFIBUS PA, pulse/frequency/ switch output	<ul style="list-style-type: none"> <li>▪ Operation with output 1: 512 mW</li> <li>▪ Operation with output 1 and 2: 2 512 mW</li> </ul>

 For information on the Ex connection values (→  12)

**Current consumption**

**Current output**

For every 4-20 mA or 4-20 mA HART current output: 3.6 to 22.5 mA

 If the option **Defined value** is selected in the **Failure mode** parameter (→  11):  
3.59 to 22.5 mA

**Current input**

3.59 to 22.5 mA

 Internal current limiting: max. 26 mA

**PROFIBUS PA**

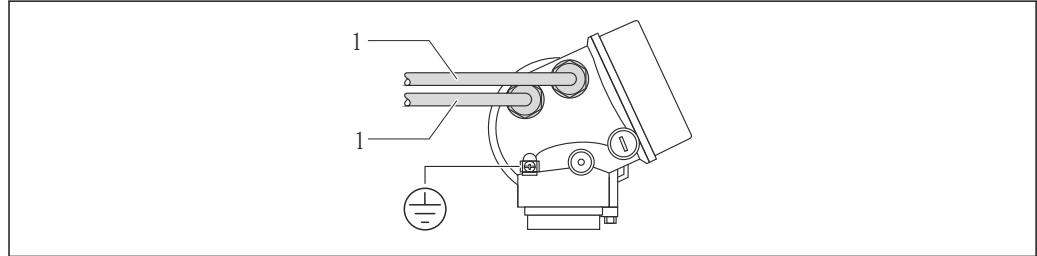
15 mA

**FOUNDATION Fieldbus**

15 mA

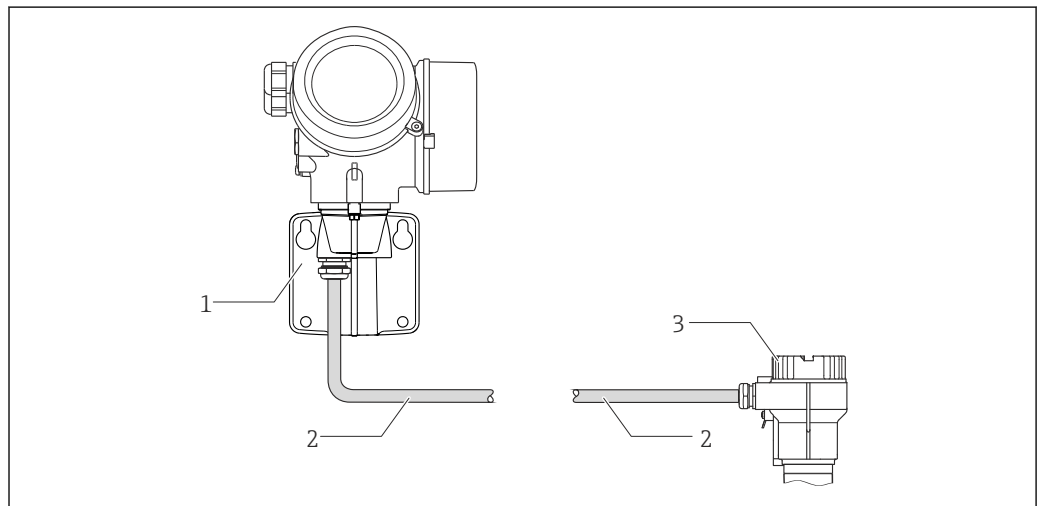
**Power supply failure**

- Totalizers stop at the last value measured.
- Configuration is retained in the device memory (HistoROM).
- Error messages (incl. total operated hours) are stored.

**Electrical connection****Connecting the transmitter**

A0020740

1 Cable entries for inputs/outputs

**Remote version connection***Connecting cable*

A0019727

4 Connecting cable connection

- 1 Wall holder with connection compartment (transmitter)  
 2 Connecting cable  
 3 Sensor connection housing

**i** The way the transmitter wall holder is connected depends on the measuring device approval and the version of the connecting cable used.

Connection is only possible via terminals:

- For approvals Ex n, Ex tb and cCSAus Div. 1
- If a reinforced connecting cable is used

The connection is via an M12 connector:

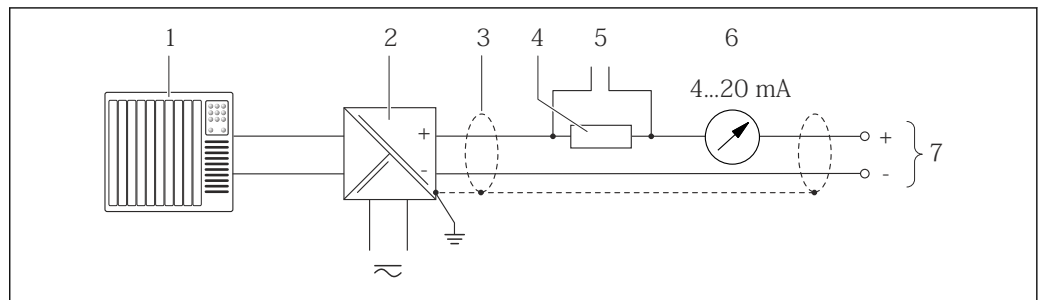
- For all other approvals
- If the standard connecting cable is used

Connection to the connection housing of the sensor is always via terminals.



Connection examples

Current output 4-20 mA HART

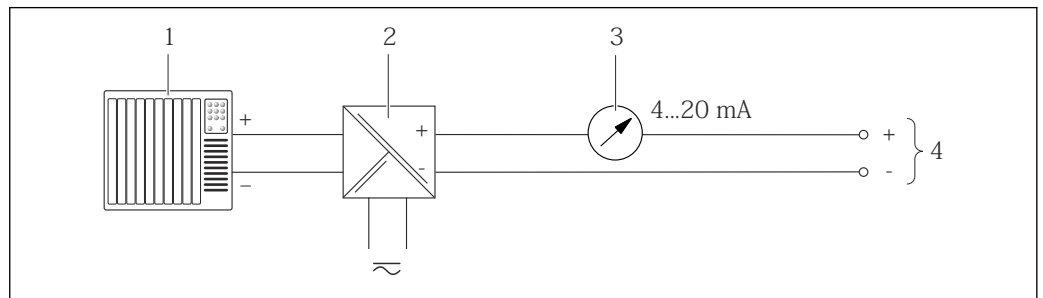


A0015511

5 Connection example for 4-20 mA HART current output (passive)

- 1 Automation system with current input (e.g. PLC)
- 2 Active barrier for power supply (e.g. RN221N) (→ 29)
- 3 Cable shield, observe cable specifications (→ 29)
- 4 Resistor for HART communication ( $\geq 250 \Omega$ ): observe maximum load (→ 12)
- 5 Connection for HART operating devices (→ 58)
- 6 Analog display unit: observe maximum load (→ 12)
- 7 Transmitter

Current output 4-20 mA

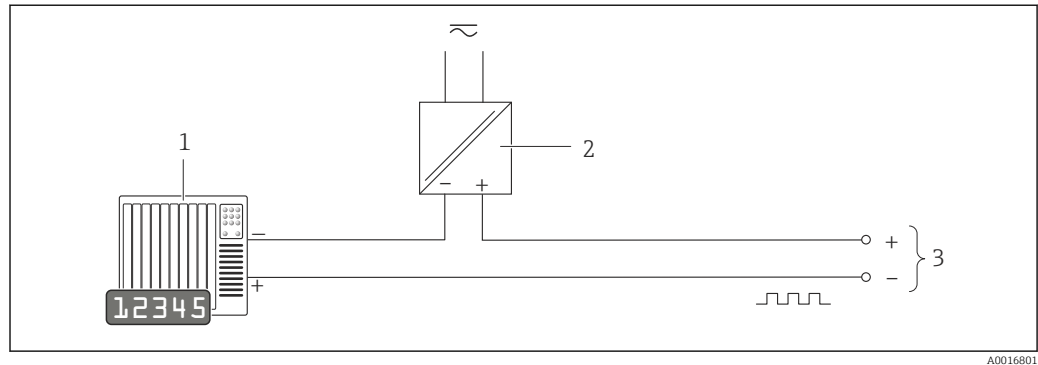


A0015512

6 Connection example for 4-20 mA current output (passive)

- 1 Automation system with current input (e.g. PLC)
- 2 Active barrier for power supply (e.g. RN221N) (→ 22)
- 3 Analog display unit: observe maximum load (→ 12)
- 4 Transmitter

## Pulse/frequency output

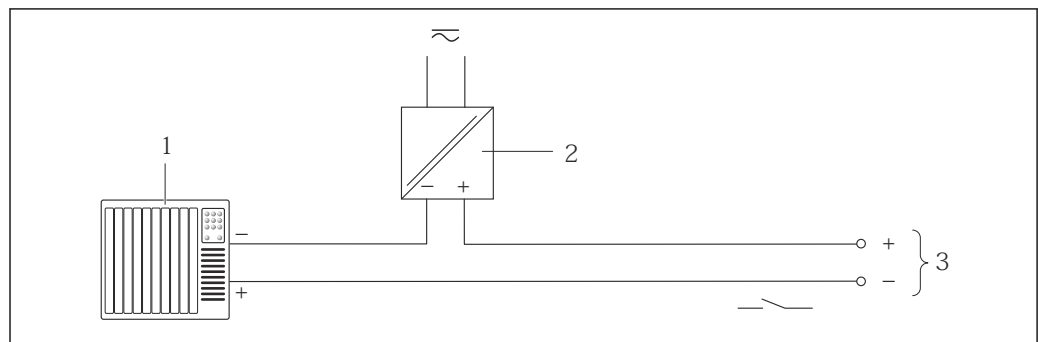


A0016801

7 Connection example for pulse/frequency output (passive)

- 1 Automation system with pulse/frequency input (e.g. PLC)
- 2 Power supply
- 3 Transmitter: observe input values (→ 9)

## Switch output

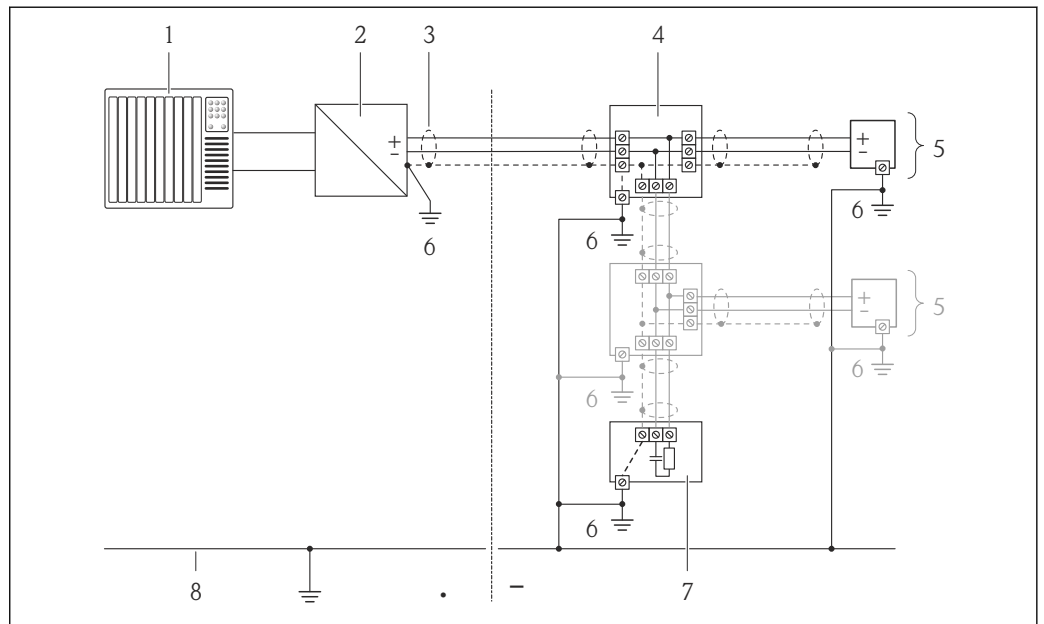


A0016802

8 Connection example for switch output (passive)

- 1 Automation system with switch input (e.g. PLC)
- 2 Power supply
- 3 Transmitter: observe input values (→ 9)

PROFIBUS-PA

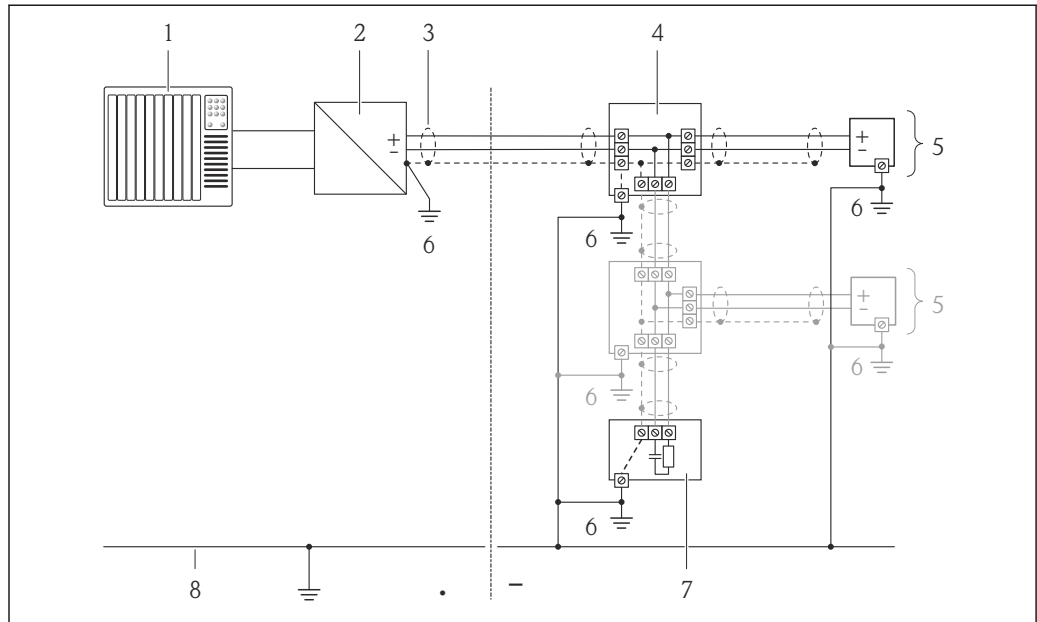


A0019004

9 Connection example for PROFIBUS-PA

- 1 Control system (e.g. PLC)
- 2 Segment coupler PROFIBUS DP/PA
- 3 Cable shield
- 4 T-box
- 5 Measuring device
- 6 Local grounding
- 7 Bus terminator
- 8 Potential matching line

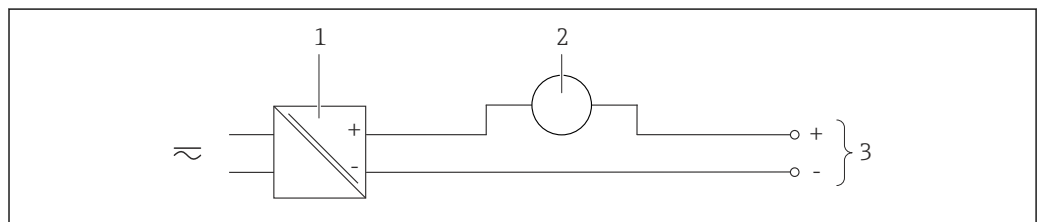
FOUNDATION Fieldbus



10 Connection example for FOUNDATION Fieldbus

- 1 Control system (e.g. PLC)
- 2 Power Conditioner (FOUNDATION Fieldbus)
- 3 Cable shield
- 4 T-box
- 5 Measuring device
- 6 Local grounding
- 7 Bus terminator
- 8 Potential matching line

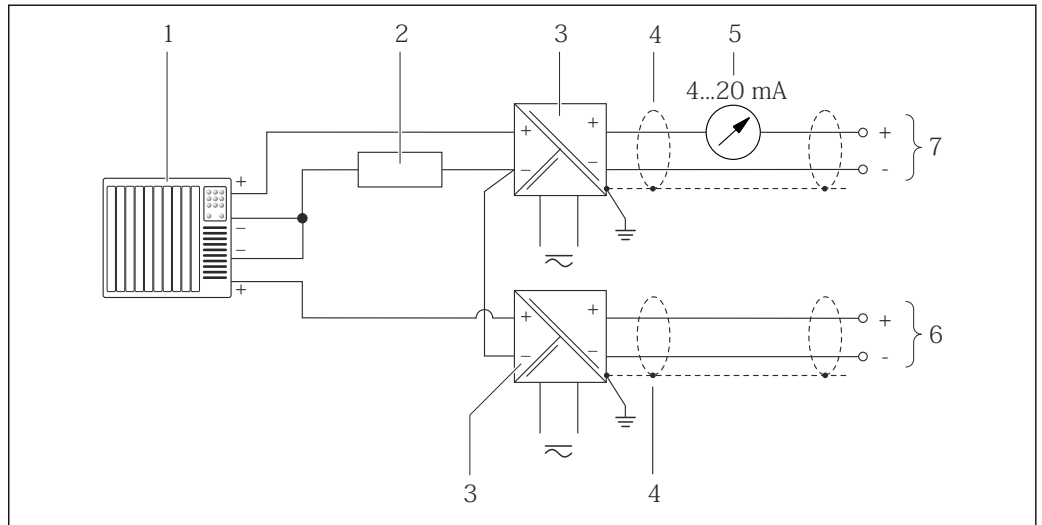
Current input



11 Connection example for 4-20 mA current input

- 1 Power supply
- 2 External measuring device (for reading in pressure or temperature, for instance)
- 3 Transmitter: observe input values (→ 9)

HART input



12 Connection example for HART input with a common negative

- 1 Automation system with HART output (e.g. PLC)
- 2 Resistor for HART communication ( $\geq 250 \Omega$ ): observe maximum load ( $\rightarrow$  12)
- 3 Active barrier for power supply (e.g. RN221N) ( $\rightarrow$  22)
- 4 Cable shield, observe cable specifications ( $\rightarrow$  29)
- 5 Analog display unit: observe maximum load ( $\rightarrow$  12)
- 6 Pressure transmitter (e.g. Cerabar M, Cerabar S): see requirements ( $\rightarrow$  8)
- 7 Transmitter

A0016029

Potential equalization

Requirements

Please consider the following to ensure correct measurement:

- Same electrical potential for the fluid and sensor
- Remote version: same electrical potential for the sensor and transmitter
- Company-internal grounding concepts
- Pipe material and grounding

For devices intended for use in hazardous locations, please observe the guidelines in the Ex documentation (XA).

Terminals

- For device version without integrated overvoltage protection: plug-in spring terminals for wire cross-sections 0.5 to 2.5 mm<sup>2</sup> (20 to 14 AWG)
- For device version with integrated overvoltage protection: screw terminals for wire cross-sections 0.2 to 2.5 mm<sup>2</sup> (24 to 14 AWG)

Cable entries

- Cable gland (not for Ex d): M20  $\times$  1.5 with cable  $\phi$ 6 to 12 mm (0.24 to 0.47 in)
- Thread for cable entry:
  - For non-Ex and Ex: NPT 1/2"
  - For non-Ex and Ex (not for CSA Ex d/XP): G 1/2"
  - For Ex d: M20  $\times$  1.5

Cable specification

Permitted temperature range

- -40 °C (-40 °F) to +80 °C (+176 °F)
- Minimum requirement: cable temperature range  $\geq$  ambient temperature +20 K

Signal cable

Current output

For 4-20 mA HART: Shielded cable recommended. Observe grounding concept of the plant.

Pulse/frequency/switch output


Standard installation cable is sufficient.

*Current input*

Standard installation cable is sufficient.

*FOUNDATION Fieldbus*


Twisted, shielded two-wire cable.

 For further information on planning and installing FOUNDATION Fieldbus networks see:

- Operating Instructions for "FOUNDATION Fieldbus Overview" (BA00013S)
- FOUNDATION Fieldbus Guideline
- IEC 61158-2 (MBP)

*PROFIBUS PA*

Twisted, shielded two-wire cable. Cable type A is recommended.

 For further information on planning and installing PROFIBUS PA networks see:

- Operating Instructions "PROFIBUS DP/PA: Guidelines for planning and commissioning" (BA00034S)
- PNO Directive 2.092 "PROFIBUS PA User and Installation Guideline"
- IEC 61158-2 (MBP)

**Connecting cable for remote version***Connecting cable (standard)*

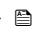
<b>Standard cable</b>	4 × 2 × 0.34 mm <sup>2</sup> (22 AWG) PVC cable with common shield (4 pairs, pair-stranded)
<b>Flame resistance</b>	According to DIN EN 60332-1-2
<b>Oil-resistance</b>	According to DIN EN 60811-2-1
<b>Shielding</b>	Galvanized copper-braid, opt. density approx. 85%
<b>Cable length</b>	5 m (16 ft), 10 m (32 ft), 20 m (65 ft), 30 m (98 ft)
<b>Operating temperature</b>	When mounted in a fixed position: -50 to +105 °C (-58 to +221 °F); when cable can move freely: -25 to +105 °C (-13 to +221 °F)

*Connecting cable (reinforced)*

<b>Cable, reinforced</b>	4 × 2 × 0.34 mm <sup>2</sup> (22 AWG) PVC cable with common shield (4 pairs, pair-stranded) and additional steel-wire braided sheath
<b>Flame resistance</b>	According to DIN EN 60332-1-2
<b>Oil-resistance</b>	According to DIN EN 60811-2-1
<b>Shielding</b>	Galvanized copper-braid, opt. density approx. 85%
<b>Strain relief and reinforcement</b>	Steel-wire braid, galvanized
<b>Cable length</b>	5 m (16 ft), 10 m (32 ft), 20 m (65 ft), 30 m (98 ft)
<b>Operating temperature</b>	When mounted in a fixed position: -50 to +105 °C (-58 to +221 °F); when cable can move freely: -25 to +105 °C (-13 to +221 °F)

**Overvoltage protection**

The device can be ordered with integrated overvoltage protection for diverse approvals:  
*Order code for "Accessory mounted", option NA "Overvoltage protection"*

<b>Input voltage range</b>	Values correspond to supply voltage specifications (→  22) <sup>1)</sup>
<b>Resistance per channel</b>	2 · 0.5 Ω max
<b>DC sparkover voltage</b>	400 to 700 V
<b>Trip surge voltage</b>	<800 V
<b>Capacitance at 1 MHz</b>	<1.5 pF

Nominal discharge current (8/20 $\mu$ s)	10 kA
Temperature range	-40 to +85 °C (-40 to +185 °F)

1) The voltage is reduced by the amount of the internal resistance  $I_{min} \cdot R_i$

**i** Depending on the temperature class, restrictions apply to the ambient temperature for device versions with overvoltage protection ( $\rightarrow$  38)

## Performance characteristics

### Reference operating conditions

- Error limits following ISO/DIN 11631
- +20 to +30 °C (+68 to +86 °F)
- 2 to 4 bar (29 to 58 psi)
- Calibration system traceable to national standards
- Calibration with the process connection corresponding to the particular standard

**i** To obtain measured errors, use the *Applicator* sizing tool ( $\rightarrow$  65)

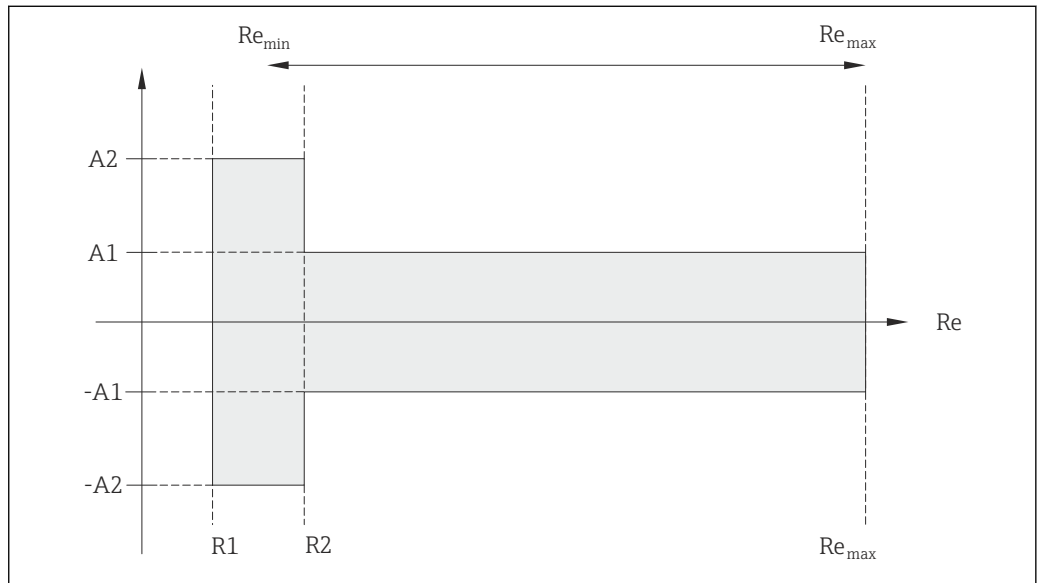
### Maximum measured error

#### Base accuracy

o.r. = of reading, Re = Reynolds number

#### Volume flow

The measured error for the volume flow is as follows depending on the Reynolds number and the compressibility of the medium under measurement:



A0019703

Deviation of volume flow value (absolute) from the reading			
Medium type		Incompressible	Compressible <sup>1)</sup>
Re range	Measured value deviation	Standard	Standard
R1 to R2	A2	< 10 %	< 10 %
R2 to Re <sub>max</sub>	A1	< 0.75 %	< 1.0 %

1) Accuracy specifications valid up to 75 m/s (246 ft/s)

Reynolds numbers	Incompressible	Compressible
	Standard	Standard
R1	5 000	
R2	20 000	


**Temperature**

- Saturated steam and liquids at room temperature if  $T > 100\text{ °C}$  (212 °F) applies:  $< 1\text{ °C}$  (1.8 °F)
- Gas:  $< 1\%$  o.r. [K]

Rise time 50 % (stirred under water, following IEC 60751): 8 s

**Mass flow (saturated steam)**

- Flow velocities 20 to 50 m/s (66 to 164 ft/s),  $T > 150\text{ °C}$  (302 °F) or (423 K)
  - Re  $> 20\,000$ :  $< 1.7\%$  o.r.
  - Re between 5 000 to 20 000:  $< 10\%$  o.r.
- Flow velocities 10 to 70 m/s (33 to 210 ft/s),  $T > 140\text{ °C}$  (284 °F) or (413 K)
  - Re  $> 20\,000$ :  $< 2\%$  o.r.
  - Re between 5 000 to 20 000:  $< 10\%$  o.r.

 The use of a Cerabar S is required for the measured errors listed in the following section. The measured error used to calculate the error in the measured pressure is 0.15%.

**Mass flow of superheated steam and gas (single gas, gas mixture, air: NEL40; natural gas: ISO 12213-2 contains AGA8-DC92, AGA NX-19, ISO 12213-3 contains SGERG-88 and AGA8 Gross Method 1)**

- Re  $> 20\,000$  and process pressure  $< 40\text{ bar abs.}$  (580 psi abs.): 1.7 % o.r.
- Re between 5 000 to 20 000 and process pressure  $< 40\text{ bar abs.}$  (580 psi abs.): 10 % o.r.
- Re  $> 20\,000$  and process pressure  $< 120\text{ bar abs.}$  (1 740 psi abs.): 2.6 % o.r.
- Re between 5 000 to 20 000 and process pressure  $< 120\text{ bar abs.}$  (1 740 psi abs.): 10 % o.r.

abs. = absolute

**Mass flow (water)**

- Re 20 000:  $< 0.85\%$  o.r.
- Re between 5 000 to 20 000:  $< 10\%$  o.r.

**Mass flow (user-defined liquids)**

To specify the system accuracy, Endress+Hauser requires information about the type of liquid and its operating temperature or information in table form about the dependency between the liquid density and the temperature.

*Example*

- Acetone is to be measured at fluid temperatures between  $+70$  to  $+90\text{ °C}$  ( $+158$  to  $+194\text{ °F}$ ).
- For this purpose the **Reference temperature** parameter (7703) (here  $80\text{ °C}$  ( $176\text{ °F}$ )), **Reference density** parameter (7700) (here  $720.00\text{ kg/m}^3$ ) and **Linear expansion coefficient** parameter (7621) (here  $18.0298 \times 10^{-4}\text{ 1/°C}$ ) must be entered in the transmitter.
- The overall system uncertainty, which is smaller than 0.9 % for the example above, is comprised of the following uncertainties of measurement: uncertainty of volume flow measurement, uncertainty of temperature measurement, uncertainty of the density-temperature correlation used (incl. the resulting uncertainty of density).

**Mass flow (other media)**

Depends on the selected fluid and the pressure value, which is specified in the parameters. Individual error analysis must be performed.

**Accuracy of outputs**

o.r. = of reading

*Current output*

Accuracy	$\pm 10\ \mu\text{A}$
----------	-----------------------

*Pulse/frequency output*

Accuracy	Max. $\pm 100\text{ ppm o.r.}$
----------	--------------------------------



**Repeatability** o.r. = of reading  
±0.2 % o.r.

**Response time** If all the configurable functions for filter times (flow damping, display damping, current output time constant, frequency output time constant, status output time constant) are set to 0, in the event of vortex frequencies of 10 Hz and higher a response time of  $\max(T_v, 100 \text{ ms})$  can be expected.  
In the event of measuring frequencies < 10 Hz, the response time is > 100 ms and can be up to 10 s.  $T_v$  is the average vortex period duration of the flowing fluid.

**Influence of ambient temperature** o.r. = of reading

**Current output**

Additional error, in relation to the span of 16 mA:

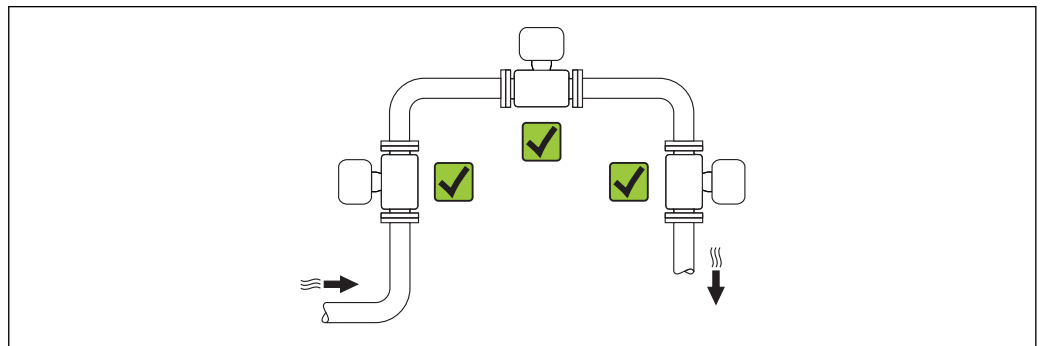
Temperature coefficient at zero point (4 mA)	0.02 %/10 K
Temperature coefficient with span (20 mA)	0.05 %/10 K

**Pulse/frequency output**

Temperature coefficient	Max. ±100 ppm o.r.
-------------------------	--------------------

## Installation

**Mounting location**



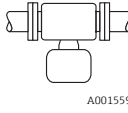

A0015543

**Orientation**

The direction of the arrow on the sensor nameplate helps you to install the sensor according to the flow direction (direction of medium flow through the piping).

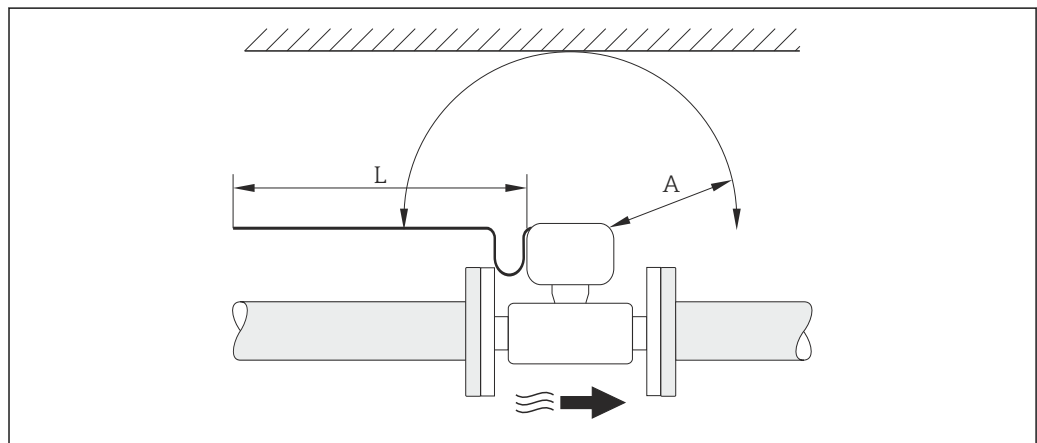
Vortex meters require a fully developed flow profile as a prerequisite for correct volume flow measurement. Therefore, please note the following:

Orientation		Compact version	Remote version
<b>A</b>	Vertical orientation	✓✓ <sup>1)</sup>	✓✓
<b>B</b>	Horizontal orientation, transmitter head up	✓✓ <sup>2) 3)</sup>	✓✓

Orientation		Compact version	Remote version
<b>C</b>	Horizontal orientation, transmitter head down	 A0015590	✓✓ <sup>4) 5)</sup>
<b>D</b>	Horizontal orientation, transmitter head at side	 A0015592	✓✓ <sup>4)</sup>

- 1) In the case of liquids, there should be upward flow in vertical pipes to avoid partial pipe filling (Fig. A). Disruption in flow measurement! In the case of vertical orientation and downward flowing liquid, the pipe always needs to be completely filled to ensure correct liquid flow measurement.
- 2) Danger of electronics overheating! If the fluid temperature is  $\geq 200\text{ °C}$  ( $392\text{ °F}$ ) orientation B is not permitted for the wafer version (Prowirl D) with nominal diameters DN 100 (4") and DN 150 (6").
- 3) In the case of hot media (e.g. steam or fluid temperature (TM)  $\geq 200\text{ °C}$  ( $392\text{ °F}$ )): orientation C or D
- 4) In the case of very cold media (e.g. liquid nitrogen): orientation B or D
- 5) For "wet steam detection/measurement" option: orientation C

### Minimum spacing and cable length



A0019211

- A Minimum spacing in all directions  
L Required cable length

The following dimensions must be observed to guarantee problem-free access to the device for service purposes:

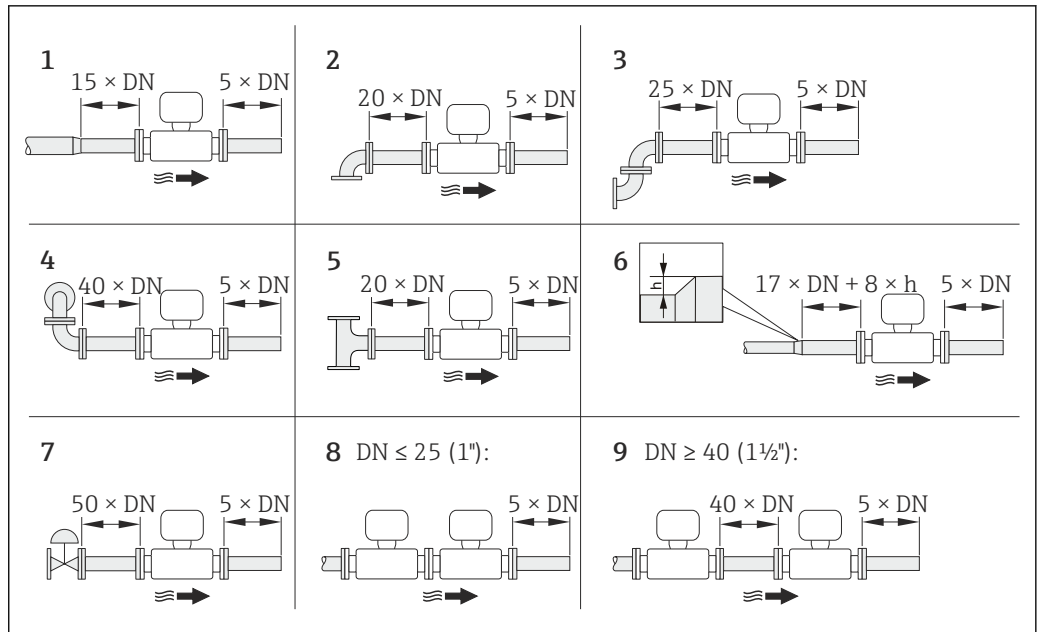
- A = 100 mm (3.94 in)
- L = L + 150 mm (5.91 in)

### Rotating the electronics housing and the display

The electronics housing can be rotated continuously by  $360\text{ °}$  on the housing support. The display unit can be rotated in  $45\text{ °}$  stages. This means you can read the display comfortably from all directions.

### Inlet and outlet runs

To attain the specified level of accuracy of the measuring device, the inlet and outlet runs mentioned below must be maintained at the very minimum.



A0019189

13 Minimum inlet and outlet runs with various flow obstructions

*h* Difference in expansion

1 Reduction by one nominal diameter size

2 Single elbow (90° elbow)

3 Double elbow (2 × 90° elbows, opposite)

4 Double elbow 3D (2 × 90° elbows, opposite, not on one plane)

5 T-piece

6 Expansion

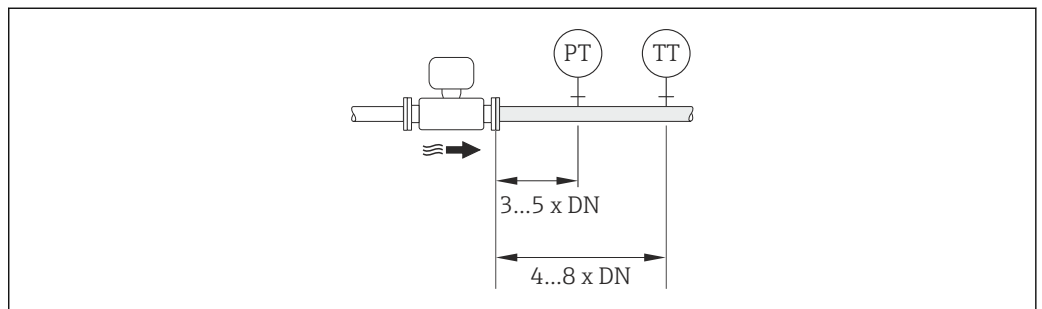
7 Control valve

8 Two measuring devices in a row where  $DN \leq 25$  (1"): directly flange on flange

9 Two measuring devices in a row where  $DN \geq 40$  (1½"): for spacing, see graphic

### Outlet runs when installing external devices

If installing an external device, observe the specified distance.



A0019205

PT Pressure transmitter

TT Temperature transmitter

### Length of connecting cable

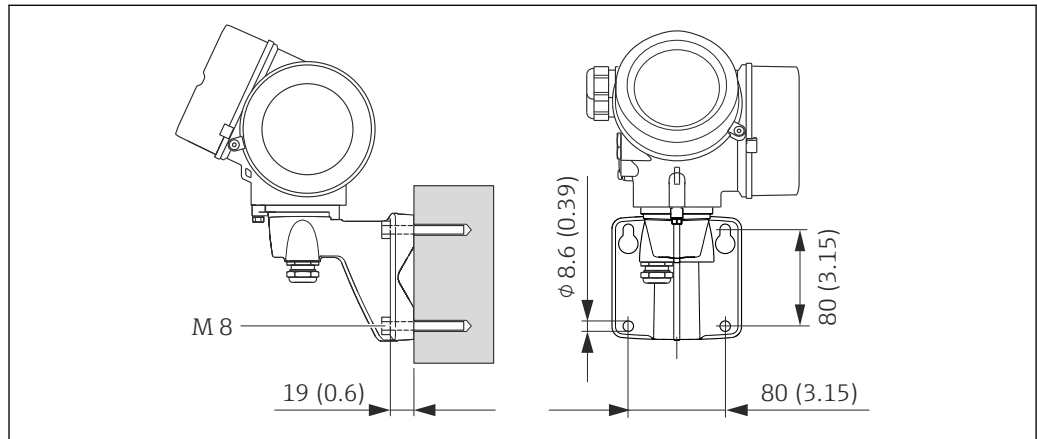
To ensure correct measuring results when using the remote version,

- observe the maximum permitted cable length  $L_{max}$ .
- The value for the cable length must be calculated if the cable cross-section differs from the specification.

For detailed information about calculating the length of the connecting cable, refer to the Operating Instructions for the device on the CD-ROM provided

Installing the wall-mount housing

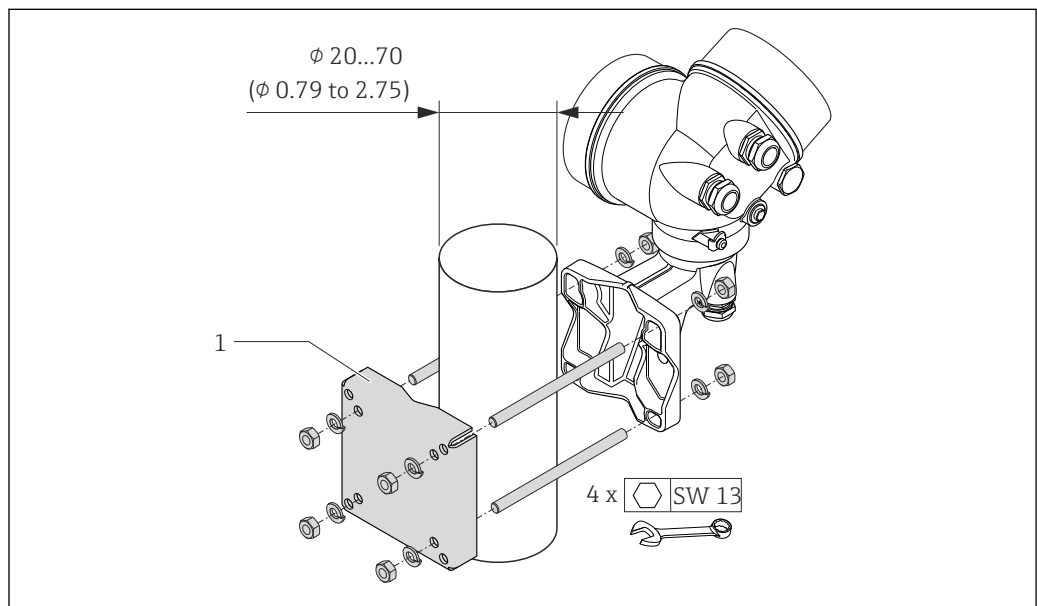
Wall mounting



A0019864

14 Engineering unit mm (in)

Post mounting



A0019862

15 Engineering unit mm (in)

1 Post retainer kit for post mounting

**Special mounting instructions**

**Inspection kit**

The inspection kit contains the necessary parts for the annual visual inspection of the primary measurement element (bluff body) in accordance with ERCB Dir. 017.

Consists of:

- 2 inspection centering sleeves
- 8 screws
- 2 inspection seals
- 2 inspection covers

The centering sleeve supports the user by centering the calipers in the inspection ports. This makes it easier to measure the distance from the sealing surface to the bluff body. In addition, the kit also contains screws, seals and covers for the inspection ports.

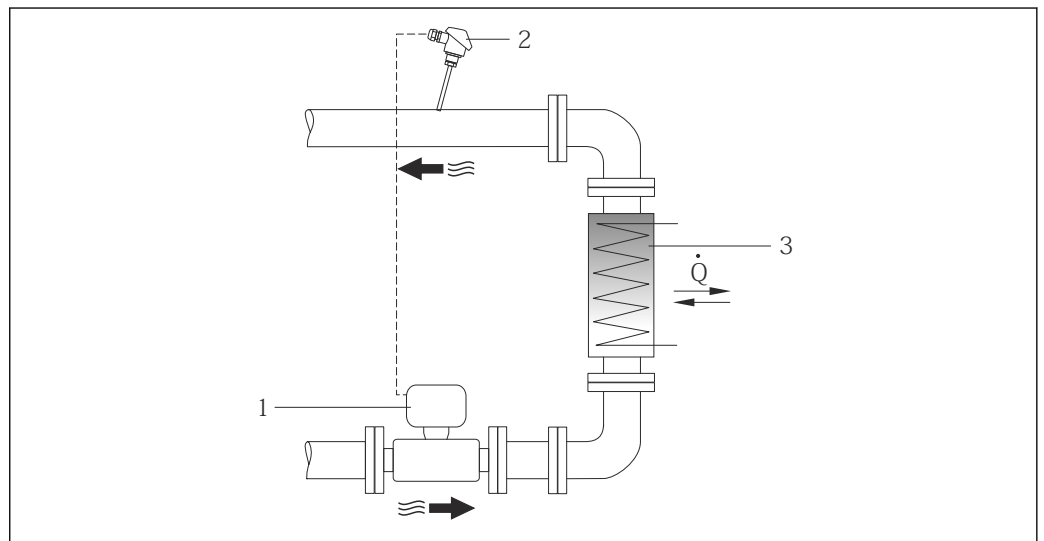
 An inspection kit can be ordered separately (see the "Accessories" section (→  64)).


**Installation for delta heat measurements**

Order code for "Sensor version", option 3 "Mass flow (integrated temperature measurement)"

The second temperature measurement is taken using a separate temperature sensor. The measuring device reads in this value via a communication interface.

- In the case of saturated steam delta heat measurements, the Prowirl 200 must be installed on the steam side.
- In the case of water delta heat measurements, the Prowirl 200 can be installed on the cold or warm side.




 16 Layout for delta heat measurement of saturated steam and water

- 1 Prowirl
- 2 Temperature sensor
- 3 Heat exchanger
- Q Heat flow

**Weather protection cover**

Observe the following minimum head clearance: 222 mm (8.74 in)

 For information the weather protection cover, see (→  63)

## Environment

### Ambient temperature range

#### Compact version

<b>Measuring device</b>	Non-Ex:	-40 to +80 °C (-40 to +176 °F) <sup>1)</sup>
	Ex i:	-40 to +70 °C (-40 to +158 °F) <sup>1)</sup>
	EEx d/XP version:	-40 to +60 °C (-40 to +140 °F) <sup>1)</sup>
	ATEX II1/2G Ex d, Ex ia:	-40 to +60 °C (-40 to +140 °F) <sup>1)</sup>
<b>Local display</b>		-20 to +60 °C (-4 to +140 °F)

- 1) Additionally available as order code for "Test, certificate", option JN "Transmitter ambient temperature -50 °C (-58 °F)".

#### Remote version

<b>Transmitter</b>	Non-Ex:	-40 to +80 °C (-40 to +176 °F) <sup>1)</sup>
	Ex i:	-40 to +80 °C (-40 to +176 °F) <sup>1)</sup>
	Ex d:	-40 to +60 °C (-40 to +140 °F) <sup>1)</sup>
	ATEX II1/2G Ex d, Ex ia:	-40 to +60 °C (-40 to +140 °F) <sup>1)</sup>
<b>Sensor</b>	Non-Ex:	-40 to +85 °C (-40 to +185 °F) <sup>1)</sup>
	Ex i:	-40 to +85 °C (-40 to +185 °F) <sup>1)</sup>
	Ex d:	-40 to +85 °C (-40 to +185 °F) <sup>1)</sup>
	ATEX II1/2G Ex d, Ex ia:	-40 to +85 °C (-40 to +185 °F) <sup>1)</sup>
<b>Local display</b>		-20 to +60 °C (-4 to +140 °F)

- 1) Additionally available as order code for "Test, certificate", option JN "Transmitter ambient temperature -50 °C (-58 °F)".

- If operating outdoors:  
Avoid direct sunlight, particularly in warm climatic regions.

 Weather protection covers can be ordered from Endress+Hauser: see "Accessories" section (→  63)

### Temperature tables

$T_m$  = fluid temperature,  $T_a$  = ambient temperature

The following interdependencies between the permitted ambient and fluid temperatures apply when operating the device in hazardous areas:

#### Compact version

Order code for "Sensor version", option 4 "Volume flow Alloy 718"; option 6 "Mass flow Alloy 718"

#### Order code for "Output", option A "4-20mA HART"

Order code for "Approval", all options  
cCSA<sub>US</sub> IS, cCSA<sub>US</sub> XP, cCSA<sub>US</sub> NI

#### SI units

Version with max. $T_m = 280$ °C						
$T_a$ <sup>1)</sup> [°C]	T6 [85 °C]	T5 [100 °C]	T4 [135 °C]	T3 [200 °C]	T2 [300 °C]	T1 [450 °C]
40	80	95	130	195	280	-
60	-	95	130	195	280	-

Version with max. $T_m = 280\text{ °C}$						
$T_a^{1)}$ [°C]	T6 [85 °C]	T5 [100 °C]	T4 [135 °C]	T3 [200 °C]	T2 [300 °C]	T1 [450 °C]
65	-	-	130	195	280	-
70	-	-	130	-	-	-

- 1) The following applies for installations with overvoltage protection in conjunction with temperature class T5, T6 and approval options BA, BB, BD, BH, BJ, B2, IA, IB, ID, IH, IJ, I4, C2:  $T_a = T_m - 2\text{ °C}$

US units

Version with max. $T_m = 536\text{ °F}$						
$T_a^{1)}$ [°F]	T6 [185 °F]	T5 [212 °F]	T4 [275 °F]	T3 [392 °F]	T2 [572 °F]	T1 [842 °F]
104	176	203	266	383	536	-
140	-	203	266	383	536	-
149	-	-	266	383	536	-
158	-	-	266	-	-	-

- 1) The following applies for installations with overvoltage protection in conjunction with temperature class T5, T6 and approval options BA, BB, BD, BH, BJ, B2, IA, IB, ID, IH, IJ, I4, C2:  $T_a = T_m - 35.6\text{ °F}$

**Order code for "Output", option B "4-20mA HART, pulse/frequency/switch output"**

Order code for "Approval", options BA, BB, BD, BH, BJ, B2, IA, IB, ID, IH, IJ, I4, C2

cCSA<sub>US</sub> IS

SI units

Version with max. $T_m = 280\text{ °C}$						
$T_a^{1)}$ [°C]	T6 [85 °C]	T5 [100 °C]	T4 [135 °C]	T3 [200 °C]	T2 [300 °C]	T1 [450 °C]
35 <sup>2)</sup>	80	95	130	195	280	-
50 <sup>3)</sup>	-	95	130	195	280	-
60	-	-	130	195	280	-
65	-	-	130	195	280 <sup>4)</sup>	-
70	-	-	130	195 <sup>5)</sup>	280 <sup>5)</sup>	-

- 1) The following applies for installations with overvoltage protection in conjunction with temperature class T5, T6 and approval options BA, BB, BD, BH, BJ, B2, IA, IB, ID, IH, IJ, I4, C2:  $T_a = T_m - 2\text{ °C}$
- 2)  $T_a = 40\text{ °C}$  for pulse/frequency/switch output  $P_1 = 0.85\text{ W}$
- 3)  $T_a = 55\text{ °C}$  for pulse/frequency/switch output  $P_1 = 0.85\text{ W}$
- 4)  $T_a = 65\text{ °C}$  for pulse/frequency/switch output  $P_1 = 0.7\text{ W}$
- 5)  $T_a = 70\text{ °C}$  for pulse/frequency/switch output  $P_1 = 0.7\text{ W}$

US units

Version with max. $T_m = 536\text{ °F}$						
$T_a^{1)}$ [°F]	T6 [185 °F]	T5 [212 °F]	T4 [275 °F]	T3 [392 °F]	T2 [572 °F]	T1 [842 °F]
95 <sup>2)</sup>	176	203	266	383	536	-
122 <sup>3)</sup>	-	203	266	383	536	-
140	-	-	266	383	536	-

Version with max. $T_m = 536\text{ °F}$						
$T_a$ <sup>1)</sup> [°F]	T6 [185 °F]	T5 [212 °F]	T4 [275 °F]	T3 [392 °F]	T2 [572 °F]	T1 [842 °F]
149	-	-	266	383	536 <sup>4)</sup>	-
158	-	-	266	383 <sup>5)</sup>	536 <sup>5)</sup>	-

- 1) The following applies for installations with overvoltage protection in conjunction with temperature class T5, T6 and approval options BA, BB, BD, BH, BJ, B2, IA, IB, ID, IH, IJ, I4, C2:  $T_a = T_m - 35.6\text{ °F}$
- 2)  $T_a = 104\text{ °F}$  for pulse/frequency/switch output  $P_i = 0.85\text{ W}$
- 3)  $T_a = 131\text{ °F}$  for pulse/frequency/switch output  $P_i = 0.85\text{ W}$
- 4)  $T_a = 149\text{ °F}$  for pulse/frequency/switch output  $P_i = 0.7\text{ W}$
- 5)  $T_a = 158\text{ °F}$  for pulse/frequency/switch output  $P_i = 0.7\text{ W}$

Order code for "Approval", options BC, BG, BK, B3, IC, IG, IK, I5, C3  
cCSA<sub>US</sub> XP

SI units

Version with max. $T_m = 280\text{ °C}$						
$T_a$ [°C]	T6 [85 °C]	T5 [100 °C]	T4 [135 °C]	T3 [200 °C]	T2 [300 °C]	T1 [450 °C]
40	80	95	130	195	280	-
55	-	95	130	195	280	-
65	-	-	130	195	280 <sup>1)</sup>	-
70	-	-	130	195 <sup>2)</sup>	280 <sup>2)</sup>	-

- 1)  $T_a = 65\text{ °C}$  for pulse/frequency/switch output  $P_i = 0.7\text{ W}$
- 2)  $T_a = 70\text{ °C}$  for pulse/frequency/switch output  $P_i = 0.7\text{ W}$

US units

Version with max. $T_m = 536\text{ °F}$						
$T_a$ [°F]	T6 [185 °F]	T5 [212 °F]	T4 [275 °F]	T3 [392 °F]	T2 [572 °F]	T1 [842 °F]
104	176	203	266	383	536	-
131	-	203	266	383	536	-
149	-	-	266	383	536 <sup>1)</sup>	-
158	-	-	266	383 <sup>2)</sup>	536 <sup>2)</sup>	-

- 1)  $T_a = 149\text{ °F}$  for pulse/frequency/switch output  $P_i = 0.7\text{ W}$
- 2)  $T_a = 158\text{ °F}$  for pulse/frequency/switch output  $P_i = 0.7\text{ W}$

#### Order code for "Output", option C "4-20mA HART, 4-20mA"

Order code for "Approval", all options  
cCSA<sub>US</sub> IS, cCSA<sub>US</sub> XP, cCSA<sub>US</sub> NI

SI units

Version with max. $T_m = 280\text{ °C}$						
$T_a$ <sup>1)</sup> [°C]	T6 [85 °C]	T5 [100 °C]	T4 [135 °C]	T3 [200 °C]	T2 [300 °C]	T1 [450 °C]
40	80	95	130	195	280	-
55	-	95	130	195	280	-
60	-	-	130	195	280	-



Version with max. $T_m = 280\text{ °C}$						
$T_a^{1)}$ [°C]	T6 [85 °C]	T5 [100 °C]	T4 [135 °C]	T3 [200 °C]	T2 [300 °C]	T1 [450 °C]
65	-	-	130	195	280 <sup>2)</sup>	-
70	-	-	130	-	-	-

- 1) The following applies for installations with overvoltage protection in conjunction with temperature class T5, T6 and approval options BA, BB, BD, BH, BJ, B2, IA, IB, ID, IH, IJ, I4, C2:  $T_a = T_a - 2\text{ °C}$
- 2)  $T_a = 65\text{ °C}$  for pulse/frequency/switch output  $P_i = 0\text{ W}$

*US units*

Version with max. $T_m = 536\text{ °F}$						
$T_a^{1)}$ [°F]	T6 [185 °F]	T5 [212 °F]	T4 [275 °F]	T3 [392 °F]	T2 [572 °F]	T1 [842 °F]
104	176	203	266	383	536	-
131	-	203	266	383	536	-
140	-	-	266	383	536	-
149	-	-	266	383	536 <sup>2)</sup>	-
158	-	-	266	-	-	-

- 1) The following applies for installations with overvoltage protection in conjunction with temperature class T5, T6 and approval options BA, BB, BD, BH, BJ, B2, IA, IB, ID, IH, IJ, I4, C2:  $T_a = T_a - 35.6\text{ °F}$
- 2)  $T_a = 149\text{ °F}$  for pulse/frequency/switch output  $P_i = 0\text{ W}$

**Order code for "Output", option D "4-20 mA HART, PFS output; 4-20 mA input"**

Order code for "Approval", all options

cCSA<sub>US</sub> IS, cCSA<sub>US</sub> XP, cCSA<sub>US</sub> NI

*SI units*

Version with max. $T_m = 280\text{ °C}$						
$T_a^{1)}$ [°C]	T6 [85 °C]	T5 [100 °C]	T4 [135 °C]	T3 [200 °C]	T2 [300 °C]	T1 [450 °C]
35	80	95	130	195	280	-
50	-	95	130	195	280	-
55	-	-	-	195	280	-
60	-	-	-	195	-	-

- 1) The following applies for installations with overvoltage protection in conjunction with temperature class T5, T6 and approval options BA, BB, BD, BH, BJ, B2, IA, IB, ID, IH, IJ, I4, C2:  $T_a = T_a - 2\text{ °C}$

*US units*

Version with max. $T_m = 536\text{ °F}$						
$T_a^{1)}$ [°F]	T6 [185 °F]	T5 [212 °F]	T4 [275 °F]	T3 [392 °F]	T2 [572 °F]	T1 [842 °F]
95	176	203	266	383	536	-
122	-	203	266	383	536	-
131	-	-	-	383	536	-
140	-	-	-	383	-	-

- 1) The following applies for installations with overvoltage protection in conjunction with temperature class T5, T6 and approval options BA, BB, BD, BH, BJ, B2, IA, IB, ID, IH, IJ, I4, C2:  $T_a = T_a - 35.6\text{ °F}$

Order code for "Output", option E "FOUNDATION Fieldbus, pulse/frequency/switch output" and option G "PROFIBUS PA, pulse/frequency/switch output"

Order code for "Approval", all options

cCSA<sub>US</sub> IS, cCSA<sub>US</sub> XP, cCSA<sub>US</sub> NI

SI units

Version with max. $T_m = 280\text{ °C}$						
$T_a$ <sup>1)</sup> [°C]	T6 [85 °C]	T5 [100 °C]	T4 [135 °C]	T3 [200 °C]	T2 [300 °C]	T1 [450 °C]
40	80	95	130	195	280	-
50 <sup>2)</sup>	-	95	130	195	280	-
60	-	-	130	195	280	-
65	-	-	130	195	280 <sup>3)</sup>	-
70	-	-	130	195 <sup>4)</sup>	280 <sup>4)</sup>	-

- 1) The following applies for installations with overvoltage protection in conjunction with temperature class T5, T6 and approval options BA, BB, BD, BH, BJ, B2, IA, IB, ID, IH, JJ, I4, C2:  $T_a = T_m - 2\text{ °C}$
- 2)  $T_a = 60\text{ °C}$  for pulse/frequency/switch output  $P_i = 0\text{ W}$
- 3)  $T_a = 65\text{ °C}$  for pulse/frequency/switch output  $P_i = 0\text{ W}$
- 4)  $T_a = 70\text{ °C}$  for pulse/frequency/switch output  $P_i = 0\text{ W}$

US units

Version with max. $T_m = 536\text{ °F}$						
$T_a$ <sup>1)</sup> [°F]	T6 [185 °F]	T5 [212 °F]	T4 [275 °F]	T3 [392 °F]	T2 [572 °F]	T1 [842 °F]
104	176	203	266	383	536	-
122 <sup>2)</sup>	-	203	266	383	536	-
140	-	-	266	383	536	-
149	-	-	266	383	536 <sup>3)</sup>	-
158	-	-	266	383 <sup>4)</sup>	536 <sup>4)</sup>	-

- 1) The following applies for installations with overvoltage protection in conjunction with temperature class T5, T6 and approval options BA, BB, BD, BH, BJ, B2, IA, IB, ID, IH, JJ, I4, C2:  $T_a = T_m - 35.6\text{ °F}$
- 2)  $T_a = 140\text{ °F}$  for pulse/frequency/switch output  $P_i = 0\text{ W}$
- 3)  $T_a = 149\text{ °F}$  for pulse/frequency/switch output  $P_i = 0\text{ W}$
- 4)  $T_a = 158\text{ °F}$  for pulse/frequency/switch output  $P_i = 0\text{ W}$

Remote version

Transmitter

Order code for "Housing", option J "GT20 two-chamber, remote G314, aluminum coated"; option K "GT20 two-chamber, remote G315, 316L"

SI units

Order code for "Output", option	Order code for "Approval", option	T6 [85 °C]	T5 [100 °C]	T4 [135 °C]
A	All	40	60	75
B	BA, BB, BD, BH, BJ, B2, IA, IB, ID, IH, JJ, I4, C2	35 <sup>1)</sup>	50 <sup>2)</sup>	70 <sup>3)</sup>
	BC, BG, BK, B3, IC, IG, IK, I5, C3	40	55	70 <sup>3)</sup>
C	All	40	55	70 <sup>4)</sup>

Order code for "Output", option	Order code for "Approval", option	T6 [85 °C]	T5 [100 °C]	T4 [135 °C]
D	All	35 <sup>5)</sup>	50 <sup>5)</sup>	65
E G	All	40	55	70 <sup>4)</sup>

- 1)  $T_a = 40\text{ °C}$  for pulse/frequency/switch output  $P_i = 0.85\text{ W}$
- 2)  $T_a = 60\text{ °C}$  for pulse/frequency/switch output  $P_i = 0.85\text{ W}$
- 3)  $T_a = 75\text{ °C}$  for pulse/frequency/switch output  $P_i = 0.85\text{ W}$
- 4)  $T_a = 75\text{ °C}$  for pulse/frequency/switch output  $P_i = 0\text{ W}$
- 5) The following applies for installations with overvoltage protection in conjunction with temperature class T5, T6 and approval options BA, BB, BD, BH, BJ, B2, IA, IB, ID, IH, IJ, I4, C2:  $T_a = T_a - 2\text{ °C}$

*US units*

Order code for "Output", option	Order code for "Approval", option	T6 [185 °F]	T5 [212 °F]	T4 [275 °F]
A	All	104	140	167
B	BA, BB, BD, BH, BJ, B2, IA, IB, ID, IH, IJ, I4, C2	95 <sup>1)</sup>	122 <sup>2)</sup>	158 <sup>3)</sup>
	BC, BG, BK, B3, IC, IG, IK, I5, C3	104	131	158 <sup>3)</sup>
C	All	104	131	158 <sup>4)</sup>
D	All	95 <sup>5)</sup>	122 <sup>5)</sup>	149
E G	All	104	131	158 <sup>4)</sup>

- 1)  $T_a = 104\text{ °F}$  for pulse/frequency/switch output  $P_i = 0.85\text{ W}$
- 2)  $T_a = 140\text{ °F}$  for pulse/frequency/switch output  $P_i = 0.85\text{ W}$
- 3)  $T_a = 167\text{ °F}$  for pulse/frequency/switch output  $P_i = 0.85\text{ W}$
- 4)  $T_a = 167\text{ °F}$  for pulse/frequency/switch output  $P_i = 0\text{ W}$
- 5) The following applies for installations with overvoltage protection in conjunction with temperature class T5, T6 and approval options BA, BB, BD, BH, BJ, B2, IA, IB, ID, IH, IJ, I4, C2:  $T_a = T_a - 35.6\text{ °F}$

*Sensor*


Order code for "Sensor version", option 4 "Volume flow Alloy 718"; option 6 "Mass flow Alloy 718"

*SI units*

Version with max. $T_m = 280\text{ °C}$						
$T_a$ [°C]	T6 [85 °C]	T5 [100 °C]	T4 [135 °C]	T3 [200 °C]	T2 [300 °C]	T1 [450 °C]
55	80	95	130	195	280	-
70	-	95	130	195	280	-
85	-	-	130	195	280	-

*US units*

Version with max. $T_m = 536\text{ °F}$						
$T_a$ [°F]	T6 [185 °F]	T5 [212 °F]	T4 [275 °F]	T3 [392 °F]	T2 [572 °F]	T1 [842 °F]
104	176	203	266	383	536	-
122	-	203	266	383	536	-
149	-	-	266	383	536	-

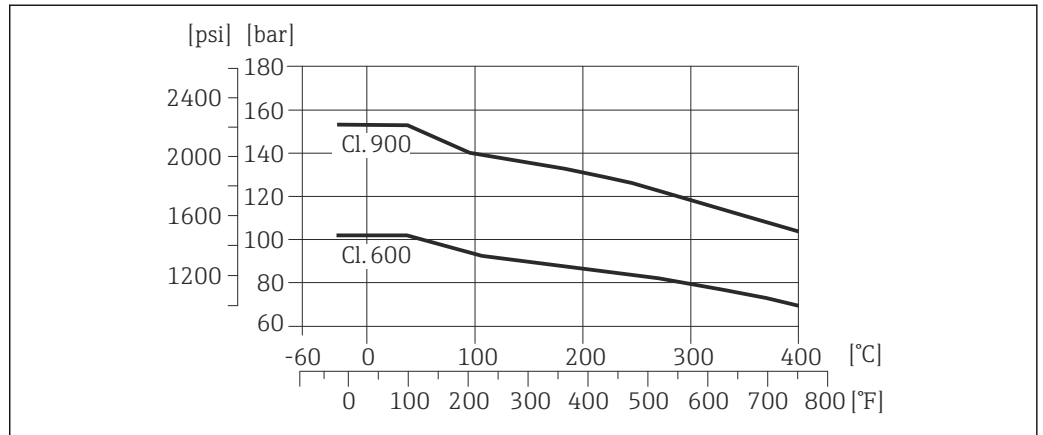
<b>Storage temperature</b>	All components apart from the display modules: -50 to +80 °C (-58 to +176 °F)  Display modules: -40 to +80 °C (-40 to +176 °F)
<b>Climate class</b>	DIN EN 60068-2-38 (test Z/AD)
<b>Degree of protection</b>	<b>Transmitter</b> <ul style="list-style-type: none"> <li>■ As standard: IP66/67, type 4X enclosure</li> <li>■ When housing is open: IP20, type 1 enclosure</li> <li>■ Display module: IP20, type 1 enclosure</li> </ul> <b>Sensor</b> IP66/67, type 4X enclosure  <b>Device plug</b> IP67, only in screwed situation
<b>Vibration resistance</b>	<ul style="list-style-type: none"> <li>■ For compact/remote version made of coated aluminum and remote version made of stainless steel: Acceleration up to 2g (if gain set to factory setting), 10 to 500 Hz, following IEC 60068-2-6</li> <li>■ For the compact version made of stainless steel: Acceleration up to 1g (if gain set to factory setting), 10 to 500 Hz, following IEC 60068-2-6</li> </ul>
<b>Electromagnetic compatibility (EMC)</b>	As per IEC/EN 61326 and NAMUR Recommendation 21 (NE 21)  For details refer to the Declaration of Conformity.

## Process

<b>Medium temperature range</b>	<b>DSC sensor<sup>2)</sup></b> Order code for "Sensor version": <ul style="list-style-type: none"> <li>■ Option 4 "Volume flow, Alloy 718": -40 to +400 °C (-40 to +752 °F)</li> <li>■ Option 6 "Mass flow, Alloy 718": -40 to +400 °C (-40 to +752 °F)</li> </ul> <b>Seals</b> <ul style="list-style-type: none"> <li>■ -200 to +400 °C (-328 to +752 °F) for graphite (standard)</li> <li>■ -15 to +175 °C (+5 to +347 °F) for Viton</li> <li>■ -20 to +275 °C (-4 to +527 °F) for Kalrez</li> <li>■ -200 to +260 °C (-328 to +500 °F) for Gylon</li> </ul>
<b>Pressure-temperature ratings</b>	The following pressure-temperature ratings refer to the entire device and not just the process connection.  The pressure-temperature rating for the specific measuring device is programmed into the software. If values exceed the curve range a warning is displayed. Depending on the system configuration and sensor version, the pressure and temperature are determined by entering, reading in or calculating values.

2) Capacitance sensor

**Process connection: flange to ASME B16.5 ed. 2009, Group 1.1 materials**



A0020882-EN

17 Process connection material: carbon steel, multiple certifications, SA-105, SA-350 LF2 (1)

**NOTICE**

If the device is used for a prolonged period at a temperature of over 375 °C, it is the responsibility of the owner-operator to perform additional tests. These can include:

- ▶ Dimensional tests to monitor deformation caused by corrosion or creepage.

**Pressure loss**

For a precise calculation, use the Applicator(→ 65).

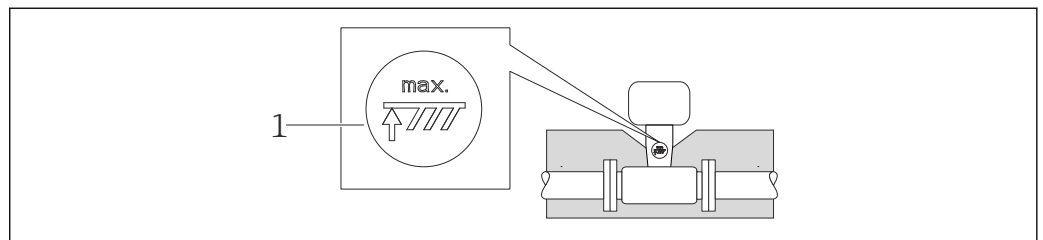
**Thermal insulation**

For optimum temperature measurement and mass calculation, heat transfer at the sensor must be avoided for some fluids. This can be ensured by installing thermal insulation. A wide range of materials can be used for the required insulation.

This applies for:

- Compact version
- Remote sensor version

The maximum insulation height permitted is illustrated in the diagram:



A0019212

1 Maximum insulation height

- ▶ When insulating, ensure that a sufficiently large area of the housing support remains exposed. The uncovered part serves as a radiator and protects the electronics from overheating and excessive cooling.

**Vibrations**

The correct operation of the measuring system is not affected by plant vibrations up to 1 g, 10 to 500 Hz. Therefore no special measures are needed to secure the sensors.

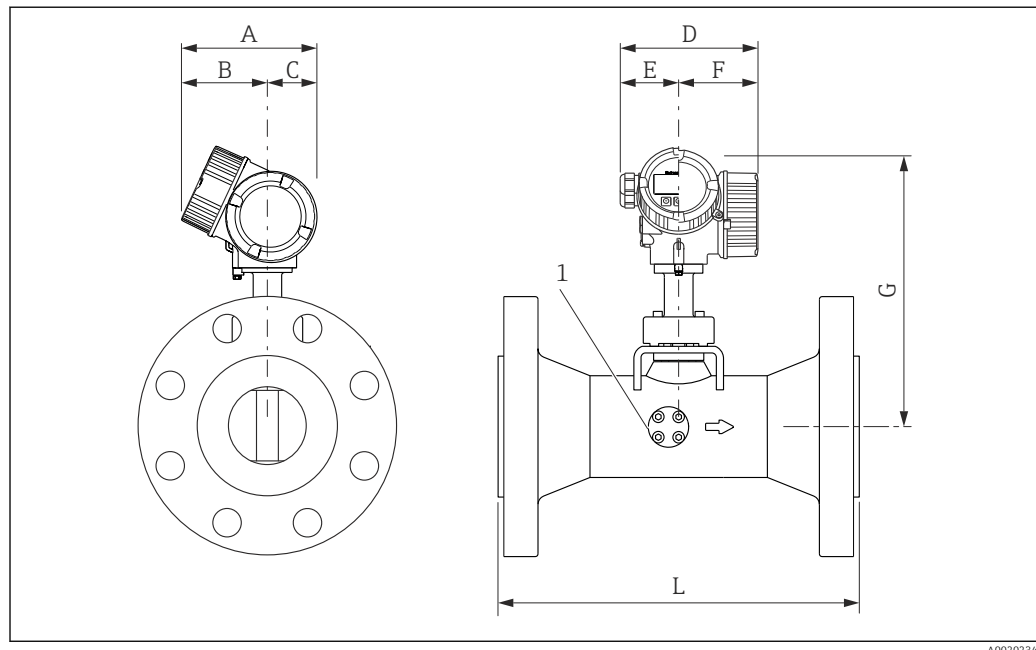
**Mechanical construction**

**Design, dimensions**

**Compact version**

Order code for "Housing", option C "GT20, two-chamber, aluminum coated"

## Flanged version



1 Optional inspection ports: order code for "Sensor option", option CR "ERCB Dir. 017 inspection ports"

## Dimensions in SI units

DN [mm]	A [mm]	B <sup>1)</sup> [mm]	C [mm]	D <sup>2)</sup> [mm]	E [mm]	F <sup>2)</sup> [mm]	G <sup>3)</sup> [mm]	L [mm]
50	162	102	60	165	75	90	310	<sup>4)</sup>
80	162	102	60	165	75	90	321	<sup>4)</sup>
100	162	102	60	165	75	90	331	<sup>4)</sup>
150	162	102	60	165	75	90	352	<sup>4)</sup>

- 1) For version without local display: values - 7 mm
- 2) For version with overvoltage protection: values + 8 mm
- 3) For version without local display: values - 10 mm
- 4) dependent on respective process connection

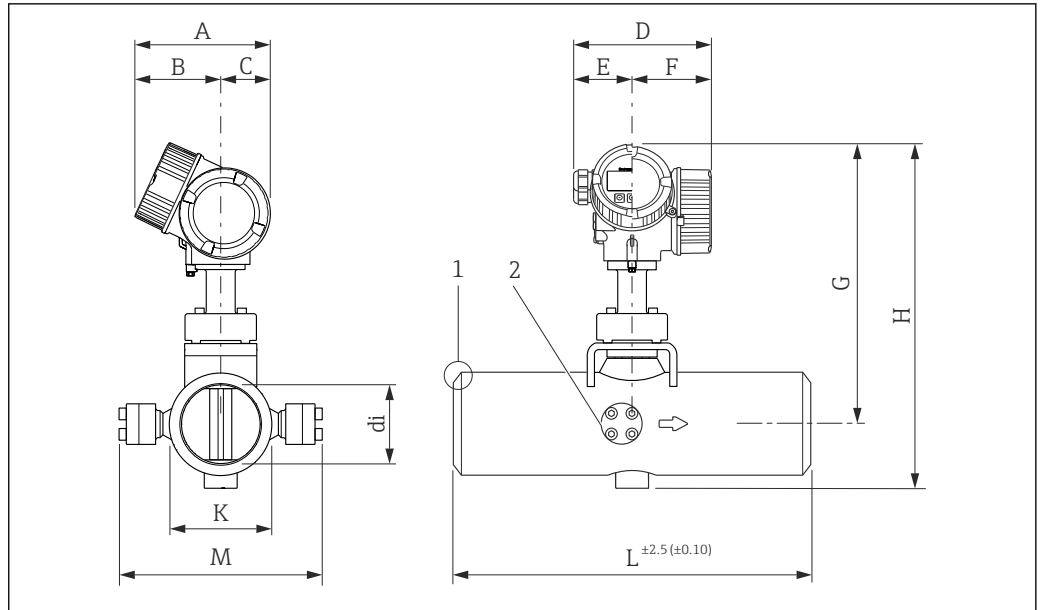
## Dimensions in US units

DN [in]	A [in]	B <sup>1)</sup> [in]	C [in]	D <sup>2)</sup> [in]	E [in]	F <sup>2)</sup> [in]	G <sup>3)</sup> [in]	L [in]
2	6.38	4.02	2.36	6.50	2.95	3.54	12.4	<sup>4)</sup>
3	6.38	4.02	2.36	6.50	2.95	3.54	12.64	<sup>4)</sup>
4	6.38	4.02	2.36	6.50	2.95	3.54	13.03	<sup>4)</sup>
6	6.38	4.02	2.36	6.50	2.95	3.54	13.86	<sup>4)</sup>

- 1) For version without local display: values - 0.28 in
- 2) For version with overvoltage protection: values + 0.31 in
- 3) For version without local display: values - 0.39 in
- 4) dependent on respective process connection

## Butt-weld version

Order code for "Process connection", option CAC "ASME Cl. 600/Sch.80 butt-weld"; option CAD "ASME Cl. 900/Sch.160 butt-weld";



A0020317

18 Engineering unit mm (in)

- 1 Groove type as per ASME B31.3
- 2 Inspection ports

Dimensions in SI units

Cl. 600/Sch. 80: SA-106 Gr. B, SA-333 Gr. 6 (order code for "Process connection", option CAC)												
DN	A	B <sup>1)</sup>	C	D <sup>2)</sup>	E	F	G <sup>3)</sup>	H <sup>3)</sup>	L	K	M	di
[mm]	[mm]	[mm]	[mm]	[mm]	[mm]	[mm]	[mm]	[mm]	[mm]	[mm]	[mm]	[mm]
50	162	102	60	165	75	90	310	354	288	60	172	49.3
80	162	102	60	165	75	90	321	378	325	88	200	73.7
100	162	102	60	165	75	90	331	402	394	114	226	97.1
150	162	102	60	165	75	90	352	450	566	168	280	146.3

- 1) For version without local display: values - 7 mm
- 2) For version with overvoltage protection: values + 8 mm
- 3) For version without local display: values - 10 mm

Cl. 900/Sch. 160: SA-106 Gr. B, SA-333 Gr. 6 (order code for "Process connection", option CAD)												
DN	A	B <sup>1)</sup>	C	D <sup>2)</sup>	E	F	G <sup>3)</sup>	H <sup>3)</sup>	L	K	M	di
[mm]	[mm]	[mm]	[mm]	[mm]	[mm]	[mm]	[mm]	[mm]	[mm]	[mm]	[mm]	[mm]
50	162	102	60	165	75	90	310	354	288	60	172	42.9
80	162	102	60	165	75	90	321	378	325	88	200	66.7
100	162	102	60	165	75	90	331	402	394	114	226	87.3
150	162	102	60	165	75	90	352	450	566	168	280	131.7

- 1) For version without local display: values - 7 mm
- 2) For version with overvoltage protection: values + 8 mm
- 3) For version without local display: values - 10 mm

Dimensions in US units

Cl. 600/Sch. 80: SA-106 Gr. B, SA-333 Gr. 6 (order code for "Process connection", option CAC)												
DN	A	B <sup>1)</sup>	C	D <sup>2)</sup>	E	F	G <sup>3)</sup>	H <sup>3)</sup>	L	K	M	di
[in]	[in]	[in]	[in]	[in]	[in]	[in]	[in]	[in]	[in]	[in]	[in]	[in]
2	6.38	4.02	2.36	6.50	2.95	3.54	12.4	13.94	11.34	2.36	6.77	1.94
3	6.38	4.02	2.36	6.50	2.95	3.54	12.64	14.88	12.8	3.46	7.87	2.9
4	6.38	4.02	2.36	6.50	2.95	3.54	13.03	15.83	15.51	4.49	8.90	3.82
6	6.38	4.02	2.36	6.50	2.95	3.54	13.86	17.72	22.28	6.61	11.02	5.76

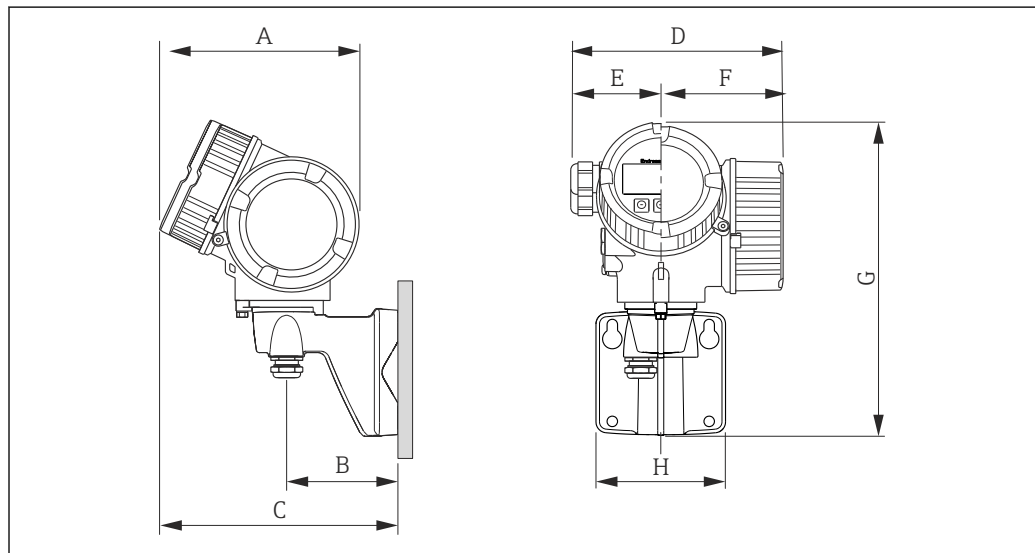
- 1) For version without local display: values - 0.28 in
- 2) For version with overvoltage protection: values + 0.31 in
- 3) For version without local display: values - 0.39 in

Cl. 900/Sch. 160: SA-106 Gr. B, SA-333 Gr. 6 (order code for "Process connection", option CAD)												
DN	A	B <sup>1)</sup>	C	D <sup>2)</sup>	E	F	G <sup>3)</sup>	H <sup>3)</sup>	L	K	M	di
[in]	[in]	[in]	[in]	[in]	[in]	[in]	[in]	[in]	[in]	[in]	[in]	[in]
2	6.38	4.02	2.36	6.50	2.95	3.54	12.4	13.94	11.34	2.36	6.77	1.69
3	6.38	4.02	2.36	6.50	2.95	3.54	12.64	14.88	12.8	3.46	7.87	2.63
4	6.38	4.02	2.36	6.50	2.95	3.54	13.03	15.83	15.51	4.49	8.90	3.44
6	6.38	4.02	2.36	6.50	2.95	3.54	13.86	17.72	22.28	6.61	11.02	5.19

- 1) For version without local display: values - 0.28 in
- 2) For version with overvoltage protection: values + 0.31 in
- 3) For version without local display: values - 0.39 in

**Transmitter remote version**

Order code for "Housing", option J "GT20, remote, aluminum coated"



A0020089



Dimensions in SI units

A <sup>1)</sup> [mm]	B [mm]	C [mm]	D <sup>2)</sup> [mm]	E [mm]	F [mm]	G <sup>3)</sup> [mm]	H [mm]
162	90	191	165	75	90	254	107

- 1) For device version without local display: value - 7 mm
- 2) For device version with overvoltage protection (OVP): value + 8 mm
- 3) For device version without local operation: value - 10 mm

Dimensions in US units

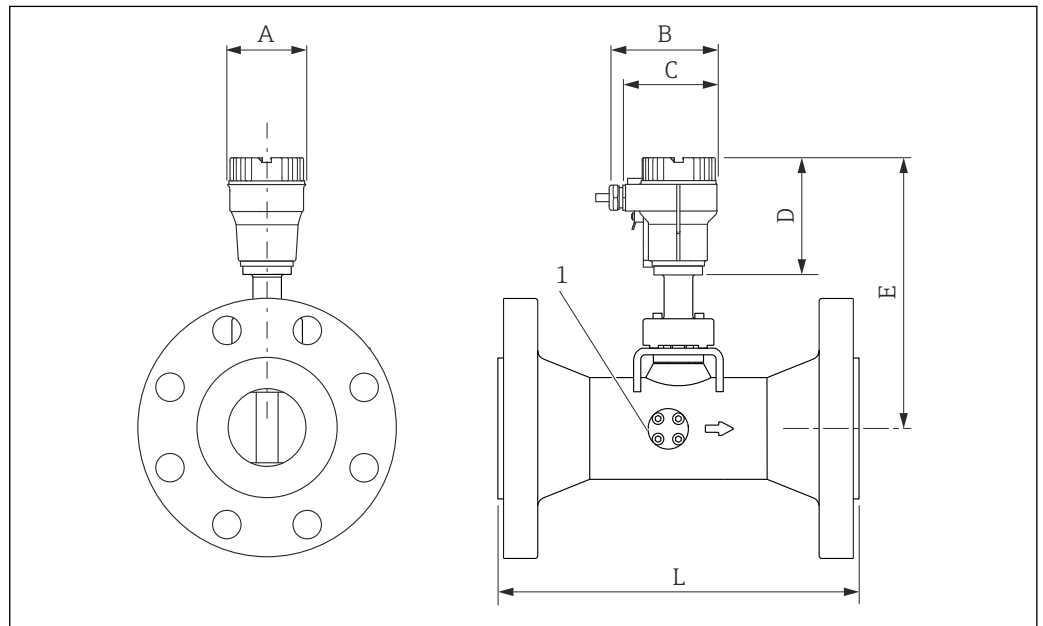
A <sup>1)</sup> [in]	B [in]	C [in]	D <sup>2)</sup> [in]	E [in]	F [in]	G <sup>3)</sup> [in]	H [in]
6.38	3.54	7.52	6.5	2.75	3.54	10.0	4.21

- 1) For device version without local display: value - 0.28 in
- 2) For device version with overvoltage protection (OVP): value + 0.31 in
- 3) For device version without local operation: value - 0.39 in

Sensor remote version

Order code for "Housing", option J "GT20, remote, aluminum coated"

Flanged version



- 1 Optional inspection ports: order code for "Sensor option", option CR "ERCB Dir. 017 inspection ports"

Dimensions in SI units

DN [mm]	A [mm]	B [mm]	C [mm]	D [mm]	E [mm]	L [mm]
50	94.3	134.3	107.3	131	282	1)
80	94.3	134.3	107.3	131	293	1)

DN [mm]	A [mm]	B [mm]	C [mm]	D [mm]	E [mm]	L [mm]
100	94.3	134.3	107.3	131	303	1) <sup>1)</sup>
150	94.3	134.3	107.3	131	324	1) <sup>1)</sup>

1) dependent on respective process connection

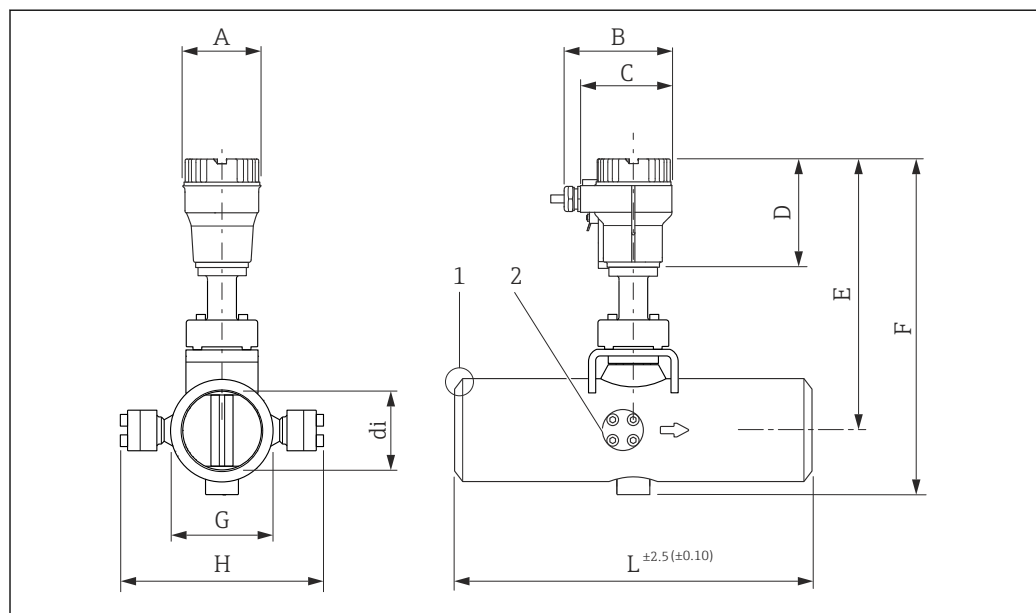
*Dimensions in US units*

DN [in]	A [in]	B [in]	C [in]	D [in]	E [in]	L [in]
2	3.71	5.29	4.22	5.16	11.1	1) <sup>1)</sup>
3	3.71	5.29	4.22	5.16	11.54	1) <sup>1)</sup>
4	3.71	5.29	4.22	5.16	11.93	1) <sup>1)</sup>
6	3.71	5.29	4.22	5.16	12.76	1) <sup>1)</sup>

1) dependent on respective process connection

*Butt-weld version*

Order code for "Process connection", option CAC "ASME Cl. 600/Sch.80 butt-weld"; option CAD "ASME Cl. 900/Sch.160 butt-weld";



A0020324

19 Engineering unit mm (in)

- 1 Groove type as per ASME B31.3
- 2 Inspection ports

*Dimensions in SI units*

Cl. 600/Sch. 80: SA-106 Gr. B, SA-333 Gr. 6 (order code for "Process connection", option CAC)										
DN [mm]	A [mm]	B [mm]	C [mm]	D [mm]	E [mm]	F [mm]	L [mm]	G [mm]	H [mm]	di [mm]
50	94.3	134.3	107.3	131	310	354	288	60	172	49.2
80	94.3	134.3	107.3	131	321	378	325	88	200	73.7

Cl. 600/Sch. 80: SA-106 Gr. B, SA-333 Gr. 6 (order code for "Process connection", option CAC)										
DN	A	B	C	D	E	F	L	G	H	di
[mm]	[mm]	[mm]	[mm]	[mm]	[mm]	[mm]	[mm]	[mm]	[mm]	[mm]
100	94.3	134.3	107.3	131	331	402	394	114	226	97.0
150	94.3	134.3	107.3	131	352	450	566	168	280	146.3

Cl. 900/Sch. 160: SA-106 Gr. B, SA-333 Gr. 6 (order code for "Process connection", option CAD)										
DN	A	B	C	D	E	F	L	G	H	di
[mm]	[mm]	[mm]	[mm]	[mm]	[mm]	[mm]	[mm]	[mm]	[mm]	[mm]
50	94.3	134.3	107.3	131	310	354	288	60	172	42.9
80	94.3	134.3	107.3	131	321	378	325	88	200	66.7
100	94.3	134.3	107.3	131	331	402	394	114	226	87.3
150	94.3	134.3	107.3	131	352	450	566	168	280	131.7

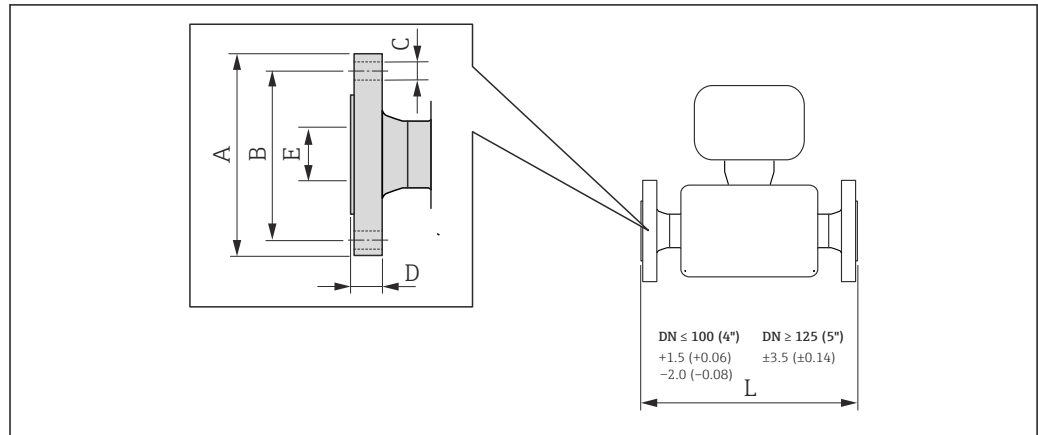
*Dimensions in US units*

Cl. 600/Sch. 80: SA-106 Gr. B, SA-333 Gr. 6 (order code for "Process connection", option CAC)										
DN	A	B	C	D	E	F	L	G	H	di
[in]	[in]	[in]	[in]	[in]	[in]	[in]	[in]	[in]	[in]	[in]
2	3.71	5.29	4.22	5.16	12.4	13.94	11.34	2.36	6.77	1.94
3	3.71	5.29	4.22	5.16	12.64	14.88	12.8	3.46	7.87	2.9
4	3.71	5.29	4.22	5.16	13.03	15.83	15.51	4.49	8.90	3.82
6	3.71	5.29	4.22	5.16	13.86	17.72	22.28	6.61	11.02	5.76

Cl. 900/Sch. 160: SA-106 Gr. B, SA-333 Gr. 6 (order code for "Process connection", option CAD)										
DN	A	B	C	D	E	F	L	G	H	di
[in]	[in]	[in]	[in]	[in]	[in]	[in]	[in]	[in]	[in]	[in]
2	3.71	5.29	4.22	5.16	12.4	13.94	11.34	2.36	6.77	1.69
3	3.71	5.29	4.22	5.16	12.64	14.88	12.8	3.46	7.87	2.63
4	3.71	5.29	4.22	5.16	13.03	15.83	15.51	4.49	8.90	3.44
6	3.71	5.29	4.22	5.16	13.86	17.72	22.28	6.61	11.02	5.19

**Process connections in SI units**

*Flange connections ASME B16.5*



A0015621

20 Engineering unit mm (in)

**Flange according to ASME B16.5, Cl. 600/Sch. 80: SA-105, SA-350 LF2 (1), (order code for "Process connection", option CAA)**

Surface roughness (flange): ASME B16.5, Ra 3.2 to 6.3 µm

DN [mm]	A [mm]	B [mm]	∅ C [mm]	D [mm]	E [mm]	L [mm]
50	165.1	127.0	8 × 19.0	33	49.2	305
80	209.6	168.3	8 × 22.2	39	73.7	325
100	273.0	215.9	8 × 23.4	49	97.0	363
150	355.6	292.1	12 × 28.6	64	146.3	393

**Flange according to ASME B16.5, Cl. 600/Sch. 160: SA-105, SA-350 LF2 (1), (order code for "Process connection", option CAE)**

Surface roughness (flange): ASME B16.5, Ra 3.2 to 6.3 µm

DN [mm]	A [mm]	B [mm]	∅ C [mm]	D [mm]	E [mm]	L [mm]
50	165.1	127.0	8 × 19.0	33	42.9	305
80	209.6	168.3	8 × 22.2	39	66.7	325
100	273.0	215.9	8 × 23.4	49	87.3	363
150	355.6	292.1	12 × 28.6	64	131.7	393

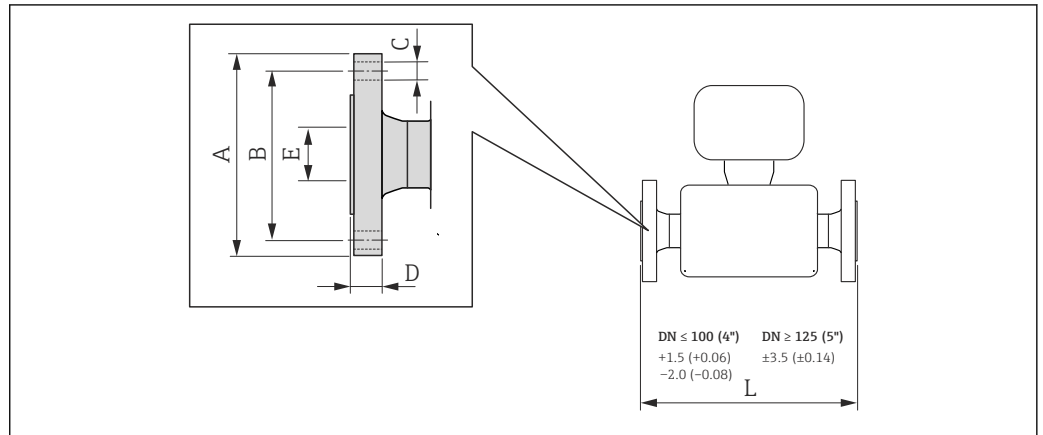
**Flange according to ASME B16.5, Cl. 900/Sch. 160: SA-105, SA-350 LF2 (1), (order code for "Process connection", option CAB)**

Surface roughness (flange): ASME B16.5, Ra 3.2 to 6.3 µm

DN [mm]	A [mm]	B [mm]	∅ C [mm]	D [mm]	E [mm]	L [mm]
50	60.3	165.1	8 × 31.7	44.5	42.9	363
80	88.94	190.5	8 × 31.7	44.5	66.7	363
100	292.1	234.9	8 × 25.4	50.8	87.3	387
150	381.0	317.5	12 × 25.4	62.0	131.7	439

Process connections in US units

Flange connections ASME B16.5



A0015621

21 Engineering unit mm (in)

Flange according to ASME B16.5, Cl. 600/Sch. 80: SA-105, SA-350 LF2 (1), (order code for "Process connection", option CAA)

Surface roughness (flange): ASME B16.5, Ra 125 to 250 $\mu$ m

DN [in]	A [in]	B [in]	$\varnothing C$ [in]	D [in]	E [in]	L [in]
2	6.50	5	8 $\times$ 0.75	1.30	1.94	12.0
3	8.26	6.63	8 $\times$ 0.87	1.54	2.90	12.8
4	10.7	8.5	8 $\times$ 0.92	1.93	3.82	14.29
6	14.01	11.5	12 $\times$ 1.13	2.52	5.76	15.47

Flange according to ASME B16.5, Cl. 600/Sch. 160: SA-105, SA-350 LF2 (1), (order code for "Process connection", option CAE)

Surface roughness (flange): ASME B16.5, Ra 125 to 250 $\mu$ m

DN [in]	A [in]	B [in]	$\varnothing C$ [in]	D [in]	E [in]	L [in]
2	6.50	5	8 $\times$ 0.75	1.30	1.69	12.0
3	8.26	6.63	8 $\times$ 0.87	1.54	2.63	12.8
4	10.7	8.5	8 $\times$ 0.92	1.93	3.44	14.29
6	14.01	11.5	12 $\times$ 1.13	2.52	5.19	15.47

Flange according to ASME B16.5, Cl. 900/Sch. 160: SA-105, SA-350 LF2 (1), (order code for "Process connection", option CAB)

Surface roughness (flange): ASME B16.5, Ra 125 to 250 $\mu$ m

DN [in]	A [in]	B [in]	$\varnothing C$ [in]	D [in]	E [in]	L [in]
2	2.37	6.5	8 $\times$ 1.25	1.75	1.69	14.29
3	3.5	7.5	8 $\times$ 1.25	1.75	2.63	14.29
4	11.5	9.25	8 $\times$ 1	2	3.44	15.24
6	15	12.5	12 $\times$ 1	2.44	5.19	17.28

**Weight****Compact version**

Weight data:

- Including the transmitter:  
Order code for "Housing", option C: 1.8 kg (4.0 lb)
- Excluding packaging material

*Weight in SI units*

All values (weight) refer to devices with ASME B16.5/Class 900 flanges. Weight information in [kg].

DN [mm]	Weight [kg]
	Order code for "Housing", option C Aluminum, AlSi10Mg, coated
50	26.8
80	34.1
100	53.9
150	112.7

*Weight in US units*

All values (weight) refer to devices with ASME B16.5/Class 900 flanges. Weight information in [lbs].

DN [in]	Weight [lbs]
	Order code for "Housing", option C Aluminum, AlSi10Mg, coated
2	59.1
3	75.2
4	118.8
6	248.5

**Transmitter remote version***Wall-mount housing*

Depends on the material of the wall-mount housing:

- Aluminum, AlSi10Mg, coated: 2.4 kg (5.2 lb)
- Stainless steel, 1.4404 (316L): 6.0 kg (13.2 lb)

**Sensor remote version**

Weight data:

- Including the connection housing:  
Aluminum, AlSi10Mg, coated: 0.8 kg (1.8 lb)
- Excluding the connecting cable
- Excluding packaging material

*Weight in SI units*

All values (weight) refer to devices with ASME B16.5/Class 900 flanges. Weight information in [kg].

DN [mm]	Weight [kg]
	Connection housing Aluminum, AlSi10Mg, coated
50	25.7
80	33.1

DN [mm]	Weight [kg]
	Connection housing Aluminum, AlSi10Mg, coated
100	52.8
150	111.6

*Weight in US units*

All values (weight) refer to devices with ASME B16.5/Class 900 flanges. Weight information in [lbs].

DN [in]	Weight [lbs]
	Connection housing Aluminum, AlSi10Mg, coated
2	56.7
3	73.0
4	116.4
6	246.0

**Materials**

**Transmitter housing**

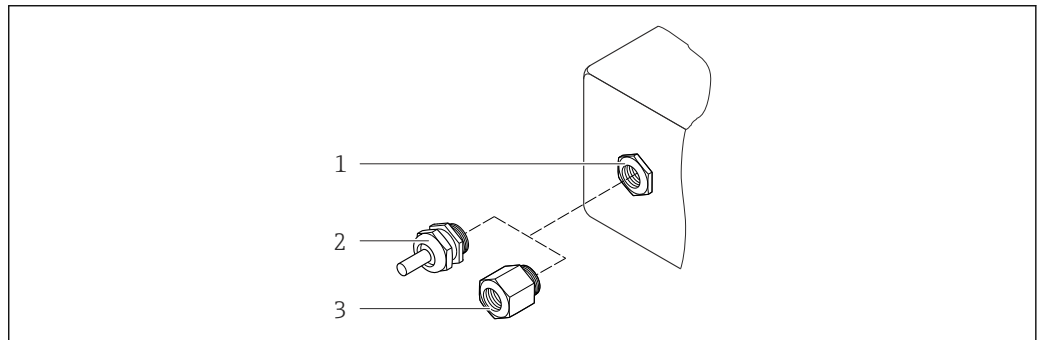
**Compact version**

Order code for "Housing", option **C** "Compact, aluminum coated":  
Aluminum, AlSi10Mg, coated

**Remote version**

Order code for "Housing", option **J** "Remote, aluminum coated":  
Aluminum, AlSi10Mg, coated

**Cable entries/cable glands**



A0020640

22 Possible cable entries/cable glands

- 1 Cable entry in transmitter housing, wall-mount housing or connection housing with internal thread M20 x 1.5
- 2 Cable gland M20 x 1.5
- 3 Adapter for cable entry with internal thread G 1/2" or NPT 1/2"

Order code for "Housing": option **C** "Compact, aluminum coated", option **J** "Remote, aluminum coated"

Cable entry/cable gland	Type of protection	Material
Cable gland M20 x 1.5	<ul style="list-style-type: none"> <li>■ Non-Ex</li> <li>■ Ex ia</li> <li>■ Ex ic</li> </ul>	Plastic
	Adapter for cable entry with internal thread G 1/2"	Nickel-plated brass

Cable entry/cable gland	Type of protection	Material
Adapter for cable entry with internal thread NPT ½"	For non-Ex and Ex (except for CSA Ex d/XP)	Nickel-plated brass
Thread NPT ½" via adapter	For non-Ex and Ex	

#### Connecting cable for remote version

- Standard cable: PVC cable with copper shield
- Reinforced cable: PVC cable with copper shield and additional steel wire braided jacket

#### Sensor connection housing

Coated aluminum AlSi10Mg

#### Measuring tubes

##### Pressure ratings Class 600 to 900

Carbon steel, multiple certifications, SA-106 Grade B, SA-333 Grade 6

##### Bluff body

Carbon steel, multiple certifications, SA-105, SA-350 LF2 (1)

##### Inspection ports

Carbon steel, multiple certifications, SA-105, SA-350 LF2 (1)

#### DSC sensor

- Parts in contact with medium (marked as "wet" on the DSC sensor flange):  
UNS N07718 similar to Alloy 718/2.4668
- Parts not in contact with medium:  
Stainless steel 1.4301 (304)

#### Process connections

##### ASME B16.5

Carbon steel, multiple certifications, SA-105, SA-350 LF2 (1)



List of all available process connections (→ 56)

#### Seals

- Graphite (standard)
- FPM (Viton)<sup>3)</sup>
- Kalrez 6375<sup>3)</sup>
- Gylon 3504 (BAM-certified for oxygen applications, "high quality in terms of TA Luft (German Clean Air Act")<sup>3)</sup>)

#### Housing support

Stainless steel ,304

#### Accessories

##### Weather protection cover

Stainless steel 1.4404 (316L)

#### Process connections

ASME B16.5



For information on the materials of the process connections (→ 56)

3) Only available for the DSC sensor, not for inspection ports.



## Operability

### Operating concept

#### Operator-oriented menu structure for user-specific tasks

- Commissioning
- Operation
- Diagnostics
- Expert level

#### Quick and safe commissioning

- Guided menus ("Make-it-run" wizards) for applications
- Menu guidance with brief explanations of the individual parameter functions

#### Reliable operation

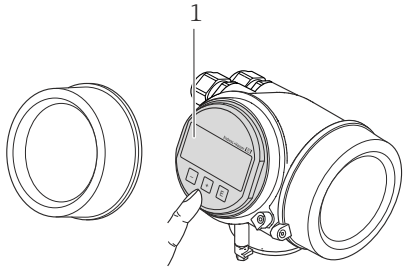
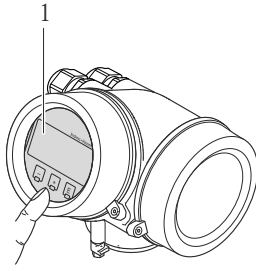
- Operation in the following languages:
  - Via local display:
    - English, German, French, Spanish, Italian, Dutch, Portuguese, Polish, Russian, Swedish, Turkish, Chinese, Japanese, Korean, Bahasa (Indonesian), Vietnamese, Czech
  - Via "FieldCare" operating tool:
    - English, German, French, Spanish, Italian, Chinese, Japanese
- Uniform operating philosophy applied to device and operating tools
- If replacing the electronic module, transfer the device configuration via the integrated memory (integrated HistoROM) which contains the process and measuring device data and the event logbook. No need to reconfigure.

#### Efficient diagnostics increase measurement availability

- Troubleshooting measures can be called up via the device and in the operating tools
- Diverse simulation options, logbook for events that occur and optional line recorder functions

### Local operation

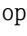
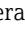
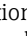
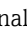

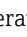
#### Via display module

Order code for "Display; Operation", option <b>C</b> "SD02"	Order code for "Display; Operation", option <b>E</b> "SD03"
 <p style="text-align: right; font-size: small;">A0015544</p>	 <p style="text-align: right; font-size: small;">A0015546</p>
1 <i>Operation with pushbuttons</i>	1 <i>Operation with touch control</i>

#### Display elements

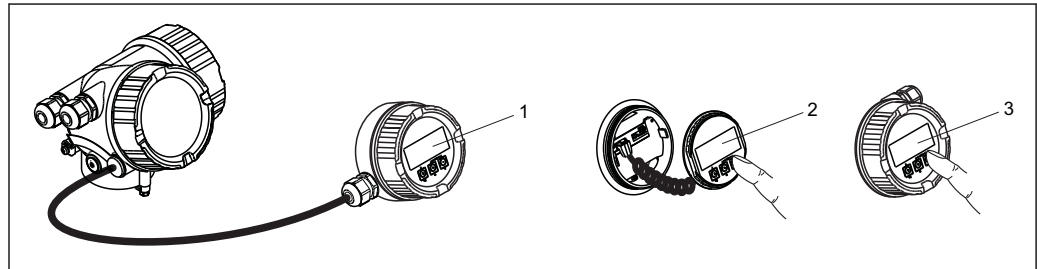
- 4-line display
- With order code for "Display; operation", option **E**:
  - White background lighting; switches to red in event of device errors
- Format for displaying measured variables and status variables can be individually configured
- Permitted ambient temperature for the display: -20 to +60 °C (-4 to +140 °F)
  - The readability of the display may be impaired at temperatures outside the temperature range.

#### Operating elements

- With order code for "Display; operation", option **C**:
  - Local operation with 3 push buttons:   
- With order code for "Display; operation", option **E**:
  - External operation via touch control; 3 optical keys:   
- Operating elements also accessible in various hazardous areas

**Additional functionality**

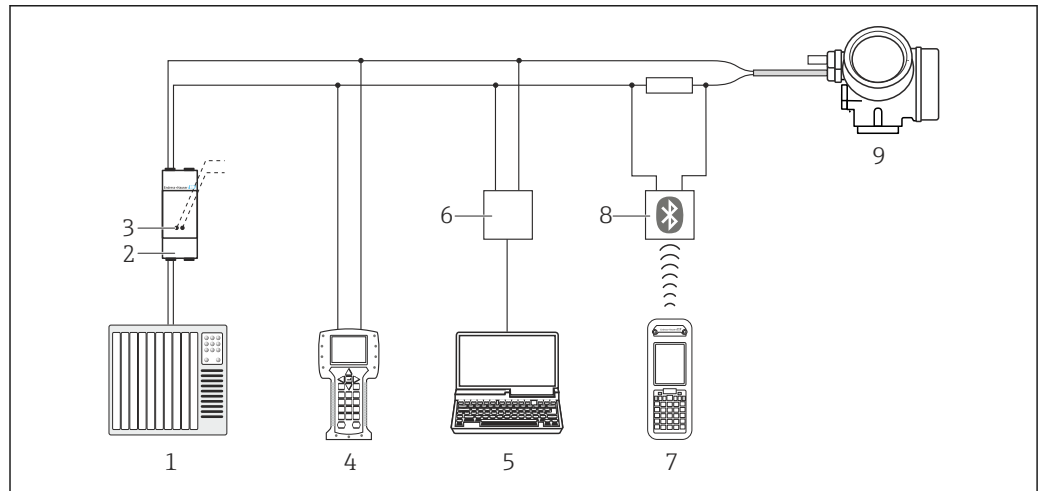
- Data backup function  
The device configuration can be saved in the display module.
- Data comparison function  
The device configuration saved in the display module can be compared to the current device configuration.
- Data transfer function  
The transmitter configuration can be transmitted to another device using the display module.

**Via remote display and operating module FHX50**

A0013137

23 Operating options via FHX50

- 1 Housing of remote display and operating module FHX50
- 2 SD02 display and operating module, push buttons: cover must be opened for operation
- 3 SD03 display and operating module, optical buttons: operation possible through cover glass

**Remote operation****Via HART protocol**

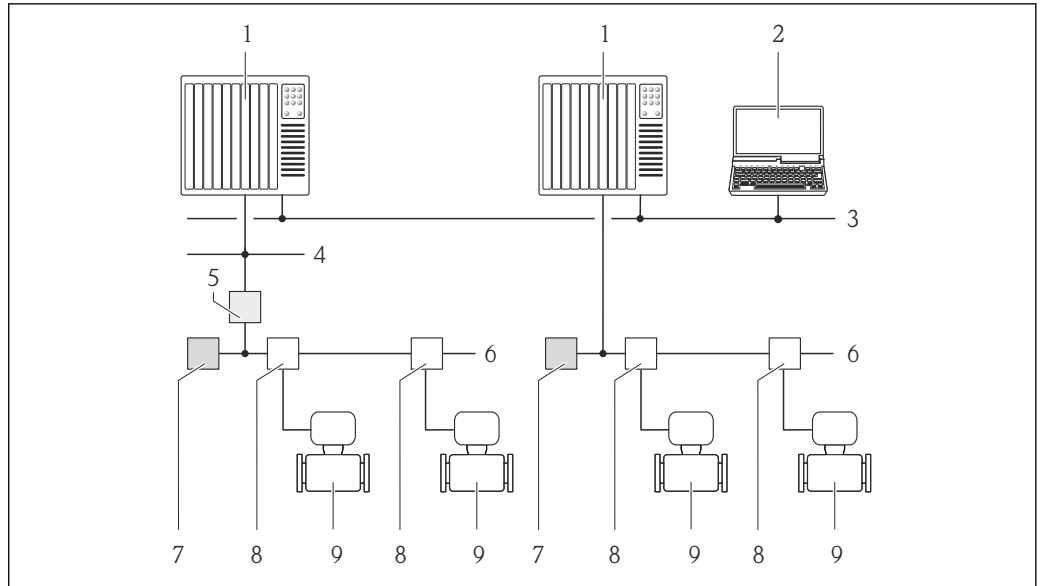
A0013764

24 Options for remote operation via HART protocol

- 1 Control system (e.g. PLC)
- 2 Transmitter power supply unit, e.g. RN221N (with communication resistor)
- 3 Connection for Commubox FXA195 and Field Communicator 475
- 4 Field Communicator 475
- 5 Computer with operating tool (e.g. FieldCare, AMS Device Manager, SIMATIC PDM)
- 6 Commubox FXA195 (USB)
- 7 Field Xpert SFX350 or SFX370
- 8 VIATOR Bluetooth modem with connecting cable
- 9 Transmitter

**Via FOUNDATION Fieldbus network**

This communication interface is present in the following device version:  
Order code for "Output", option **E**: FOUNDATION Fieldbus

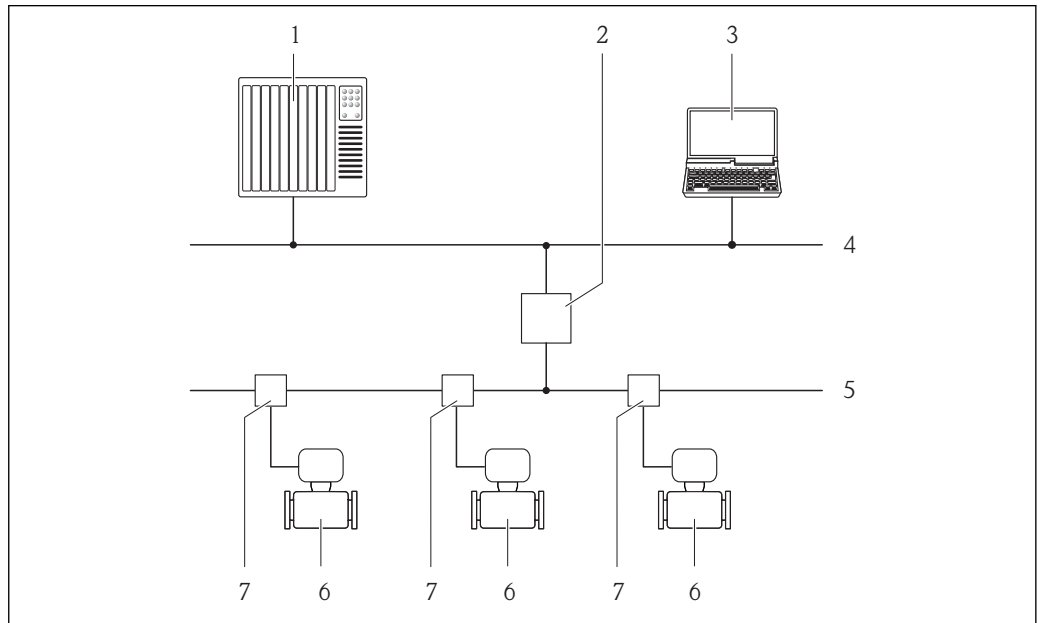


A0023460

- 1 Automation system
- 2 Computer with FOUNDATION Fieldbus network card
- 3 Industry network
- 4 High Speed Ethernet FF-HSE network
- 5 Segment coupler FF-HSE/FF-H1
- 6 FOUNDATION Fieldbus FF-H1 network
- 7 Power supply FF-H1 network
- 8 T-box
- 9 Measuring device

**Via PROFIBUS PA network**

This communication interface is present in the following device version:  
 Order code for "Output", option **G**: PROFIBUS PA

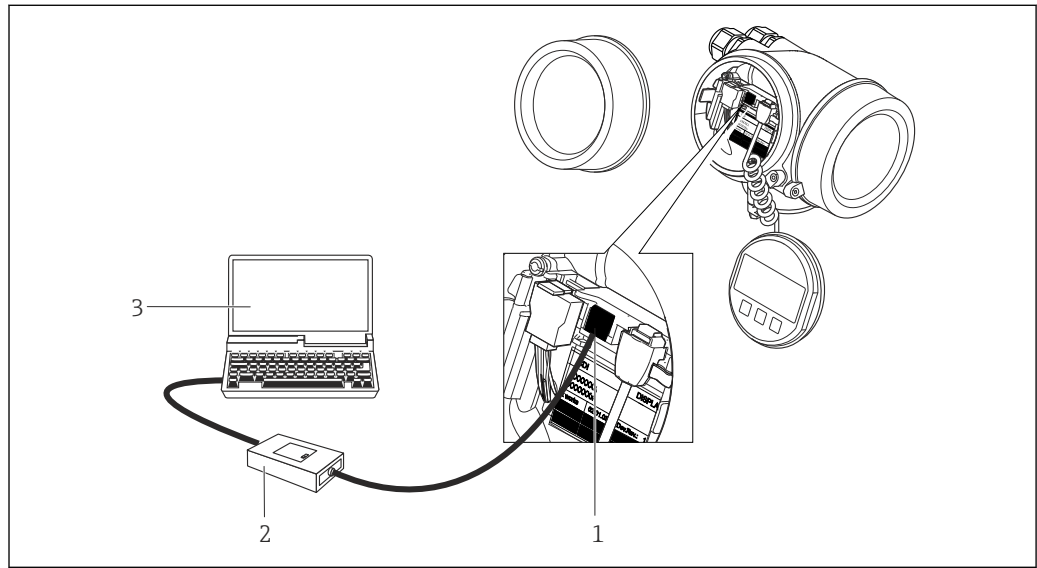


A0019013

- 1 Automation system
- 2 Segment coupler PROFIBUS DP/PA
- 3 Computer with PROFIBUS network card
- 4 PROFIBUS DP network
- 5 PROFIBUS PA network
- 6 Measuring device
- 7 T-box

Service interface

Service interface (CDI)



- 1 Service interface (CDI = Endress+Hauser Common Data Interface) of the measuring device
- 2 Commubox FXA291
- 3 Computer with "FieldCare" operating tool with COM DTM "CDI Communication FXA291"

A0020545

## Certificates and approvals

C-Tick symbol

The measuring system meets the EMC requirements of the "Australian Communications and Media Authority (ACMA)".

Ex approval

The measuring device is certified for use in hazardous areas and the relevant safety instructions are provided in the separate "Safety Instructions" (XA) document. Reference is made to this document on the nameplate.

**i** The separate Ex documentation (XA) containing all the relevant explosion protection data is available from your Endress+Hauser sales center.

cCSAus

Currently, the following versions for use in hazardous areas are available:

XP

Category	Type of protection
Class I, II, III Division 1 Groups A-G	XP (Ex d Flameproof version)


IS

Category	Type of protection
Class I, II, III Division 1 Groups A-G	IS (Ex i Intrinsically safe version)

NI

Category	Type of protection
Class I Division 2 Groups ABCD	NI (Non-incentive version), NIFW-Parameter*

\*= Entity- und NIFW-Parameter gemäß Control Drawings

<b>Functional safety</b>	<p>The measuring device can be used for flow monitoring systems (min., max., range) up to SIL 2 (single-channel architecture) and SIL 3 (multichannel architecture with homogeneous redundancy) and is independently evaluated and certified by the TÜV in accordance with IEC 61508.</p> <p>The following types of monitoring in safety equipment are possible: Volume flow</p> <p> Functional Safety Manual with information on the SIL device (→ 66)</p>
<b>FOUNDATION Fieldbus certification</b>	<p><b>FOUNDATION Fieldbus interface</b></p> <p>The measuring device is certified and registered by the Fieldbus FOUNDATION. The measuring system meets all the requirements of the following specifications:</p> <ul style="list-style-type: none"> <li>■ Certified in accordance with FOUNDATION Fieldbus H1</li> <li>■ Interoperability Test Kit (ITK), revision version 6.1.1 (certificate available on request)</li> <li>■ Physical Layer Conformance Test</li> <li>■ The device can also be operated with certified devices of other manufacturers (interoperability)</li> </ul>
<b>Certification PROFIBUS</b>	<p><b>PROFIBUS interface</b></p> <p>The measuring device is certified and registered by the PROFIBUS User Organization (PNO). The measuring system meets all the requirements of the following specifications:</p> <ul style="list-style-type: none"> <li>■ Certified in accordance with PROFIBUS PA Profile 3.02</li> <li>■ The device can also be operated with certified devices of other manufacturers (interoperability)</li> </ul>
<b>Experience</b>	<p>The Prowirl 200 measuring system is the official successor to Prowirl 72 and Prowirl 73.</p>
<b>Other standards and guidelines</b>	<ul style="list-style-type: none"> <li>■ EN 60529 Degrees of protection provided by enclosures (IP code)</li> <li>■ DIN ISO 13359 Measurement of conductive liquid flow in closed conduits - Flanged-type electromagnetic flowmeters - Overall length</li> <li>■ EN 61010-1 Safety requirements for electrical equipment for measurement, control and laboratory use</li> <li>■ IEC/EN 61326 Emission in accordance with Class A requirements. Electromagnetic compatibility (EMC requirements).</li> <li>■ NAMUR NE 21 Electromagnetic compatibility (EMC) of industrial process and laboratory control equipment</li> <li>■ NAMUR NE 32 Data retention in the event of a power failure in field and control instruments with microprocessors</li> <li>■ NAMUR NE 43 Standardization of the signal level for the breakdown information of digital transmitters with analog output signal.</li> <li>■ NAMUR NE 53 Software of field devices and signal-processing devices with digital electronics</li> <li>■ NAMUR NE 105 Specifications for integrating fieldbus devices in engineering tools for field devices</li> <li>■ NAMUR NE 107 Self-monitoring and diagnosis of field devices</li> <li>■ NAMUR NE 131 Requirements for field devices for standard applications</li> <li>■ ASME BPVC Section VIII, Division 1 Rules for Construction of Pressure Vessels</li> </ul>

## Ordering information

Detailed ordering information is available from the following sources:

- In the Product Configurator on the Endress+Hauser web site: [www.endress.com](http://www.endress.com) → Choose your country → Products → Select measuring technology, software or components → Select product (picklists: measurement method, product family etc.) → Device support (right-hand column): Configure the selected product → The Product Configurator for the selected product is opened.
- From your Endress+Hauser Sales Center: [www.addresses.endress.com](http://www.addresses.endress.com)



### Product Configurator - the tool for individual product configuration

- Up-to-the-minute configuration data
- Depending on the device: Direct input of measuring point-specific information such as measuring range or operating language
- Automatic verification of exclusion criteria
- Automatic creation of the order code and its breakdown in PDF or Excel output format
- Ability to order directly in the Endress+Hauser Online Shop

## Application packages

Many different application packages are available to enhance the functionality of the device. Such packages might be needed to address safety aspects or specific application requirements.

The application packages can be ordered from Endress+Hauser either directly with the device or subsequently. Detailed information on the order code in question is available from your local Endress+Hauser sales center or on the product page of the Endress+Hauser website: [www.endress.com](http://www.endress.com).



Detailed information on the application packages:  
Special Documentation on the device (→ 67)

### Diagnostics functions

Package	Description
HistoROM extended function	<p>Comprises extended functions concerning the event log and the activation of the measured value memory.</p> <p>Event log: Memory volume is extended from 20 message entries (basic version) to up to 100 entries.</p> <p>Data logging (line recorder):</p> <ul style="list-style-type: none"> <li>▪ Memory capacity for up to 1000 measured values is activated.</li> <li>▪ 250 measured values can be output via each of the 4 memory channels. The recording interval can be defined and configured by the user.</li> <li>▪ Data logging is visualized via the local display or FieldCare.</li> </ul>

### Heartbeat Technology

Package	Description
Heartbeat Verification	<p><b>Heartbeat Verification:</b> Makes it possible to check the device functionality on demand when the device is installed, without having to interrupt the process.</p> <ul style="list-style-type: none"> <li>▪ Access via onsite operation or other operating interfaces, such as FieldCare for instance.</li> <li>▪ Documentation of device functionality within the framework of manufacturer specifications, for proof testing for instance.</li> <li>▪ End-to-end, traceable documentation of the verification results, including report.</li> <li>▪ Makes it possible to extend calibration intervals in accordance with operator's risk assessment.</li> </ul>

**Air and industrial gases**

Package	Description
Air and industrial gases	<p>This application package enables users to calculate the density and energy of air and industrial gases. The calculations are based on time-tested standard calculation methods. It is possible to automatically compensate for the effect of pressure and temperature via an external or constant value.</p> <p>With this application package it is possible to output the energy flow, standard volume flow and mass flow of the following fluids:</p> <ul style="list-style-type: none"> <li>▪ Air</li> <li>▪ Single gas</li> <li>▪ Gas mixture</li> <li>▪ User-specific gas</li> </ul>

**Natural gas**


Package	Description
Natural gas	<p>This application package enables users to calculate the chemical properties (gross calorific value, net calorific value) of natural gases. The calculations are based on time-tested standard calculation methods. It is possible to automatically compensate for the effect of pressure and temperature via an external or constant value.</p> <p>With this application package it is possible to output the energy flow, standard volume flow and mass flow based on the following standard methods:</p> <p>Energy can be calculated based on the following standards:</p> <ul style="list-style-type: none"> <li>▪ AGA5</li> <li>▪ ISO 6976</li> <li>▪ GPA 2172</li> </ul> <p>Density can be calculated based on the following standards:</p> <ul style="list-style-type: none"> <li>▪ ISO 12213-2 (AGA8-DC92)</li> <li>▪ ISO 12213-3</li> <li>▪ AGA NX19</li> <li>▪ AGA8 Gross 1</li> <li>▪ SGERG 88</li> </ul>







## Accessories

Various accessories, which can be ordered with the device or subsequently from Endress+Hauser, are available for the device. Detailed information on the order code in question is available from your local Endress+Hauser sales center or on the product page of the Endress+Hauser website: [www.endress.com](http://www.endress.com).


**Device-specific accessories**

**For the transmitter**

Accessories	Description
Prowirl 200 transmitter	<p>Transmitter for replacement or for stock. Use the order code to define the following specifications:</p> <ul style="list-style-type: none"> <li>▪ Approvals</li> <li>▪ Output</li> <li>▪ Display / operation</li> <li>▪ Housing</li> <li>▪ Software</li> </ul> <p> For details, see Installation Instructions EA01056D</p>









Remote display FHX50	<p>FHX50 housing to accommodate a display module (→  58).</p> <ul style="list-style-type: none"> <li>■ FHX50 housing suitable for: <ul style="list-style-type: none"> <li>– SD02 display module (push buttons)</li> <li>– SD03 display module (touch control)</li> </ul> </li> <li>■ Housing material: <ul style="list-style-type: none"> <li>– Plastic PBT</li> <li>– 316L</li> </ul> </li> <li>■ Length of connecting cable: up to max. 60 m (196 ft) (cable lengths available for order: 5 m (16 ft), 10 m (32 ft), 20 m (65 ft), 30 m (98 ft))</li> </ul> <p>The measuring device can be ordered with the FHX50 housing and a display module. The following options must be selected in the separate order codes:</p> <ul style="list-style-type: none"> <li>■ Order code for measuring device, feature 030: Option L or M "Prepared for FHX50 display"</li> <li>■ Order code for FHX50 housing, feature 050 (device version): Option A "Prepared for FHX50 display"</li> <li>■ Order code for FHX50 housing, depends on the desired display module in feature 020 (display, operation): <ul style="list-style-type: none"> <li>– Option C: for an SD02 display module (push buttons)</li> <li>– Option E: for an SD03 display module (touch control)</li> </ul> </li> </ul> <p>The FHX50 housing can also be ordered as a retrofit kit. The measuring device display module is used in the FHX50 housing. The following options must be selected in the order code for the FHX50 housing:</p> <ul style="list-style-type: none"> <li>■ Feature 050 (measuring device version): option B "Not prepared for FHX50 display"</li> <li>■ Feature 020 (display, operation): option A "None, existing displayed used"</li> </ul> <p> For details, see Special Documentation SD01007F</p>
Overvoltage protection for 2-wire devices	<p>Ideally, the overvoltage protection module should be ordered directly with the device. See product structure, characteristic 610 "Accessory mounted", option NA "Overvoltage protection". Separate order necessary only if retrofitting.</p> <ul style="list-style-type: none"> <li>■ OVP10: For 1-channel devices (characteristic 020, option A):</li> <li>■ OVP20: For 2-channel devices (characteristic 020, options B, C, E or G)</li> </ul> <p> For details, see Special Documentation SD01090F.</p>
Weather protection cover	<p>Is used to protect the measuring device from the effects of the weather: e.g. rainwater, excess heating from direct sunlight or extreme cold in winter.</p> <p> For details, see Special Documentation SD00333F</p>
Connecting cable for remote version	<ul style="list-style-type: none"> <li>■ Connecting cable available in various lengths: <ul style="list-style-type: none"> <li>– 5 m (16 ft)</li> <li>– 10 m (32 ft)</li> <li>– 20 m (65 ft)</li> <li>– 30 m (98 ft)</li> </ul> </li> <li>■ Reinforced cables available on request.</li> </ul> <p> Standard length: 5 m (16 ft) Is always supplied if no other cable length has been ordered.</p>
Post mounting kit	<p>Post mounting kit for transmitter.</p> <p> The post mounting kit can only be ordered together with a transmitter.</p>

#### For the sensor

Accessories	Description
Inspection kit	<p>The inspection kit comprises:</p> <ul style="list-style-type: none"> <li>■ 2 inspection centering sleeves</li> <li>■ 8 screws</li> <li>■ 2 inspection seals</li> <li>■ 2 inspection covers</li> </ul> <p> For details, see Installation Instructions EA01058D</p>




**Communication-specific accessories**






Accessories	Description
Commubox FXA195 HART	For intrinsically safe HART communication with FieldCare via the USB interface.  For details, see "Technical Information" TI00404F
Commubox FXA291	Connects Endress+Hauser field devices with a CDI interface (= Endress+Hauser Common Data Interface) and the USB port of a computer or laptop.  For details, see the "Technical Information" document TI405C/07
HART Loop Converter HMX50	Is used to evaluate and convert dynamic HART process variables to analog current signals or limit values.  For details, see "Technical Information" TI00429F and Operating Instructions BA00371F
Wireless HART adapter SWA70	Is used for the wireless connection of field devices. The WirelessHART adapter can be easily integrated into field devices and existing infrastructures, offers data protection and transmission safety and can be operated in parallel with other wireless networks with minimum cabling complexity.  For details, see Operating Instructions BA00061S
Fieldgate FXA320	Gateway for the remote monitoring of connected 4-20 mA measuring devices via a Web browser.  For details, see "Technical Information" TI00025S and Operating Instructions BA00053S
Fieldgate FXA520	Gateway for the remote diagnostics and remote configuration of connected HART measuring devices via a Web browser.  For details, see "Technical Information" TI00025S and Operating Instructions BA00051S
Field Xpert SFX350	Field Xpert SFX350 is a mobile computer for commissioning and maintenance. It enables efficient device configuration and diagnostics for HART and FOUNDATION Fieldbus devices in the <b>non-Ex area</b> .  For details, see Operating Instructions BA01202S
Field Xpert SFX370	Field Xpert SFX370 is a mobile computer for commissioning and maintenance. It enables efficient device configuration and diagnostics for HART and FOUNDATION Fieldbus devices in the <b>non-Ex area</b> and the <b>Ex area</b> .  For details, see Operating Instructions BA01202S

**Service-specific accessories**


Accessories	Description
Applicator	Software for selecting and sizing Endress+Hauser measuring devices: <ul style="list-style-type: none"> <li>▪ Calculation of all the necessary data for identifying the optimum flowmeter: e.g. nominal diameter, pressure loss, accuracy or process connections.</li> <li>▪ Graphic illustration of the calculation results</li> </ul> Administration, documentation and access to all project-related data and parameters over the entire life cycle of a project. Applicator is available: <ul style="list-style-type: none"> <li>▪ Via the Internet: <a href="https://wapps.endress.com/applicator">https://wapps.endress.com/applicator</a></li> <li>▪ On CD-ROM for local PC installation.</li> </ul>

W@M	<p>Life cycle management for your plant</p> <p>W@M supports you with a wide range of software applications over the entire process: from planning and procurement, to the installation, commissioning and operation of the measuring devices. All the relevant device information, such as the device status, spare parts and device-specific documentation, is available for every device over the entire life cycle.</p> <p>The application already contains the data of your Endress+Hauser device. Endress+Hauser also takes care of maintaining and updating the data records.</p> <p>W@M is available:</p> <ul style="list-style-type: none"> <li>▪ Via the Internet: <a href="http://www.endress.com/lifecyclemanagement">www.endress.com/lifecyclemanagement</a></li> <li>▪ On CD-ROM for local PC installation.</li> </ul>
FieldCare	<p>FDT-based plant asset management tool from Endress+Hauser.</p> <p>It can configure all smart field units in your system and helps you manage them. By using the status information, it is also a simple but effective way of checking their status and condition.</p> <p> For details, see Operating Instructions BA00027S and BA00059S</p>

## System components

Accessories	Description
Memograph M graphic display recorder	<p>The Memograph M graphic display recorder provides information on all relevant measured variables. Measured values are recorded correctly, limit values are monitored and measuring points analyzed. The data are stored in the 256 MB internal memory and also on a SD card or USB stick.</p> <p> For details, see "Technical Information" TI00133R and Operating Instructions BA00247R</p>
RN221N	<p>Active barrier with power supply for safe separation of 4-20 mA standard signal circuits. Offers bidirectional HART transmission.</p> <p> For details, see "Technical Information" TI00073R and Operating Instructions BA00202R</p>
RNS221	<p>Supply unit for powering two 2-wire measuring devices solely in the non-Ex area. Bidirectional communication is possible via the HART communication jacks.</p> <p> For details, see "Technical Information" TI00081R and Brief Operating Instructions KA00110R</p>
Cerabar M	<p>The pressure transmitter for measuring the absolute and gauge pressure of gases, steam and liquids. It can be used to read in the operating pressure value.</p> <p> For details, see "Technical Information" TI00426P, TI00436P and Operating Instructions BA00200P, BA00382P</p>
Cerabar S	<p>The pressure transmitter for measuring the absolute and gauge pressure of gases, steam and liquids. It can be used to read in the operating pressure value.</p> <p> For details, see "Technical Information" TI00383P and Operating Instructions BA00271P</p>

## Documentation

-  For an overview of the scope of the associated Technical Documentation, refer to the following:
- The CD-ROM provided for the device (depending on the device version, the CD-ROM might not be part of the delivery!)
  - The *W@M Device Viewer* : Enter the serial number from the nameplate ([www.endress.com/deviceviewer](http://www.endress.com/deviceviewer))
  - The *Endress+Hauser Operations App*: Enter the serial number from the nameplate or scan the 2-D matrix code (QR code) on the nameplate.

## Standard documentation

### Brief Operating Instructions

Measuring device	Documentation code
Prowirl C 200	KA01134D

### Operating Instructions

Measuring device	Documentation code		
	HART	FOUNDATION Fieldbus	PROFIBUS PA
Prowirl C 200	BA01152D	BA01215D	BA01220D

### Supplementary device-dependent documentation

#### Safety Instructions

Contents	Documentation code
cCSA <sub>US</sub> XP	XA01153D
cCSA <sub>US</sub> IS	XA01154D

#### Special Documentation

Contents	Documentation code
Functional Safety Manual	SD01162D
Heartbeat Technology	SD01204D
Natural gas	SD01194D
Air + Industrial Gases (Single Gas + Gas Mixtures)	SD01195D
ERCB Dir. 017	SD01213D

#### Installation Instructions

Contents	Documentation code
Installation Instructions for spare part sets	Specified for each individual accessory (→ 63)

## Registered trademarks

#### HART®

Registered trademark of the HART Communication Foundation, Austin, USA

#### PROFIBUS®

Registered trademark of the PROFIBUS User Organization, Karlsruhe, Germany

#### FOUNDATION™ Fieldbus

Registration-pending trademark of the Fieldbus Foundation, Austin, Texas, USA

#### KALREZ®, VITON®

Registered trademarks of DuPont Performance Elastomers L.L.C., Wilmington, DE USA

#### GYLON®

Registered trademark of Garlock Sealing Technologies, Palmyra, NY, USA

#### Applicator®, FieldCare®, Field Xpert™, HistoROM®, Heartbeat Technology™

Registered or registration-pending trademarks of the Endress+Hauser Group

[www.addresses.endress.com](http://www.addresses.endress.com)

---