

# Technical Information

## Proline Prowirl D 200

Vortex flowmeter



Cost-effective wafer-flange measuring device, available in compact or remote version

### Application

- Preferred measuring principle for wet/saturated/superheated steam, gases & liquids (also cryogenic)
- For all basic applications and for 1-to-1 replacement of orifice plates

### Device properties

- Face-to-face length of 65 mm (2.56 in)
- No flanges
- Low weight
- Display module with data transfer function
- Robust dual-compartment housing
- Plant safety: worldwide approvals (SIL, Haz. area)

### Your benefits

- Integrated temperature measurement for mass/energy flow of saturated steam
- Easy alignment of the sensor – included centering rings
- High availability – proven robustness, resistance to vibrations, temperature shocks & water hammer
- Long-term stability – robust drift-free capacitive sensor
- Convenient device wiring – separate connection compartment
- Safe operation – no need to open the device due to display with touch control, background lighting
- Integrated verification – Heartbeat Technology






## Table of contents

<b>About this document</b> . . . . .	<b>3</b>	Vibration resistance . . . . .	44
Symbols used . . . . .	3	Shock resistance . . . . .	44
<b>Function and system design</b> . . . . .	<b>4</b>	Impact resistance . . . . .	44
Measuring principle . . . . .	4	Electromagnetic compatibility (EMC) . . . . .	44
Measuring system . . . . .	7	<b>Process</b> . . . . .	<b>44</b>
<b>Input</b> . . . . .	<b>7</b>	Medium temperature range . . . . .	44
Measured variable . . . . .	7	Pressure-temperature ratings . . . . .	45
Measuring range . . . . .	8	Nominal pressure of sensor . . . . .	46
Operable flow range . . . . .	12	Pressure loss . . . . .	46
Input signal . . . . .	13	Thermal insulation . . . . .	46
<b>Output</b> . . . . .	<b>13</b>	<b>Mechanical construction</b> . . . . .	<b>47</b>
Output signal . . . . .	13	Dimensions in SI units . . . . .	47
Signal on alarm . . . . .	15	Dimensions in US units . . . . .	53
Load . . . . .	16	Weight . . . . .	57
Ex connection data . . . . .	17	Materials . . . . .	60
Low flow cut off . . . . .	22	<b>Operability</b> . . . . .	<b>63</b>
Galvanic isolation . . . . .	22	Operating concept . . . . .	63
Protocol-specific data . . . . .	22	Languages . . . . .	63
<b>Power supply</b> . . . . .	<b>24</b>	Local operation . . . . .	63
Terminal assignment . . . . .	24	Remote operation . . . . .	64
Pin assignment, device plug . . . . .	26	Service interface . . . . .	66
Supply voltage . . . . .	26	<b>Certificates and approvals</b> . . . . .	<b>67</b>
Power consumption . . . . .	27	CE mark . . . . .	67
Current consumption . . . . .	27	C-Tick symbol . . . . .	67
Power supply failure . . . . .	28	Ex approval . . . . .	67
Electrical connection . . . . .	28	Functional safety . . . . .	69
Potential equalization . . . . .	32	HART certification . . . . .	69
Terminals . . . . .	32	FOUNDATION Fieldbus certification . . . . .	69
Cable entries . . . . .	32	Certification PROFIBUS . . . . .	69
Cable specification . . . . .	32	Pressure Equipment Directive . . . . .	69
Overvoltage protection . . . . .	33	Experience . . . . .	70
<b>Performance characteristics</b> . . . . .	<b>34</b>	Other standards and guidelines . . . . .	70
Reference operating conditions . . . . .	34	<b>Ordering information</b> . . . . .	<b>70</b>
Maximum measured error . . . . .	34	Product generation index . . . . .	71
Repeatability . . . . .	36	<b>Application packages</b> . . . . .	<b>71</b>
Response time . . . . .	36	Diagnostics functions . . . . .	71
Influence of ambient temperature . . . . .	37	Heartbeat Technology . . . . .	71
<b>Installation</b> . . . . .	<b>37</b>	<b>Accessories</b> . . . . .	<b>71</b>
Mounting location . . . . .	37	Device-specific accessories . . . . .	72
Orientation . . . . .	37	Communication-specific accessories . . . . .	73
Inlet and outlet runs . . . . .	38	Service-specific accessories . . . . .	74
Mounting kit for disc (wafer version) . . . . .	40	System components . . . . .	74
Length of connecting cable . . . . .	41	<b>Supplementary documentation</b> . . . . .	<b>75</b>
Mounting the transmitter housing . . . . .	41	Standard documentation . . . . .	75
Special mounting instructions . . . . .	42	Supplementary device-dependent documentation . . . . .	75
<b>Environment</b> . . . . .	<b>43</b>	<b>Registered trademarks</b> . . . . .	<b>76</b>
Ambient temperature range . . . . .	43		
Storage temperature . . . . .	43		
Climate class . . . . .	43		
Degree of protection . . . . .	43		


## About this document

### Symbols used









#### Electrical symbols

Symbol	Meaning
	Direct current
	Alternating current
	Direct current and alternating current
	<b>Ground connection</b> A grounded terminal which, as far as the operator is concerned, is grounded via a grounding system.
	<b>Protective Earth (PE)</b> A terminal which must be connected to ground prior to establishing any other connections.  The ground terminals are situated inside and outside the device: <ul style="list-style-type: none"> <li>▪ Inner ground terminal: Connects the protective earth to the mains supply.</li> <li>▪ Outer ground terminal: Connects the device to the plant grounding system.</li> </ul>

#### Communication symbols




Symbol	Meaning
	<b>Wireless Local Area Network (WLAN)</b> Communication via a wireless, local network.

#### Symbols for certain types of information

Symbol	Meaning
	<b>Permitted</b> Procedures, processes or actions that are permitted.
	<b>Preferred</b> Procedures, processes or actions that are preferred.
	<b>Forbidden</b> Procedures, processes or actions that are forbidden.
	<b>Tip</b> Indicates additional information.
	Reference to documentation.
	Reference to page.
	Reference to graphic.
	Visual inspection.

#### Symbols in graphics

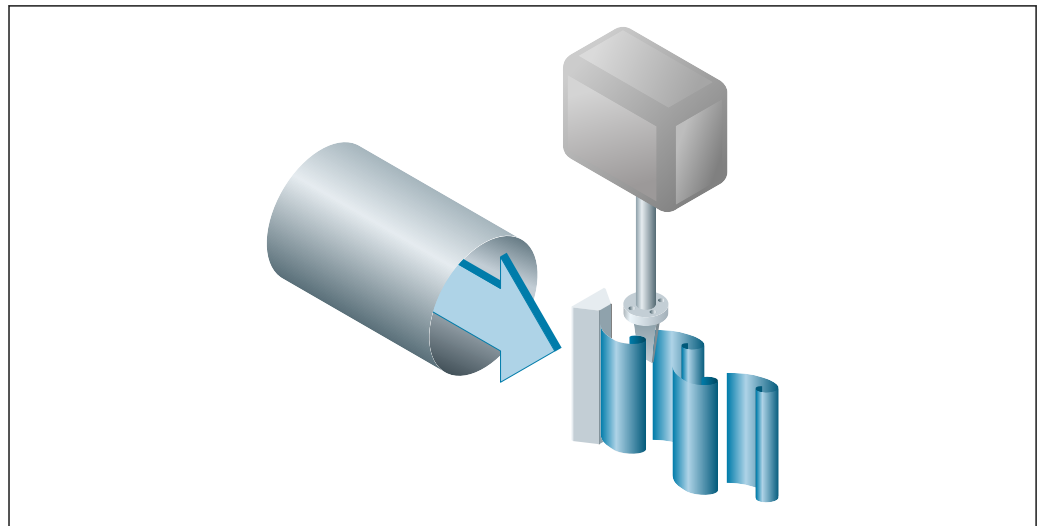
Symbol	Meaning
1, 2, 3, ...	Item numbers
<a href="#">1</a> , <a href="#">2</a> , <a href="#">3</a> , ...	Series of steps
A, B, C, ...	Views
A-A, B-B, C-C, ...	Sections

Symbol	Meaning
	Hazardous area
	Safe area (non-hazardous area)
	Flow direction

## Function and system design

### Measuring principle

Vortex meters work on the principle of the *Karman vortex street*. When fluid flows past a bluff body, vortices are alternately formed on both sides with opposite directions of rotation. These vortices each generate a local low pressure. The pressure fluctuations are recorded by the sensor and converted to electrical pulses. The vortices develop very regularly within the permitted application limits of the device. Therefore, the frequency of vortex shedding is proportional to the volume flow.



A0033465

 1 Sample graphic

The calibration factor (K-factor) is used as the proportional constant:

$$\text{K-Factor} = \frac{\text{Pulses}}{\text{Unit Volume [m}^3\text{]}}$$

A0003939-EN

Within the application limits of the device, the K-factor only depends on the geometry of the device. It is for  $Re > 20\,000$ :

- Independent of the flow velocity and the fluid properties viscosity and density
- Independent of the type of substance under measurement: steam, gas or liquid

The primary measuring signal is linear to the flow. After production, the K-factor is determined in the factory by means of calibration. It is not subject to long-time drift or zero-point drift.

The device does not contain any moving parts and does not require any maintenance.

### The capacitance sensor

The sensor of a vortex flowmeter has a major influence on the performance, robustness and reliability of the entire measuring system.

The robust DSC sensor is:

- burst-tested
- tested against vibrations
- tested against thermal shock (thermal shocks of 150 K/s)

The measuring device uses the tried-and-tested, capacitance measuring technology from Endress+Hauser, which is already in use in over 450 000 measuring points worldwide. Thanks to its design, the capacitance sensor is also particularly mechanically resistant to temperature shocks and pressure shocks in steam pipelines.

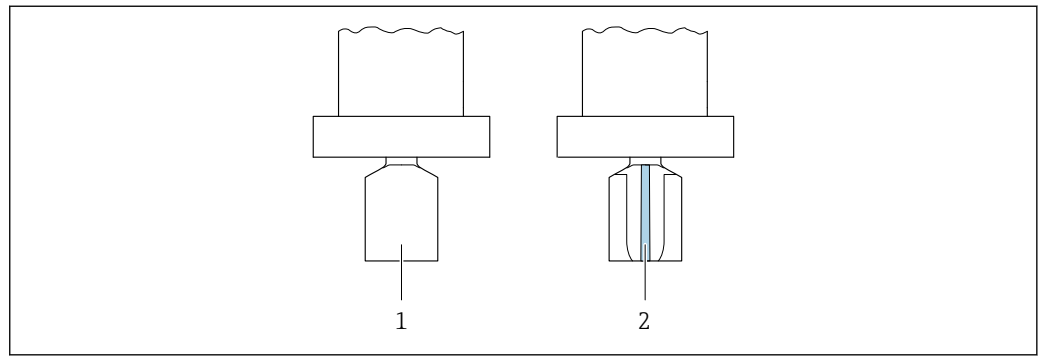
#### Temperature measurement

The "mass" option is available under the order code for "Sensor version". With this option the measuring device can also measure the temperature of the medium.

The temperature is measured via Pt 1000 temperature sensors. These are located in the paddle of the DSC sensor and are therefore in the direct vicinity of the fluid.

Order code for "Sensor version; DSC sensor; measuring tube":

- Option AA "volume; 316L; 316L"
- Option BA "volume high-temperature; 316L; 316L"
- Option CA "Mass; 316L; 316L (integrated temperature measurement)"



- 1 Order code for "Sensor version", option "volume" or "volume high-temperature"  
 2 Order code for "Sensor version", option "mass"

#### Lifelong calibration

Experience has shown that recalibrated measuring devices demonstrate a very high degree of stability compared to their original calibration: The recalibration values were all within the original measuring accuracy specifications of the devices. This applies to the measured volume flow, the device's primary measured variable.

Various tests and simulation have shown that once the radii of the edges on the bluff body are less than 1 mm (0.04 in), the resulting effect does not have a negative impact on accuracy.

If the radii of the edges on the bluff body do not exceed 1 mm (0.04 in), the following general statements apply (in the case of non-abrasive and non-corrosive media, such as in most water and steam applications):

- The measuring device does not display an offset in the calibration and the accuracy is still guaranteed.
- All the edges on the bluff body have a radius that is typically smaller in size. As the measuring devices are naturally also calibrated with these radii, the measuring device remains within the specified accuracy rating provided that the additional radius that is produced as a result of wear and tear does not exceed 1 mm (0.04 in).

Consequently, it can be said that the product line offers lifelong calibration if the measuring device is used in non-abrasive and non-corrosive media.

#### Air and industrial gases

The measuring device enables users to calculate the density and energy of air and industrial gases. The calculations are based on time-tested standard calculation methods. It is possible to automatically compensate for the effect of pressure and temperature via an external or constant value.

This makes it possible to output the energy flow, standard volume flow and mass flow of the following gases:

- Single gas
- Gas mixture
- Air
- User-specific gas



For detailed information on the parameters, see the Operating Instructions. → 75

### **Natural gas**

The device enables users to calculate the chemical properties (gross calorific value, net calorific value) of natural gases. The calculations are based on time-tested standard calculation methods. It is possible to automatically compensate for the effect of pressure and temperature via an external or constant value.

This makes it possible to output the energy flow, standard volume flow and mass flow in accordance with the following standard methods:

Energy can be calculated based on the following standards:

- AGA5
- ISO 6976
- GPA 2172

Density can be calculated based on the following standards:

- ISO 12213-2 (AGA8-DC92)
- ISO 12213-3
- AGA NX19
- AGA8 Gross 1
- SGERG 88



For detailed information on the parameters, see the Operating Instructions. → 75

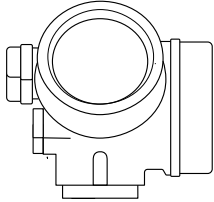
**Measuring system**

The device consists of a transmitter and a sensor.

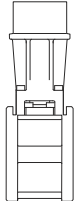
Two device versions are available:

- Compact version – transmitter and sensor form a mechanical unit.
- Remote version - transmitter and sensor are mounted in separate locations.

**Transmitter**

<p><b>Prowirl 200</b></p>  <p style="text-align: right; font-size: small;">A0013471</p>	<p>Device versions and materials:</p> <ul style="list-style-type: none"> <li>■ Compact or remote version, aluminum coated: Aluminum, AlSi10Mg, coated</li> <li>■ Compact or remote version, stainless: For maximum corrosion resistance: stainless steel, CF3M</li> </ul> <p>Configuration:</p> <ul style="list-style-type: none"> <li>■ Via four-line local display with key operation or via four-line, illuminated local display with touch control and guided menus ("Make-it-run" wizards) for applications</li> <li>■ Via operating tools (e.g. FieldCare)</li> </ul>
--	---

**Sensor**

<p><b>Prowirl D</b></p>  <p style="text-align: right; font-size: small;">A0009922</p>	<p>Disc (wafer version):</p> <ul style="list-style-type: none"> <li>■ Nominal diameter range: DN 15 to 150 (½ to 6")</li> <li>■ Materials: Measuring tubes: stainless steel, CF3M/1.4408</li> </ul>
---	---

**Input**

**Measured variable**

**Direct measured variables**

Order code for "Sensor version; DSC sensor; measuring tube"		
Option	Description	Measured variable
AA	Volume; 316L; 316L	Volume flow
BA	Volume high-temperature; 316L; 316L	

Order code for "Sensor version; DSC sensor; measuring tube"		
Option	Description	Measured variable
CA	Mass; 316L; 316L (integrated temperature measurement)	<ul style="list-style-type: none"> <li>■ Volume flow</li> <li>■ Temperature</li> </ul>

## Calculated measured variables


Order code for "Sensor version; DSC sensor; measuring tube"		
Option	Description	Measured variable
AA	Volume; 316L; 316L	Under constant process conditions: <ul style="list-style-type: none"> <li>■ Mass flow <sup>1)</sup></li> <li>■ Corrected volume flow</li> </ul> The totalized values for: <ul style="list-style-type: none"> <li>■ Volume flow</li> <li>■ Mass flow</li> <li>■ Corrected volume flow</li> </ul>
BA	Volume high-temperature; 316L; 316L	

- 1) A fixed density must be entered for calculating the mass flow (**Setup** menu → **Advanced setup** submenu → **External compensation** submenu → **Fixed density** parameter).

Order code for "Sensor version; DSC sensor; measuring tube"		
Option	Description	Measured variable
CA	Mass; 316L; 316L (integrated temperature measurement)	<ul style="list-style-type: none"> <li>■ Corrected volume flow</li> <li>■ Mass flow</li> <li>■ Calculated saturated steam pressure</li> <li>■ Energy flow</li> <li>■ Heat flow difference</li> <li>■ Specific volume</li> <li>■ Degrees of superheat</li> </ul>

## Measuring range

The measuring range is dependent on the nominal diameter, the fluid and environmental influences.

 The following specified values are the largest possible flow measuring ranges ( $Q_{\min}$  to  $Q_{\max}$ ) for each nominal diameter. Depending on the fluid properties and environmental influences, the measuring range may be subject to additional restrictions. Additional restrictions apply to both the lower range value and the upper range value.

## Flow measuring ranges in SI units

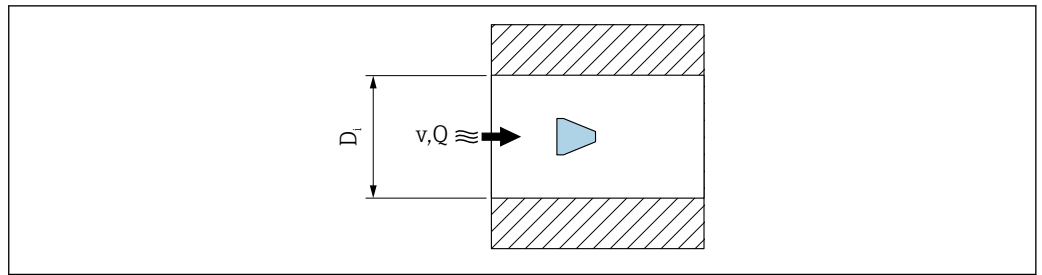
DN [mm]	Liquids [m <sup>3</sup> /h]	Gas/steam [m <sup>3</sup> /h]
15	0.06 to 4.9	0.3 to 25
25	0.18 to 15	0.9 to 130
40	0.45 to 37	2.3 to 310
50	0.75 to 62	3.8 to 820
80	1.7 to 140	8.5 to 1800
100	2.9 to 240	15 to 3200
150	6.7 to 540	33 to 7300

## Flow measuring ranges in US units

DN [in]	Liquids [ft <sup>3</sup> /min]	Gas/steam [ft <sup>3</sup> /min]
½	0.035 to 2.9	0.18 to 15
1	0.11 to 8.8	0.54 to 74
1½	0.27 to 22	1.3 to 180
2	0.44 to 36	2.2 to 480
3	1 to 81	5 to 1100
4	1.7 to 140	8.7 to 1900
6	3.9 to 320	20 to 4300



**Flow velocity**



A0033469

- $D_i$  Internal diameter of measuring tube (corresponds to dimension  $K \rightarrow$  47)
- $v$  Velocity in mating pipe
- $Q$  Flow

**i** The internal diameter of measuring tube  $D_i$  is denoted in the dimensions as dimension  $K$ .  $\rightarrow$  47.

Calculation of flow velocity:

$$v \text{ [m/s]} = \frac{4 \cdot Q \text{ [m}^3\text{/h]}}{\pi \cdot D_i \text{ [m]}^2} \cdot \frac{1}{3600 \text{ [s/h]}}$$

$$v \text{ [ft/s]} = \frac{4 \cdot Q \text{ [ft}^3\text{/min]}}{\pi \cdot D_i \text{ [ft]}^2} \cdot \frac{1}{60 \text{ [s/min]}}$$

A0034301

**Lower range value**

A restriction applies to the lower range value due to the turbulent flow profile, which increases only in the case of Reynolds 5 000 numbers. The Reynolds number is dimensionless and indicates the ratio of the inertia force of a fluid to its viscous force when flowing and is used as a characteristic variable for pipe flows. In the case of pipe flows with Reynolds numbers less than 5 000, periodic vortices are no longer generated and flow rate measurement is no longer possible.

The Reynolds number is calculated as follows:

$$Re = \frac{4 \cdot Q \text{ [m}^3\text{/s]} \cdot \rho \text{ [kg/m}^3\text{]}}{\pi \cdot D_i \text{ [m]} \cdot \mu \text{ [Pa} \cdot \text{s]}}$$

$$Re = \frac{4 \cdot Q \text{ [ft}^3\text{/s]} \cdot \rho \text{ [lbm/ft}^3\text{]}}{\pi \cdot D_i \text{ [ft]} \cdot \mu \text{ [lbf} \cdot \text{s/ft}^2\text{]}}$$

A0034291

- $Re$  Reynolds number
- $Q$  Flow
- $D_i$  Internal diameter of measuring tube (corresponds to dimension  $K \rightarrow$  47)
- $\mu$  Dynamic viscosity
- $\rho$  Density

The Reynolds number, 5 000 together with the density and viscosity of the fluid and the nominal diameter, is used to calculate the corresponding flow rate.

$$Q_{Re=5000} [\text{m}^3/\text{h}] = \frac{5000 \cdot \pi \cdot D_i [\text{m}] \cdot \mu [\text{Pa} \cdot \text{s}]}{4 \cdot \rho [\text{kg}/\text{m}^3]} \cdot 3600 [\text{s}/\text{h}]$$

$$Q_{Re=5000} [\text{ft}^3/\text{h}] = \frac{5000 \cdot \pi \cdot D_i [\text{ft}] \cdot \mu [\text{lbf} \cdot \text{s}/\text{ft}^2]}{4 \cdot \rho [\text{lbm}/\text{ft}^3]} \cdot 60 [\text{s}/\text{min}]$$

A0034302

- $Q_{Re=5000}$  Flow rate is dependent on the Reynolds number
- $D_i$  Internal diameter of measuring tube (corresponds to dimension  $K \rightarrow$  47)
- $\mu$  Dynamic viscosity
- $\rho$  Density

The measuring signal must have a certain minimum signal amplitude so that the signals can be evaluated without any errors. Using the nominal diameter, the corresponding flow can also be derived from this amplitude. The minimum signal amplitude depends on the setting for the sensitivity of the DSC sensor ( $s$ ), the steam quality ( $x$ ) and the force of the vibrations present ( $a$ ). The value  $mf$  corresponds to the lowest measurable flow velocity without vibration (no wet steam) at a density of  $1 \text{ kg}/\text{m}^3$  ( $0.0624 \text{ lbm}/\text{ft}^3$ ). The value  $mf$  can be set in the range from 6 to 20 m/s (1.8 to 6 ft/s) (factory setting 12 m/s (3.7 ft/s)) with the **Sensitivity** parameter (value range 1 to 9, factory setting 5).

$$v_{\text{AmpMin}} [\text{m}/\text{s}] = \max \left\{ \begin{array}{l} \frac{mf [\text{m}/\text{s}]}{x^2} \\ \sqrt{50 [\text{m}] \cdot a [\text{m}/\text{s}^2]} \end{array} \right.$$

$$v_{\text{AmpMin}} [\text{ft}/\text{s}] = \max \left\{ \begin{array}{l} \frac{mf [\text{ft}/\text{s}]}{x^2} \\ \sqrt{164 [\text{ft}] \cdot a [\text{ft}/\text{s}^2]} \end{array} \right.$$

A0034303

- $v_{\text{AmpMin}}$  Minimum measurable flow velocity based on signal amplitude
- $mf$  Sensitivity
- $x$  Steam quality
- $a$  Vibration

$$Q_{\text{AmpMin}} [\text{m}^3/\text{h}] = \frac{v_{\text{AmpMin}} [\text{m}/\text{s}] \cdot \pi \cdot D_i [\text{m}]^2}{4 \cdot \sqrt{\frac{\rho [\text{kg}/\text{m}^3]}{1 [\text{kg}/\text{m}^3]}}} \cdot 3600 [\text{s}/\text{h}]$$

$$Q_{\text{AmpMin}} [\text{ft}^3/\text{min}] = \frac{v_{\text{AmpMin}} [\text{ft}/\text{s}] \cdot \pi \cdot D_i [\text{ft}]^2}{4 \cdot \sqrt{\frac{\rho [\text{lbm}/\text{ft}^3]}{0.0624 [\text{lbm}/\text{ft}^3]}}} \cdot 60 [\text{s}/\text{min}]$$

A0034304

- $Q_{AmpMin}$  Minimum measurable flow rate based on signal amplitude
- $v_{AmpMin}$  Minimum measurable flow velocity based on signal amplitude
- $D_i$  Internal diameter of measuring tube (corresponds to dimension K → 47)
- $\rho$  Density

The effective lower range value  $Q_{Low}$  is determined using the largest of the three values  $Q_{min}$ ,  $Q_{Re = 5000}$  and  $Q_{AmpMin}$ .

$$Q_{Low} [m^3/h] = \max \begin{cases} Q_{min} [m^3/h] \\ Q_{Re = 5000} [m^3/h] \\ Q_{AmpMin} [m^3/h] \end{cases}$$

$$Q_{Low} [ft^3/min] = \max \begin{cases} Q_{min} [ft^3/min] \\ Q_{Re = 5000} [ft^3/min] \\ Q_{AmpMin} [ft^3/min] \end{cases}$$

A0034313

- $Q_{Low}$  Effective lower range value
- $Q_{min}$  Minimum measurable flow rate
- $Q_{Re = 5000}$  Flow rate is dependent on the Reynolds number
- $Q_{AmpMin}$  Minimum measurable flow rate based on signal amplitude



The Applicator is available for calculation purposes.

### Upper range value

The measuring signal amplitude must be below a certain limit value to ensure that the signals can be evaluated without error. This results in a maximum permitted flow rate  $Q_{AmpMax}$ :

$$Q_{AmpMax} [m^3/h] = \frac{350 [m/s] \cdot \pi \cdot D_i [m]^2}{4 \cdot \sqrt{\frac{\rho [kg/m^3]}{1 [kg/m^3]}}} \cdot 3600 [s/h]$$

$$Q_{AmpMax} [ft^3/min] = \frac{1148 [ft/s] \cdot \pi \cdot D_i [ft]^2}{4 \cdot \sqrt{\frac{\rho [lbm/ft^3]}{0.0624 [lbm/ft^3]}}} \cdot 60 [s/min]$$

A0034316

- $Q_{AmpMax}$  Maximum measurable flow rate based on signal amplitude
- $D_i$  Internal diameter of measuring tube (corresponds to dimension K → 47)
- $\rho$  Density

For gas applications, an additional restriction applies to the upper range value with regard to the Mach number in the measuring device, which must be less than 0.3. The Mach number  $Ma$  describes the ratio of the flow velocity  $v$  to the sound velocity  $c$  in the fluid.

$$Ma = \frac{v \text{ [m/s]}}{c \text{ [m/s]}}$$

$$Ma = \frac{v \text{ [ft/s]}}{c \text{ [ft/s]}}$$

A0034337

$Ma$	<i>Mach number</i>
$v$	<i>Flow velocity</i>
$c$	<i>Sound velocity</i>

The corresponding flow rate can be derived using the nominal diameter.

$$Q_{Ma=0.3} \text{ [m}^3\text{/h]} = \frac{0.3 \cdot c \text{ [m/s]} \cdot \pi \cdot D_i \text{ [m]}^2}{4} \cdot 3600 \text{ [s/h]}$$

$$Q_{Ma=0.3} \text{ [ft}^3\text{/min]} = \frac{0.3 \cdot c \text{ [ft/s]} \cdot \pi \cdot D_i \text{ [ft]}^2}{4} \cdot 60 \text{ [s/min]}$$

A0034337

$Q_{Ma=0.3}$	<i>Restricted upper range value is dependent on Mach number</i>
$c$	<i>Sound velocity</i>
$D_i$	<i>Internal diameter of measuring tube (corresponds to dimension K → 47)</i>
$\rho$	<i>Density</i>

The effective upper range value  $Q_{High}$  is determined using the smallest of the three values  $Q_{max}$ ,  $Q_{AmpMax}$  and  $Q_{Ma=0.3}$ .

$$Q_{High} \text{ [m}^3\text{/h]} = \min \begin{cases} Q_{max} \text{ [m}^3\text{/h]} \\ Q_{AmpMax} \text{ [m}^3\text{/h]} \\ Q_{Ma=0.3} \text{ [m}^3\text{/h]} \end{cases}$$

$$Q_{High} \text{ [ft}^3\text{/min]} = \min \begin{cases} Q_{max} \text{ [ft}^3\text{/min]} \\ Q_{AmpMax} \text{ [ft}^3\text{/min]} \\ Q_{Ma=0.3} \text{ [ft}^3\text{/min]} \end{cases}$$

A0034338

$Q_{High}$	<i>Effective upper range value</i>
$Q_{max}$	<i>Maximum measurable flow rate</i>
$Q_{AmpMax}$	<i>Maximum measurable flow rate based on signal amplitude</i>
$Q_{Ma=0.3}$	<i>Restricted upper range value is dependent on Mach number</i>

For liquids, the occurrence of cavitation may also restrict the upper range value.



The Applicator is available for calculation purposes.

### Operable flow range

The value, which is typically up to 49: 1, may vary depending on the operating conditions (ratio between upper range value and lower range value)

**Input signal**

**Current input**

<b>Current input</b>	4-20 mA (passive)
<b>Resolution</b>	1 µA
<b>Voltage drop</b>	Typically: 2.2 to 3 V for 3.6 to 22 mA
<b>Maximum voltage</b>	≤ 35 V
<b>Possible input variables</b>	<ul style="list-style-type: none"> <li>▪ Pressure</li> <li>▪ Temperature</li> <li>▪ Density</li> </ul>

**External measured values**

To increase the accuracy of certain measured variables or to calculate the corrected volume flow, the automation system can continuously write different measured values to the measuring device:

- Operating pressure to increase accuracy (Endress+Hauser recommends the use of a pressure measuring device for absolute pressure, e.g. Cerabar M or Cerabar S)
- Medium temperature to increase accuracy (e.g. iTEMP)
- Reference density for calculating the corrected volume flow



- Various pressure measuring devices can be ordered as accessories from Endress+Hauser.
- If using pressure measuring devices, pay attention to outlet runs when installing external devices → 40.

If the device does not have temperature compensation, it is recommended that external pressure measurement values be read in so that the following measured variables can be calculated:

- Energy flow
- Mass flow
- Corrected volume flow

*Current input*

The measured values are written from the automation system to the measuring device via the current input → 13.

*HART protocol*

The measured values are written from the automation system to the measuring device via the HART protocol. The pressure transmitter must support the following protocol-specific functions:

- HART protocol
- Burst mode

*Digital communication*

The measured values can be written from the automation system to the measuring via:

- FOUNDATION Fieldbus
- PROFIBUS PA

## Output



**Output signal**

**Current output**

<b>Current output 1</b>	4-20 mA HART (passive)
<b>Current output 2</b>	4-20 mA (passive)
<b>Resolution</b>	< 1 µA

<b>Damping</b>	Adjustable: 0.0 to 999.9 s
<b>Assignable measured variables</b>	<ul style="list-style-type: none"> <li>▪ Volume flow</li> <li>▪ Corrected volume flow</li> <li>▪ Mass flow</li> <li>▪ Flow velocity</li> <li>▪ Temperature</li> <li>▪ Pressure</li> <li>▪ Calculated saturated steam pressure</li> <li>▪ Total mass flow</li> <li>▪ Energy flow</li> <li>▪ Heat flow difference</li> </ul>

### Pulse/frequency/switch output

<b>Function</b>	Can be set to pulse, frequency or switch output
<b>Version</b>	Passive, open collector
<b>Maximum input values</b>	<ul style="list-style-type: none"> <li>▪ DC 35 V</li> <li>▪ 50 mA</li> </ul> <p> For information on the Ex connection values →  17</p>
<b>Voltage drop</b>	<ul style="list-style-type: none"> <li>▪ For ≤ 2 mA: 2 V</li> <li>▪ For 10 mA: 8 V</li> </ul>
<b>Residual current</b>	≤ 0.05 mA
<b>Pulse output</b>	
<b>Pulse width</b>	Adjustable: 5 to 2 000 ms
<b>Maximum pulse rate</b>	100 Impulse/s
<b>Pulse value</b>	Adjustable
<b>Assignable measured variables</b>	<ul style="list-style-type: none"> <li>▪ Mass flow</li> <li>▪ Volume flow</li> <li>▪ Corrected volume flow</li> <li>▪ Total mass flow</li> <li>▪ Energy flow</li> <li>▪ Heat flow difference</li> </ul>
<b>Frequency output</b>	
<b>Output frequency</b>	Adjustable: 0 to 1 000 Hz
<b>Damping</b>	Adjustable: 0 to 999 s
<b>Pulse/pause ratio</b>	1:1
<b>Assignable measured variables</b>	<ul style="list-style-type: none"> <li>▪ Volume flow</li> <li>▪ Corrected volume flow</li> <li>▪ Mass flow</li> <li>▪ Flow velocity</li> <li>▪ Temperature</li> <li>▪ Calculated saturated steam pressure</li> <li>▪ Total mass flow</li> <li>▪ Energy flow</li> <li>▪ Heat flow difference</li> <li>▪ Pressure</li> </ul>
<b>Switch output</b>	
<b>Switching behavior</b>	Binary, conductive or non-conductive
<b>Switching delay</b>	Adjustable: 0 to 100 s

<b>Number of switching cycles</b>	Unlimited
<b>Assignable functions</b>	<ul style="list-style-type: none"> <li>▪ Off</li> <li>▪ On</li> <li>▪ Diagnostic behavior</li> <li>▪ Limit value             <ul style="list-style-type: none"> <li>- Volume flow</li> <li>- Corrected volume flow</li> <li>- Mass flow</li> <li>- Flow velocity</li> <li>- Temperature</li> <li>- Calculated saturated steam pressure</li> <li>- Total mass flow</li> <li>- Energy flow</li> <li>- Heat flow difference</li> <li>- Pressure</li> <li>- Reynolds number</li> <li>- Totalizer 1-3</li> </ul> </li> <li>▪ Status</li> <li>▪ Status of low flow cut off</li> </ul>

**FOUNDATION Fieldbus**

<b>FOUNDATION Fieldbus</b>	H1, IEC 61158-2, galvanically isolated
<b>Data transfer</b>	31.25 kbit/s
<b>Current consumption</b>	15 mA
<b>Permitted supply voltage</b>	9 to 32 V
<b>Bus connection</b>	With integrated reverse polarity protection

**PROFIBUS PA**

<b>PROFIBUS PA</b>	In accordance with EN 50170 Volume 2, IEC 61158-2 (MBP), galvanically isolated
<b>Data transfer</b>	31.25 kbit/s
<b>Current consumption</b>	10 mA
<b>Permitted supply voltage</b>	9 to 32 V
<b>Bus connection</b>	With integrated reverse polarity protection

**Signal on alarm**

Depending on the interface, failure information is displayed as follows:

**Current output 4 to 20 mA**

*4 to 20 mA*

<b>Failure mode</b>	Choose from: <ul style="list-style-type: none"> <li>▪ 4 to 20 mA in accordance with NAMUR recommendation NE 43</li> <li>▪ 4 to 20 mA in accordance with US</li> <li>▪ Min. value: 3.59 mA</li> <li>▪ Max. value: 22.5 mA</li> <li>▪ Freely definable value between: 3.59 to 22.5 mA</li> <li>▪ Actual value</li> <li>▪ Last valid value</li> </ul>
---------------------	--

**Pulse/frequency/switch output**

<b>Pulse output</b>	
<b>Failure mode</b>	No pulses

Frequency output	
Failure mode	Choose from: <ul style="list-style-type: none"> <li>▪ Actual value</li> <li>▪ 0 Hz</li> <li>▪ Defined value: 0 to 1250 Hz</li> </ul>
Switch output	
Failure mode	Choose from: <ul style="list-style-type: none"> <li>▪ Current status</li> <li>▪ Open</li> <li>▪ Closed</li> </ul>

#### FOUNDATION Fieldbus

Status and alarm messages	Diagnostics in accordance with FF-891
Error current FDE (Fault Disconnection Electronic)	0 mA

#### PROFIBUS PA

Status and alarm messages	Diagnostics in accordance with PROFIBUS PA Profile 3.02
Error current FDE (Fault Disconnection Electronic)	0 mA

#### Local display

Plain text display	With information on cause and remedial measures
Backlight	Additionally for device version with SD03 local display: red lighting indicates a device error.

 Status signal as per NAMUR recommendation NE 107

#### Interface/protocol

- Via digital communication:
  - HART protocol
  - FOUNDATION Fieldbus
  - PROFIBUS PA
- Via service interface
  - CDI service interface

Plain text display	With information on cause and remedial measures
--------------------	---

 Additional information on remote operation →  64

#### Load

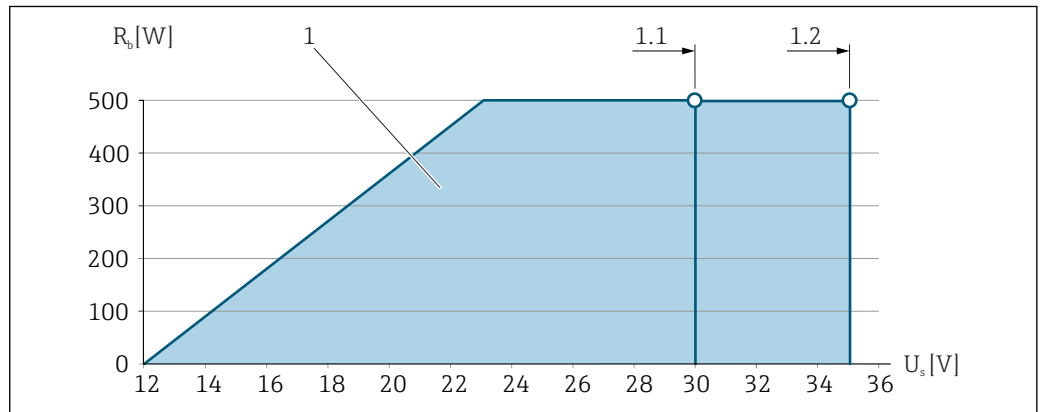
Load for current output: 0 to 500  $\Omega$ , depending on the external supply voltage of the power supply unit

#### Calculation of the maximum load

Depending on the supply voltage of the power supply unit ( $U_S$ ), the maximum load ( $R_B$ ) including line resistance must be observed to ensure adequate terminal voltage at the device. In doing so, observe the minimum terminal voltage



- $R_B \leq (U_S - U_{\text{term. min}}): 0.022 \text{ A}$
- $R_B \leq 500 \Omega$



2 Load for a compact version without local operation

1 Operating range

- 1.1 For order code for "Output", option A "4-20 mA HART"/option B "4-20 mA HART, pulse/frequency/switch output" with Ex i and option C "4-20 mA HART + 4-20 mA analog"
- 1.2 For order code for "Output", option A "4-20 mA HART"/option B "4-20 mA HART, pulse/frequency/switch output" for non-hazardous area and Ex d

**Sample calculation**

Supply voltage of power supply unit:

–  $U_S = 19 \text{ V}$

–  $U_{\text{term. min}} = 12 \text{ V (measuring device)} + 1 \text{ V (local operation without lighting)} = 13 \text{ V}$

Maximum load:  $R_B \leq (19 \text{ V} - 13 \text{ V}): 0.022 \text{ A} = 273 \Omega$

 The minimum terminal voltage ( $U_{\text{Kl min}}$ ) increases if local operation is used..

**Ex connection data**

**Safety-related values**

Type of protection Ex d

Order code for "Output"	Output type	Safety-related values
Option A	4-20mA HART	$U_{\text{nom}} = \text{DC } 35 \text{ V}$ $U_{\text{max}} = 250 \text{ V}$
Option B	4-20mA HART	$U_{\text{nom}} = \text{DC } 35 \text{ V}$ $U_{\text{max}} = 250 \text{ V}$
	Pulse/frequency/switch output	$U_{\text{nom}} = \text{DC } 35 \text{ V}$ $U_{\text{max}} = 250 \text{ V}$ $P_{\text{max}} = 1 \text{ W}^1)$
Option C	4-20mA HART	$U_{\text{nom}} = \text{DC } 30 \text{ V}$ $U_{\text{max}} = 250 \text{ V}$
	4-20mA analog	
Option D	4-20mA HART	$U_{\text{nom}} = \text{DC } 35 \text{ V}$ $U_{\text{max}} = 250 \text{ V}$
	Pulse/frequency/switch output	$U_{\text{nom}} = \text{DC } 35 \text{ V}$ $U_{\text{max}} = 250 \text{ V}$ $P_{\text{max}} = 1 \text{ W}^1)$
	4 to 20 mA current input	$U_{\text{nom}} = \text{DC } 35 \text{ V}$ $U_{\text{max}} = 250 \text{ V}$
Option E	FOUNDATION Fieldbus	$U_{\text{nom}} = \text{DC } 32 \text{ V}$ $U_{\text{max}} = 250 \text{ V}$ $P_{\text{max}} = 0.88 \text{ W}$

Order code for "Output"	Output type	Safety-related values
	Pulse/frequency/switch output	$U_{nom} = DC 35 V$ $U_{max} = 250 V$ $P_{max} = 1 W^{1)}$
Option G	PROFIBUS PA	$U_{nom} = DC 32 V$ $U_{max} = 250 V$ $P_{max} = 0.88 W$
	Pulse/frequency/switch output	$U_{nom} = DC 35 V$ $U_{max} = 250 V$ $P_{max} = 1 W^{1)}$

1) Internal circuit limited by  $R_i = 760.5 \Omega$

#### Type of protection Ex ec

Order code for "Output"	Output type	Safety-related values
Option A	4-20mA HART	$U_{nom} = DC 35 V$ $U_{max} = 250 V$
Option B	4-20mA HART	$U_{nom} = DC 35 V$ $U_{max} = 250 V$
	Pulse/frequency/switch output	$U_{nom} = DC 35 V$ $U_{max} = 250 V$ $P_{max} = 1 W^{1)}$
Option C	4-20mA HART	$U_{nom} = DC 30 V$ $U_{max} = 250 V$
	4-20mA analog	
Option D	4-20mA HART	$U_{nom} = DC 35 V$ $U_{max} = 250 V$
	Pulse/frequency/switch output	$U_{nom} = DC 35 V$ $U_{max} = 250 V$ $P_{max} = 1 W^{1)}$
	4 to 20 mA current input	$U_{nom} = DC 35 V$ $U_{max} = 250 V$
Option E	FOUNDATION Fieldbus	$U_{nom} = DC 32 V$ $U_{max} = 250 V$ $P_{max} = 0.88 W$
	Pulse/frequency/switch output	$U_{nom} = DC 35 V$ $U_{max} = 250 V$ $P_{max} = 1 W^{1)}$
Option G	PROFIBUS PA	$U_{nom} = DC 32 V$ $U_{max} = 250 V$ $P_{max} = 0.88 W$
	Pulse/frequency/switch output	$U_{nom} = DC 35 V$ $U_{max} = 250 V$ $P_{max} = 1 W^{1)}$

1) Internal circuit limited by  $R_i = 760.5 \Omega$

#### Type of protection XP

Order code for "Output"	Output type	Safety-related values
Option A	4-20mA HART	$U_{nom} = DC 35 V$ $U_{max} = 250 V$
Option B	4-20mA HART	$U_{nom} = DC 35 V$ $U_{max} = 250 V$

Order code for "Output"	Output type	Safety-related values
	Pulse/frequency/switch output	$U_{nom} = DC 35 V$ $U_{max} = 250 V$ $P_{max} = 1 W^{1)}$
Option C	4-20mA HART	$U_{nom} = DC 30 V$ $U_{max} = 250 V$
	4-20mA analog	
Option D	4-20mA HART	$U_{nom} = DC 35 V$ $U_{max} = 250 V$
	Pulse/frequency/switch output	$U_{nom} = DC 35 V$ $U_{max} = 250 V$ $P_{max} = 1 W^{1)}$
	4 to 20 mA current input	$U_{nom} = DC 35 V$ $U_{max} = 250 V$
Option E	FOUNDATION Fieldbus	$U_{nom} = DC 32 V$ $U_{max} = 250 V$ $P_{max} = 0.88 W$
	Pulse/frequency/switch output	$U_{nom} = DC 35 V$ $U_{max} = 250 V$ $P_{max} = 1 W^{1)}$
Option G	PROFIBUS PA	$U_{nom} = DC 32 V$ $U_{max} = 250 V$ $P_{max} = 0.88 W$
	Pulse/frequency/switch output	$U_{nom} = DC 35 V$ $U_{max} = 250 V$ $P_{max} = 1 W^{1)}$

1) Internal circuit limited by  $R_i = 760.5 \Omega$

### Intrinsically safe values

Type of protection *Ex ia*

Order code for "Output"	Output type	Intrinsically safe values
Option A	4-20mA HART	$U_i = DC 30 V$ $I_i = 300 mA$ $P_i = 1 W$ $L_i = 0 \mu H$ $C_i = 5 nF$
Option B	4-20mA HART	$U_i = DC 30 V$ $I_i = 300 mA$ $P_i = 1 W$ $L_i = 0 \mu H$ $C_i = 5 nF$
	Pulse/frequency/switch output	$U_i = DC 30 V$ $I_i = 300 mA$ $P_i = 1 W$ $L_i = 0 \mu H$ $C_i = 6 nF$
Option C	4-20mA HART	$U_i = DC 30 V$ $I_i = 300 mA$ $P_i = 1 W$ $L_i = 0 \mu H$ $C_i = 30 nF$
	4-20mA analog	
Option D	4-20mA HART	$U_i = DC 30 V$ $I_i = 300 mA$ $P_i = 1 W$ $L_i = 0 \mu H$ $C_i = 5 nF$

Order code for "Output"	Output type	Intrinsically safe values	
	Pulse/frequency/switch output	$U_i = \text{DC } 30 \text{ V}$ $I_i = 300 \text{ mA}$ $P_i = 1 \text{ W}$ $L_i = 0 \text{ } \mu\text{H}$ $C_i = 6 \text{ nF}$	
	4 to 20 mA current input	$U_i = \text{DC } 30 \text{ V}$ $I_i = 300 \text{ mA}$ $P_i = 1 \text{ W}$ $L_i = 0 \text{ } \mu\text{H}$ $C_i = 5 \text{ nF}$	
Option E	FOUNDATION Fieldbus	STANDARD $U_i = 30 \text{ V}$ $I_i = 300 \text{ mA}$ $P_i = 1.2 \text{ W}$ $L_i = 10 \text{ } \mu\text{H}$ $C_i = 5 \text{ nF}$	FISCO $U_i = 17.5 \text{ V}$ $I_i = 550 \text{ mA}$ $P_i = 5.5 \text{ W}$ $L_i = 10 \text{ } \mu\text{H}$ $C_i = 5 \text{ nF}$
	Pulse/frequency/switch output	$U_i = 30 \text{ V}$ $I_i = 300 \text{ mA}$ $P_i = 1 \text{ W}$ $L_i = 0 \text{ } \mu\text{H}$ $C_i = 6 \text{ nF}$	
Option G	PROFIBUS PA	STANDARD $U_i = 30 \text{ V}$ $I_i = 300 \text{ mA}$ $P_i = 1.2 \text{ W}$ $L_i = 10 \text{ } \mu\text{H}$ $C_i = 5 \text{ nF}$	FISCO $U_i = 17.5 \text{ V}$ $I_i = 550 \text{ mA}$ $P_i = 5.5 \text{ W}$ $L_i = 10 \text{ } \mu\text{H}$ $C_i = 5 \text{ nF}$
	Pulse/frequency/switch output	$U_i = 30 \text{ V}$ $I_i = 300 \text{ mA}$ $P_i = 1 \text{ W}$ $L_i = 0 \text{ } \mu\text{H}$ $C_i = 6 \text{ nF}$	

## Type of protection Ex ic

Order code for "Output"	Output type	Intrinsically safe values	
Option A	4-20mA HART	$U_i = \text{DC } 35 \text{ V}$ $I_i = \text{n.a.}$ $P_i = 1 \text{ W}$ $L_i = 0 \text{ } \mu\text{H}$ $C_i = 5 \text{ nF}$	
Option B	4-20mA HART	$U_i = \text{DC } 35 \text{ V}$ $I_i = \text{n.a.}$ $P_i = 1 \text{ W}$ $L_i = 0 \text{ } \mu\text{H}$ $C_i = 5 \text{ nF}$	
	Pulse/frequency/switch output	$U_i = \text{DC } 35 \text{ V}$ $I_i = \text{n.a.}$ $P_i = 1 \text{ W}$ $L_i = 0 \text{ } \mu\text{H}$ $C_i = 6 \text{ nF}$	
Option C	4-20mA HART	$U_i = \text{DC } 30 \text{ V}$ $I_i = \text{n.a.}$ $P_i = 1 \text{ W}$ $L_i = 0 \text{ } \mu\text{H}$ $C_i = 30 \text{ nF}$	
	4-20mA analog		
Option D	4-20mA HART	$U_i = \text{DC } 35 \text{ V}$ $I_i = \text{n.a.}$ $P_i = 1 \text{ W}$ $L_i = 0 \text{ } \mu\text{H}$ $C_i = 5 \text{ nF}$	

Order code for "Output"	Output type	Intrinsically safe values	
	Pulse/frequency/switch output	$U_i = DC\ 35\ V$ $I_i = n.a.$ $P_i = 1\ W$ $L_i = 0\ \mu H$ $C_i = 6\ nF$	
	4 to 20 mA current input	$U_i = DC\ 35\ V$ $I_i = n.a.$ $P_i = 1\ W$ $L_i = 0\ \mu H$ $C_i = 5\ nF$	
Option E	FOUNDATION Fieldbus	STANDARD $U_i = 32\ V$ $I_i = 300\ mA$ $P_i = n.a.$ $L_i = 10\ \mu H$ $C_i = 5\ nF$	FISCO $U_i = 17.5\ V$ $I_i = n.a.$ $P_i = n.a.$ $L_i = 10\ \mu H$ $C_i = 5\ nF$
	Pulse/frequency/switch output	$U_i = 35\ V$ $I_i = 300\ mA$ $P_i = 1\ W$ $L_i = 0\ \mu H$ $C_i = 6\ nF$	
Option G	PROFIBUS PA	STANDARD $U_i = 32\ V$ $I_i = 300\ mA$ $P_i = n.a.$ $L_i = 10\ \mu H$ $C_i = 5\ nF$	FISCO $U_i = 17.5\ V$ $I_i = n.a.$ $P_i = n.a.$ $L_i = 10\ \mu H$ $C_i = 5\ nF$
	Pulse/frequency/switch output	$U_i = 35\ V$ $I_i = 300\ mA$ $P_i = 1\ W$ $L_i = 0\ \mu H$ $C_i = 6\ nF$	

Type of protection IS

Order code for "Output"	Output type	Intrinsically safe values	
Option A	4-20mA HART	$U_i = DC\ 30\ V$ $I_i = 300\ mA$ $P_i = 1\ W$ $L_i = 0\ \mu H$ $C_i = 5\ nF$	
Option B	4-20mA HART	$U_i = DC\ 30\ V$ $I_i = 300\ mA$ $P_i = 1\ W$ $L_i = 0\ \mu H$ $C_i = 5\ nF$	
	Pulse/frequency/switch output	$U_i = DC\ 30\ V$ $I_i = 300\ mA$ $P_i = 1\ W$ $L_i = 0\ \mu H$ $C_i = 6\ nF$	
Option C	4-20mA HART	$U_i = DC\ 30\ V$ $I_i = 300\ mA$ $P_i = 1\ W$ $L_i = 0\ \mu H$ $C_i = 30\ nF$	
	4-20mA analog		
Option D	4-20mA HART	$U_i = DC\ 30\ V$ $I_i = 300\ mA$ $P_i = 1\ W$ $L_i = 0\ \mu H$ $C_i = 5\ nF$	

Order code for "Output"	Output type	Intrinsically safe values	
	Pulse/frequency/switch output	$U_i = DC\ 30\ V$ $I_i = 300\ mA$ $P_i = 1\ W$ $L_i = 0\ \mu H$ $C_i = 6\ nF$	
	4 to 20 mA current input	$U_i = DC\ 30\ V$ $I_i = 300\ mA$ $P_i = 1\ W$ $L_i = 0\ \mu H$ $C_i = 5\ nF$	
Option E	FOUNDATION Fieldbus	<b>STANDARD</b> $U_i = 30\ V$ $I_i = 300\ mA$ $P_i = 1.2\ W$ $L_i = 10\ \mu H$ $C_i = 5\ nF$	<b>FISCO</b> $U_i = 17.5\ V$ $I_i = 550\ mA$ $P_i = 5.5\ W$ $L_i = 10\ \mu H$ $C_i = 5\ nF$
	Pulse/frequency/switch output	$U_i = 30\ V$ $I_i = 300\ mA$ $P_i = 1\ W$ $L_i = 0\ \mu H$ $C_i = 6\ nF$	
Option G	PROFIBUS PA	<b>STANDARD</b> $U_i = 30\ V$ $I_i = 300\ mA$ $P_i = 1.2\ W$ $L_i = 10\ \mu H$ $C_i = 5\ nF$	<b>FISCO</b> $U_i = 17.5\ V$ $I_i = 550\ mA$ $P_i = 5.5\ W$ $L_i = 10\ \mu H$ $C_i = 5\ nF$
	Pulse/frequency/switch output	$U_i = 30\ V$ $I_i = 300\ mA$ $P_i = 1\ W$ $L_i = 0\ \mu H$ $C_i = 6\ nF$	


**Low flow cut off**

The switch points for low flow cut off are preset and can be configured.

**Galvanic isolation**


All inputs and outputs are galvanically isolated from one another.

**Protocol-specific data****HART**

<b>Manufacturer ID</b>	0x11
<b>Device type ID</b>	0x0038
<b>HART protocol revision</b>	7
<b>Device description files (DTM, DD)</b>	Information and files under: <a href="http://www.endress.com">www.endress.com</a>
<b>HART load</b>	<ul style="list-style-type: none"> <li>▪ Min. 250 <math>\Omega</math></li> <li>▪ Max. 500 <math>\Omega</math></li> </ul>
<b>System integration</b>	For information on system integration, see Operating Instructions. →  75 <ul style="list-style-type: none"> <li>▪ Measured variables via HART protocol</li> <li>▪ Burst Mode functionality</li> </ul>

**FOUNDATION Fieldbus**

<b>Manufacturer ID</b>	0x452B48
<b>Ident number</b>	0x1038
<b>Device revision</b>	2

<b>DD revision</b>	Information and files under: <ul style="list-style-type: none"> <li>▪ <a href="http://www.endress.com">www.endress.com</a></li> <li>▪ <a href="http://www.fieldbus.org">www.fieldbus.org</a></li> </ul>
<b>CFR revision</b>	
<b>Device Tester Version (ITK version)</b>	6.2.0
<b>ITK Test Campaign Number</b>	Information: <ul style="list-style-type: none"> <li>▪ <a href="http://www.endress.com">www.endress.com</a></li> <li>▪ <a href="http://www.fieldbus.org">www.fieldbus.org</a></li> </ul>
<b>Link Master capability (LAS)</b>	Yes
<b>Choice of "Link Master" and "Basic Device"</b>	Yes Factory setting: Basic Device
<b>Node address</b>	Factory setting: 247 (0xF7)
<b>Supported functions</b>	The following methods are supported: <ul style="list-style-type: none"> <li>▪ Restart</li> <li>▪ ENP Restart</li> <li>▪ Diagnostic</li> <li>▪ Read events</li> <li>▪ Read trend data</li> </ul>
<b>Virtual Communication Relationships (VCRs)</b>	
<b>Number of VCRs</b>	44
<b>Number of link objects in VFD</b>	50
<b>Permanent entries</b>	1
<b>Client VCRs</b>	0
<b>Server VCRs</b>	10
<b>Source VCRs</b>	43
<b>Sink VCRs</b>	0
<b>Subscriber VCRs</b>	43
<b>Publisher VCRs</b>	43
<b>Device Link Capabilities</b>	
<b>Slot time</b>	4
<b>Min. delay between PDU</b>	8
<b>Max. response delay</b>	Min. 5
<b>System integration</b>	For information on system integration, see Operating Instructions. →  75 <ul style="list-style-type: none"> <li>▪ Cyclic data transmission</li> <li>▪ Description of the modules</li> <li>▪ Execution times</li> <li>▪ Methods</li> </ul>

**PROFIBUS PA**

<b>Manufacturer ID</b>	0x11
<b>Ident number</b>	0x1564
<b>Profile version</b>	3.02
<b>Device description files (GSD, DTM, DD)</b>	Information and files under: <ul style="list-style-type: none"> <li>▪ <a href="http://www.endress.com">www.endress.com</a></li> <li>▪ <a href="http://www.profibus.org">www.profibus.org</a></li> </ul>

<b>Supported functions</b>	<ul style="list-style-type: none"> <li>▪ Identification &amp; Maintenance Simple device identification via control system and nameplate</li> <li>▪ PROFIBUS upload/download Reading and writing parameters is up to ten times faster with PROFIBUS upload/download</li> <li>▪ Condensed status Simplest and self-explanatory diagnostic information by categorizing diagnostic messages that occur</li> </ul>
<b>Configuration of the device address</b>	<ul style="list-style-type: none"> <li>▪ DIP switches on the I/O electronics module</li> <li>▪ Local display</li> <li>▪ Via operating tools (e. g. FieldCare)</li> </ul>
<b>System integration</b>	<p>For information on system integration, see Operating Instructions. →  75</p> <ul style="list-style-type: none"> <li>▪ Cyclic data transmission</li> <li>▪ Block model</li> <li>▪ Description of the modules</li> </ul>

## Power supply

### Terminal assignment

### Transmitter

#### Connection versions

<p><i>Maximum number of terminals</i> Terminals 1 to 6: Without integrated overvoltage protection</p>	<p><i>Maximum number of terminals for order code for "Accessory mounted", option NA "Overvoltage protection"</i></p> <ul style="list-style-type: none"> <li>▪ Terminals 1 to 4: With integrated overvoltage protection</li> <li>▪ Terminals 5 to 6: Without integrated overvoltage protection</li> </ul>
<p>1 Output 1 (passive): supply voltage and signal transmission                  2 Output 2 (passive): supply voltage and signal transmission                  3 Input (passive): supply voltage and signal transmission                  4 Ground terminal for cable shield</p>	

Order code for "Output"	Terminal numbers					
	Output 1		Output 2		Input	
	1 (+)	2 (-)	3 (+)	4 (-)	5 (+)	6 (-)
Option A	4-20 mA HART (passive)		-		-	
Option B <sup>1)</sup>	4-20 mA HART (passive)		Pulse/frequency/switch output (passive)		-	
Option C <sup>1)</sup>	4-20 mA HART (passive)		4-20 mA analog (passive)		-	
Option D <sup>1) 2)</sup>	4-20 mA HART (passive)		Pulse/frequency/switch output (passive)		4-20 mA current input (passive)	




Order code for "Output"	Terminal numbers					
	Output 1		Output 2		Input	
	1 (+)	2 (-)	3 (+)	4 (-)	5 (+)	6 (-)
Option <b>E</b> <sup>1) 3)</sup>	FOUNDATION Fieldbus		Pulse/frequency/switch output (passive)		-	
Option <b>G</b> <sup>1) 4)</sup>	PROFIBUS PA		Pulse/frequency/switch output (passive)		-	

- 1) Output 1 must always be used; output 2 is optional.
- 2) The integrated overvoltage protection is not used with option D: Terminals 5 and 6 (current input) are not protected against overvoltage.
- 3) FOUNDATION Fieldbus with integrated reverse polarity protection.
- 4) PROFIBUS PA with integrated reverse polarity protection.

### Connecting cable for remote version

#### Transmitter and sensor connection housing

In the case of the remote version, the sensor and transmitter are mounted separately from on another and connected by a connecting cable. Connection is performed via the sensor connection housing and the transmitter housing.

 How the connecting cable is connected in the transmitter housing depends on the measuring device approval and the version of the connecting cable used.

In the following versions, only terminals can be used for connection in the transmitter housing:

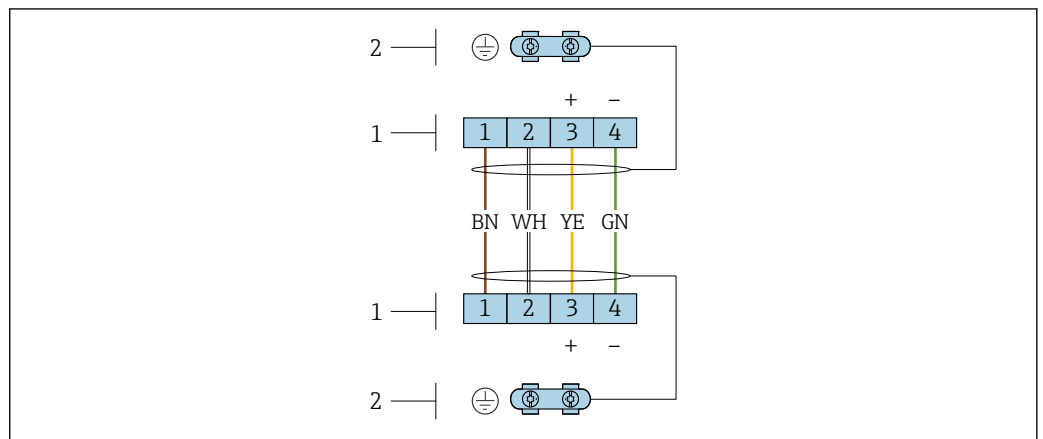
- Certain approvals: Ex nA, Ex ec, Ex tb and Division 1
- Use of reinforced connecting cable

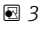
In the following versions, an M12 device connector is used for connection in the transmitter housing:

- All other approvals
- Use of connecting cable (standard)

Terminals are always used to connect the connecting cable in the sensor connection housing (tightening torques for screws for cable strain relief: 1.2 to 1.7 Nm).

#### Connecting cable (standard, reinforced)



 3 Terminals for connection compartment in the transmitter wall holder and the sensor connection housing

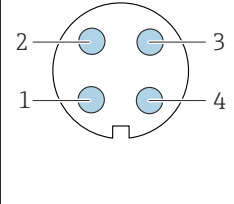
- 1 Terminals for connecting cable
- 2 Grounding via the cable strain relief

Terminal number	Assignment	Cable color Connecting cable
1	Supply voltage	Brown
2	Grounding	White

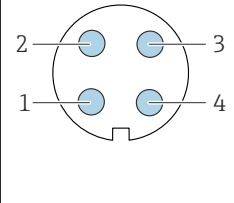
Terminal number	Assignment	Cable color Connecting cable
3	RS485 (+)	Yellow
4	RS485 (-)	Green

**Pin assignment, device plug PROFIBUS PA**

Pin	Assignment		Coding	Plug/socket
1	+	PROFIBUS PA +	A	Plug
2		Grounding		
3	-	PROFIBUS PA -		
4		Not assigned		


**FOUNDATION Fieldbus**

Pin	Assignment		Coding	Plug/socket
1	+	Signal +	A	Plug
2	-	Signal -		
3		Grounding		
4		Not assigned		


**Supply voltage****Transmitter**

An external power supply is required for each output.



Supply voltage for a compact version without a local display <sup>1)</sup>



Order code for "Output; input"	Minimum terminal voltage <sup>2)</sup>	Maximum terminal voltage
Option A: 4-20 mA HART	≥ DC 12 V	DC 35 V
Option B: 4-20 mA HART, pulse/frequency/switch output	≥ DC 12 V	DC 35 V
Option C: 4-20 mA HART + 4-20 mA analog	≥ DC 12 V	DC 30 V
Option D: 4-20 mA HART, pulse/frequency/switch output, 4-20 mA current input <sup>3)</sup>	≥ DC 12 V	DC 35 V
Option E: FOUNDATION Fieldbus, pulse/frequency/switch output	≥ DC 9 V	DC 32 V
Option G: PROFIBUS PA, pulse/frequency/switch output	≥ DC 9 V	DC 32 V


- 1) In event of external supply voltage of the power supply unit with load, the PROFIBUS DP/PA coupler or FOUNDATION Fieldbus power conditioners
- 2) The minimum terminal voltage increases if local operation is used: see the following table
- 3) Voltage drop 2.2 to 3 V for 3.59 to 22 mA

*Increase in minimum terminal voltage*

Order code for "Display; operation"	Increase in minimum terminal voltage
Option C: Local operation SD02	+ DC 1 V
Option E: Local operation SD03 with lighting (backlighting not used)	+ DC 1 V
Option E: Local operation SD03 with lighting (backlighting used)	+ DC 3 V

 For information about the load see →  16



 Various power supply units can be ordered from Endress+Hauser: →  74

 For information on the Ex connection values →  17

**Power consumption**

**Transmitter**


Order code for "Output; input"	Maximum power consumption
Option A: 4-20 mA HART	770 mW
Option B: 4-20 mA HART, pulse/ frequency/switch output	<ul style="list-style-type: none"> <li>▪ Operation with output 1: 770 mW</li> <li>▪ Operation with output 1 and 2: 2 770 mW</li> </ul>
Option C: 4-20 mA HART + 4-20 mA analog	<ul style="list-style-type: none"> <li>▪ Operation with output 1: 660 mW</li> <li>▪ Operation with output 1 and 2: 1 320 mW</li> </ul>
Option D: 4-20 mA HART, pulse/ frequency/switch output, 4-20 mA current input	<ul style="list-style-type: none"> <li>▪ Operation with output 1: 770 mW</li> <li>▪ Operation with output 1 and 2: 2 770 mW</li> <li>▪ Operation with output 1 and input: 840 mW</li> <li>▪ Operation with output 1, 2 and input: 2 840 mW</li> </ul>
Option E: FOUNDATION Fieldbus, pulse/ frequency/switch output	<ul style="list-style-type: none"> <li>▪ Operation with output 1: 512 mW</li> <li>▪ Operation with output 1 and 2: 2 512 mW</li> </ul>
Option G: PROFIBUS PA, pulse/frequency/ switch output	<ul style="list-style-type: none"> <li>▪ Operation with output 1: 512 mW</li> <li>▪ Operation with output 1 and 2: 2 512 mW</li> </ul>

 For information on the Ex connection values →  17

**Current consumption**

**Current output**

For every 4-20 mA or 4-20 mA HART current output: 3.6 to 22.5 mA

 If the option **Defined value** is selected in the **Failure mode** parameter : 3.59 to 22.5 mA

**Current input**

3.59 to 22.5 mA

 Internal current limiting: max. 26 mA

**FOUNDATION Fieldbus**

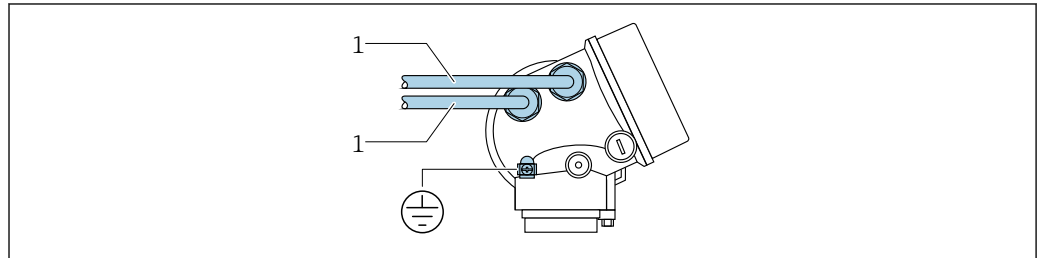
15 mA

**PROFIBUS PA**

15 mA

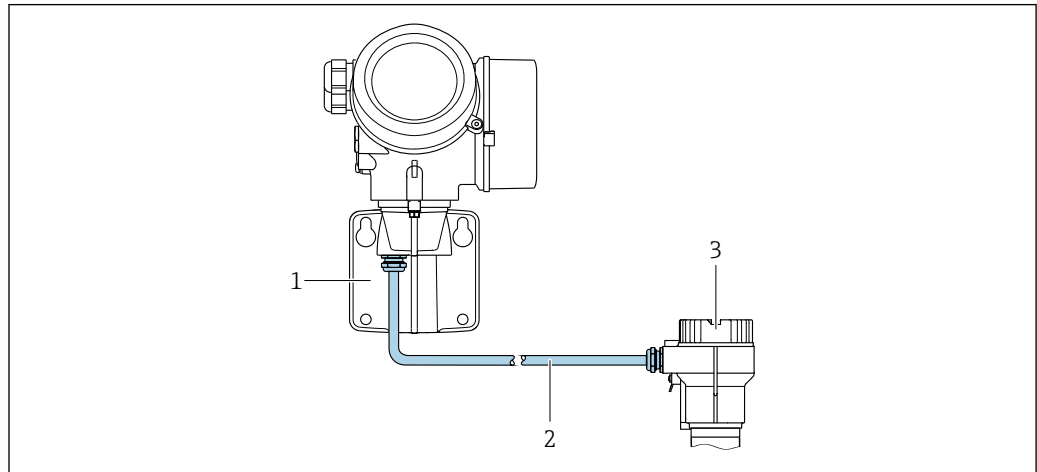
**Power supply failure**

Depending on the device version, the configuration is retained in the device memory or in the pluggable data memory (HistoROM DAT).

**Electrical connection****Connecting the transmitter**

A0033480

1 Cable entries for inputs/outputs

**Remote version connection***Connecting cable*

A0033461

4 Connecting cable connection

1 Wall holder with connection compartment (transmitter)

2 Connecting cable

3 Sensor connection housing

**i** How the connecting cable is connected in the transmitter housing depends on the measuring device approval and the version of the connecting cable used.

In the following versions, only terminals can be used for connection in the transmitter housing:

- Certain approvals: Ex nA, Ex ec, Ex tb and Division 1
- Use of reinforced connecting cable

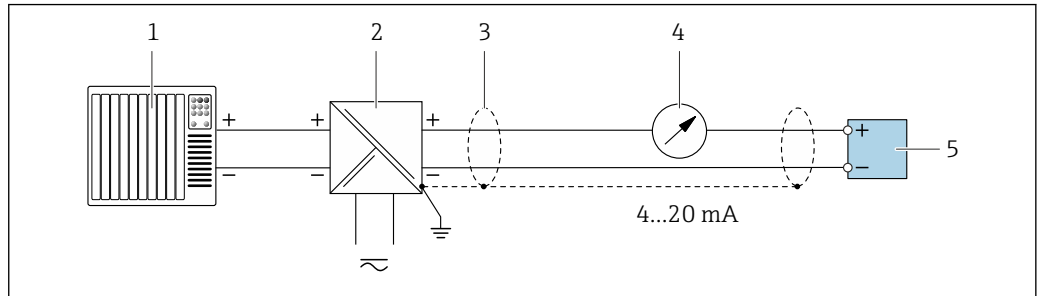
In the following versions, an M12 device connector is used for connection in the transmitter housing:

- All other approvals
- Use of connecting cable (standard)

Terminals are always used to connect the connecting cable in the sensor connection housing (tightening torques for screws for cable strain relief: 1.2 to 1.7 Nm).

**Connection examples**

*Current output 4-20 mA HART*

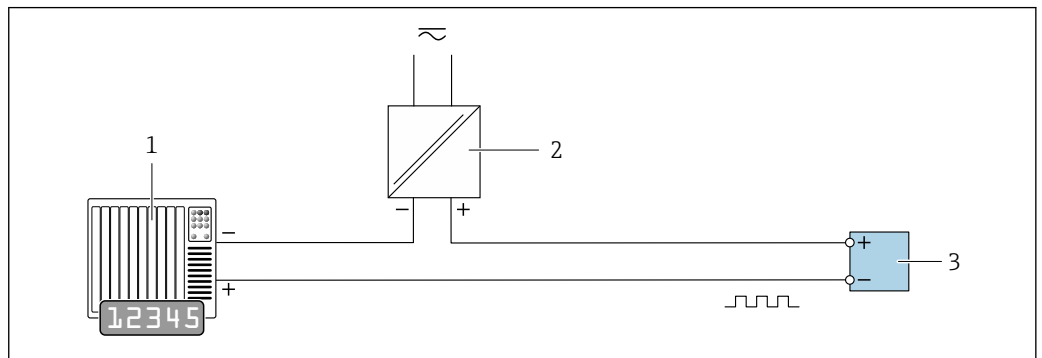


A0028762

5 Connection example for 4 to 20 mA HART current output (passive)

- 1 Automation system with current input (e.g. PLC)
- 2 Power supply
- 3 Cable shield: the cable shield must be grounded at both ends to comply with EMC requirements; observe cable specifications
- 4 Analog display unit: observe maximum load
- 5 Transmitter

*Pulse/frequency output*

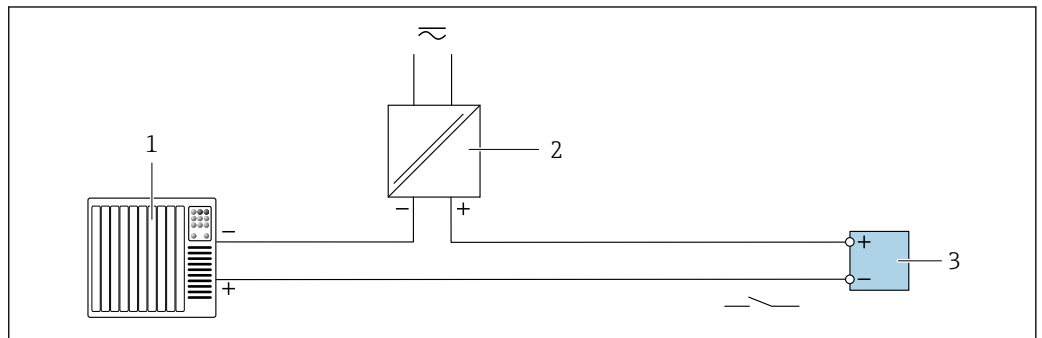


A0028761

6 Connection example for pulse/frequency output (passive)

- 1 Automation system with pulse/frequency input (e.g. PLC)
- 2 Power supply
- 3 Transmitter: Observe input values

*Switch output*

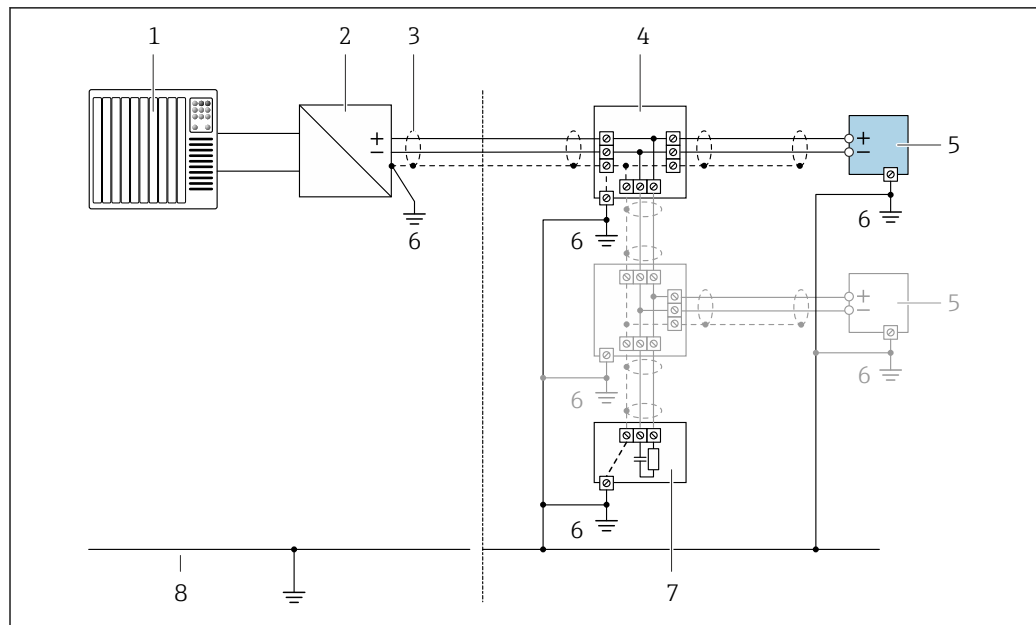


A0028760

7 Connection example for switch output (passive)

- 1 Automation system with switch input (e.g. PLC)
- 2 Power supply
- 3 Transmitter: Observe input values

## FOUNDATION Fieldbus

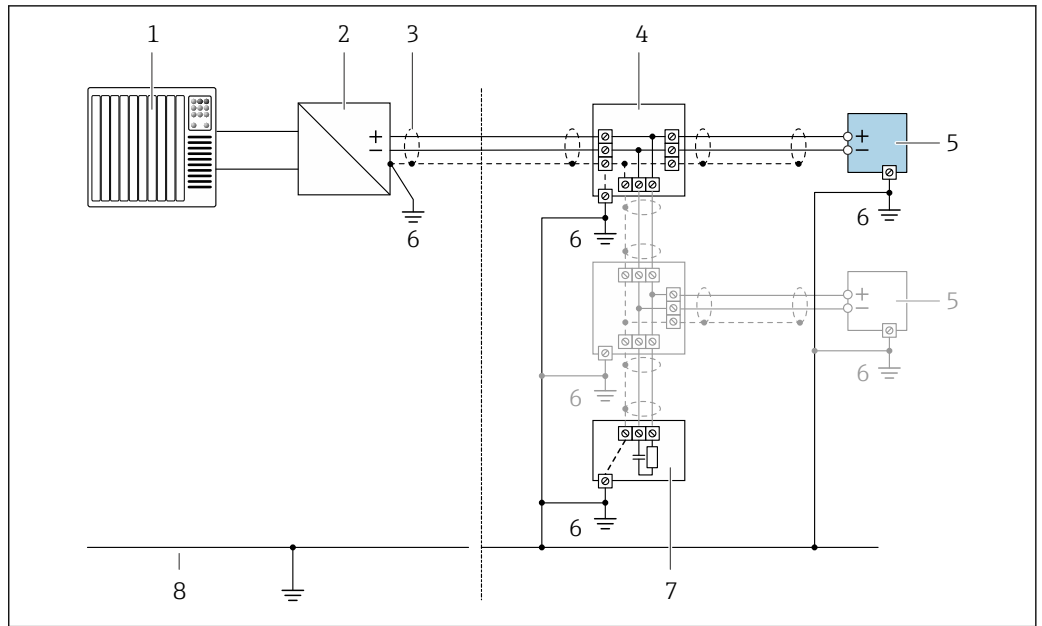


A0028768

8 Connection example for FOUNDATION Fieldbus

- 1 Control system (e.g. PLC)
- 2 Power Conditioner (FOUNDATION Fieldbus)
- 3 Cable shield: the cable shield must be grounded at both ends to comply with EMC requirements; observe cable specifications
- 4 T-box
- 5 Measuring device
- 6 Local grounding
- 7 Bus terminator
- 8 Potential matching line

PROFIBUS-PA

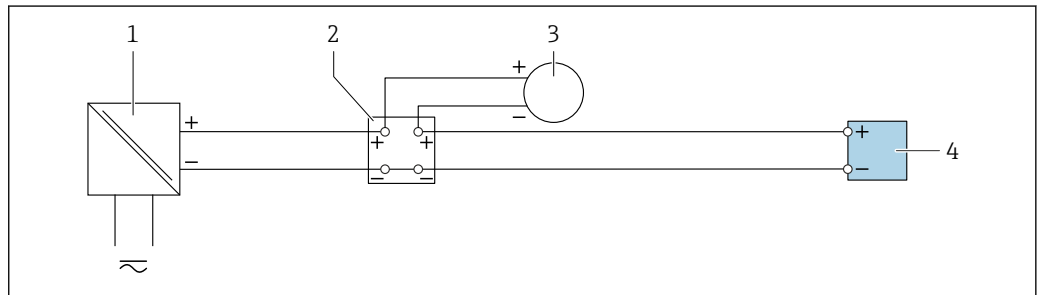


A0028768

9 Connection example for PROFIBUS-PA

- 1 Control system (e.g. PLC)
- 2 PROFIBUS PA segment coupler
- 3 Cable shield: the cable shield must be grounded at both ends to comply with EMC requirements; observe cable specifications
- 4 T-box
- 5 Measuring device
- 6 Local grounding
- 7 Bus terminator
- 8 Potential matching line

Current input

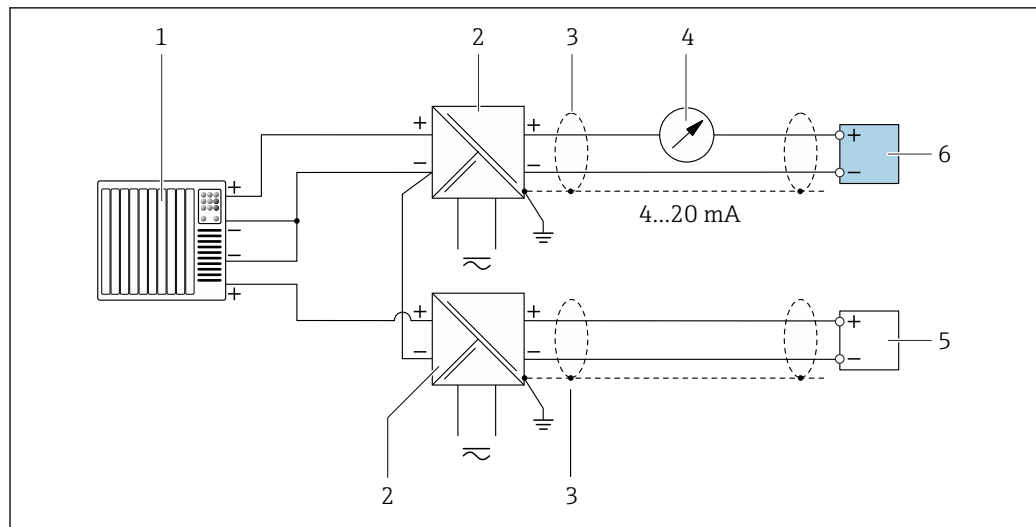


A0028915

10 Connection example for 4-20 mA current input

- 1 Active barrier for power supply (e.g. RN221N)
- 2 Terminal box
- 3 External measuring device (for reading in pressure or temperature, for instance)
- 4 Transmitter: Observe input values → 13

## HART input



A0028763

11 Connection example for HART input with a common negative (passive)

- 1 Automation system with HART output (e.g. PLC)
- 2 Active barrier for power supply (e.g. RN221N)
- 3 Cable shield: the cable shield must be grounded at both ends to comply with EMC requirements; observe cable specifications
- 4 Analog display unit: observe maximum load
- 5 Pressure measuring device (e.g. Cerabar M, Cerabar S): see requirements
- 6 Transmitter

## Potential equalization

## Requirements

Please consider the following to ensure correct measurement:

- Same electrical potential for the fluid and sensor
- Remote version: same electrical potential for the sensor and transmitter
- Company-internal grounding concepts
- Pipe material and grounding

## Terminals

- For device version without integrated overvoltage protection: plug-in spring terminals for wire cross-sections 0.5 to 2.5 mm<sup>2</sup> (20 to 14 AWG)
- For device version with integrated overvoltage protection: screw terminals for wire cross-sections 0.2 to 2.5 mm<sup>2</sup> (24 to 14 AWG)

## Cable entries

- Cable gland (not for Ex d): M20 × 1.5 with cable  $\varnothing$  6 to 12 mm (0.24 to 0.47 in)
- Thread for cable entry:
  - For non-hazardous and hazardous areas: NPT 1/2"
  - For non-hazardous and hazardous areas (not for XP): G 1/2"
  - For Ex d: M20 × 1.5

## Cable specification

## Permitted temperature range

- The installation guidelines that apply in the country of installation must be observed.
- The cables must be suitable for the minimum and maximum temperatures to be expected.

## Signal cable

*Current output 4 to 20 mA HART*

A shielded cable is recommended. Observe grounding concept of the plant.

*Current output 4 to 20 mA*

Standard installation cable is sufficient.

*Pulse/frequency/switch output*

Standard installation cable is sufficient.




*Current input*

Standard installation cable is sufficient.


*FOUNDATION Fieldbus*

Twisted, shielded two-wire cable.

-  For further information on planning and installing FOUNDATION Fieldbus networks see:
- Operating Instructions for "FOUNDATION Fieldbus Overview" (BA00013S)
  - FOUNDATION Fieldbus Guideline
  - IEC 61158-2 (MBP)

*PROFIBUS PA*

Twisted, shielded two-wire cable. Cable type A is recommended .

-  For further information on planning and installing PROFIBUS PA networks see:
- Operating Instructions "PROFIBUS DP/PA: Guidelines for planning and commissioning" (BA00034S)
  - PNO Directive 2.092 "PROFIBUS PA User and Installation Guideline"
  - IEC 61158-2 (MBP)

**Connecting cable for remote version**

*Connecting cable (standard)*

<b>Standard cable</b>	2 × 2 × 0.5 mm <sup>2</sup> (22 AWG) PVC cable with common shield (2 pairs, pair-stranded) <sup>1)</sup>
<b>Flame resistance</b>	According to DIN EN 60332-1-2
<b>Oil-resistance</b>	According to DIN EN 60811-2-1
<b>Shielding</b>	Galvanized copper-braid, opt. density approx.85 %
<b>Cable length</b>	5 m (16 ft), 10 m (32 ft), 20 m (65 ft), 30 m (98 ft)
<b>Operating temperature</b>	When mounted in a fixed position: -50 to +105 °C (-58 to +221 °F); when cable can move freely: -25 to +105 °C (-13 to +221 °F)

- 1) UV radiation may cause damage to the outer jacket of the cable. Protect the cable from exposure to sun as much as possible.

*Connecting cable (reinforced)*

<b>Cable, reinforced</b>	2 × 2 × 0.34 mm <sup>2</sup> (22 AWG) PVC cable with common shield (2 pairs, pair-stranded) and additional steel-wire braided sheath <sup>1)</sup>
<b>Flame resistance</b>	According to DIN EN 60332-1-2
<b>Oil-resistance</b>	According to DIN EN 60811-2-1
<b>Shielding</b>	Galvanized copper-braid, opt. density approx. 85%
<b>Strain relief and reinforcement</b>	Steel-wire braid, galvanized
<b>Cable length</b>	5 m (16 ft), 10 m (32 ft), 20 m (65 ft), 30 m (98 ft)
<b>Operating temperature</b>	When mounted in a fixed position: -50 to +105 °C (-58 to +221 °F); when cable can move freely: -25 to +105 °C (-13 to +221 °F)

- 1) UV radiation may cause damage to the outer jacket of the cable. Protect the cable from exposure to sun as much as possible.

**Overvoltage protection**

The device can be ordered with integrated overvoltage protection for diverse approvals:  
*Order code for "Accessory mounted", option NA "Overvoltage protection"*

<b>Input voltage range</b>	Values correspond to supply voltage specifications →  26 <sup>1)</sup>
<b>Resistance per channel</b>	2 · 0.5 Ω max.
<b>DC sparkover voltage</b>	400 to 700 V
<b>Trip surge voltage</b>	< 800 V
<b>Capacitance at 1 MHz</b>	< 1.5 pF
<b>Nominal discharge current (8/20 μs)</b>	10 kA
<b>Temperature range</b>	-40 to +85 °C (-40 to +185 °F)

1) The voltage is reduced by the amount of the internal resistance  $I_{min} \cdot R_i$

Depending on the temperature class, restrictions apply to the ambient temperature for device versions with overvoltage protection .

For detailed information on the temperature tables, see the "Safety Instructions" (XA) for the device.

## Performance characteristics

### Reference operating conditions

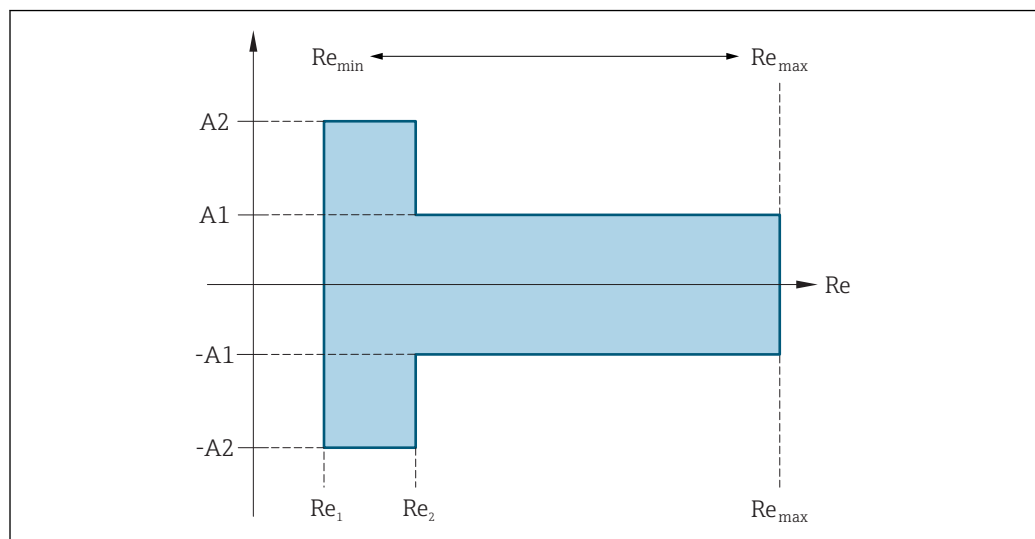
- Error limits following ISO/DIN 11631
- +20 to +30 °C (+68 to +86 °F)
- 2 to 4 bar (29 to 58 psi)
- Calibration system traceable to national standards
- Calibration with the process connection corresponding to the particular standard

To obtain measured errors, use the *Applicator* sizing tool → 74

### Maximum measured error

### Base accuracy

o.r. = of reading



A0034077

Reynolds numbers	Incompressible	Compressible
	Standard	Standard
Re <sub>1</sub>	5 000	
Re <sub>2</sub>	20 000	

*Volume flow*

Medium type		Incompressible	Compressible <sup>1)</sup>
Reynolds number range	Measured value deviation	Standard	Standard
Re <sub>1</sub> to Re <sub>2</sub>	A2	< 10 %	< 10 %
Re <sub>2</sub> to Re <sub>max</sub>	A1	< 0.75 %	< 1.0 %

1) Accuracy specifications valid up to 75 m/s (246 ft/s)

*Temperature*

- Saturated steam and liquids at room temperature, if T > 100 °C (212 °F) applies:  
< 1 °C (1.8 °F)
- Gas:  
< 1 % o.r. [K]
- Volume flow if > 70 m/s (230 ft/s):  
2 % o.r.

Rise time 50 % (stirred under water, following IEC 60751): 8 s

*Mass flow saturated steam*

Flow velocity [m/s (ft/s)]	Temperature [°C (°F)]	Reynolds number range	Maximum measured error	Standard
20 to 50 (66 to 164)	150 (302) or (423 K)	Re <sub>2</sub> to Re <sub>max</sub>	A1	< 1.7 %
		Re <sub>1</sub> to Re <sub>2</sub>	A2	< 10 %
10 to 70 (33 to 210)	> 140 (284) or (413 K)	Re <sub>2</sub> to Re <sub>max</sub>	A1	< 2 %
		Re <sub>1</sub> to Re <sub>2</sub>	A2	< 10 %
< 10 (33)	-	Re > Re <sub>1</sub>	A2, A1	5%

*Mass flow of superheated steam/gases <sup>1)</sup>*

Process pressure [bar abs. (psi abs.)]	Reynolds number range	Measured value deviation	Standard <sup>1)</sup>
< 40 (580)	Re <sub>2</sub> to Re <sub>max</sub>	A1	1.7 %
	Re <sub>1</sub> to Re <sub>2</sub>	A2	10 %
< 120 (1740)	Re <sub>2</sub> to Re <sub>max</sub>	A1	2.6 %
	Re <sub>1</sub> to Re <sub>2</sub>	A2	10 %

1) The use of a Cerabar S is required for the measured errors listed in the following section. The measured error used to calculate the error in the measured pressure is 0.15 %.

*Water mass flow*

Reynolds number range	Measured value deviation	Standard
Re = Re <sub>2</sub>	A1	< 0.85 %
Re <sub>1</sub> to Re <sub>2</sub>	A2	< 10 %

1) single gas, gas mixture, air: NEL40; natural gas: ISO 12213-2 contains AGA8-DC92, AGA NX-19, ISO 12213-3 contains SGERG-88 and AGA8 Gross Method 1

*Mass flow (user-specific liquids)*

To specify the system accuracy, Endress+Hauser requires information about the type of liquid and its operating temperature or information in table form about the dependency between the liquid density and the temperature.

*Example*

- Acetone is to be measured at fluid temperatures from +70 to +90 °C (+158 to +194 °F).
- For this purpose, the **Reference temperature** parameter (7703) (here 80 °C (176 °F)), **Reference density** parameter (7700) (here 720.00 kg/m<sup>3</sup>) and **Linear expansion coefficient** parameter (7621) (here  $18.0298 \times 10^{-4} 1/^{\circ}\text{C}$ ) must be entered in the transmitter.
- The overall system uncertainty, which is less than 0.9 % for the example above, is comprised of the following measurement uncertainties: uncertainty of volume flow measurement, uncertainty of temperature measurement, uncertainty of the density-temperature correlation used (including the resulting uncertainty of density).

*Mass flow (other media)*

Depends on the selected fluid and the pressure value, which is specified in the parameters. Individual error analysis must be performed.

**Diameter mismatch correction**

Prowirl 200 can correct shifts in the calibration factor which are caused, for example, by diameter mismatch between the device flange (e.g. ASME B16.5/Sch. 80, DN 50 (2")) and the mating pipe (e.g. ASME B16.5/Sch. 40, DN 50 (2")). Only apply diameter mismatch correction within the following limit values (listed below) for which test measurements have also been performed.

If the standard internal diameter of the ordered process connection differs from the internal diameter of the mating pipe, an additional measuring uncertainty of approx. 2 % o.r. must be expected.

**Example**

Influence of the diameter mismatch without using the correction function:

- Mating pipe DN 100 (4"), schedule 80
- Device flange DN 100 (4"), schedule 40
- This installation position results in a diameter mismatch of 5 mm (0.2 in). If the correction function is not used, an additional measuring uncertainty of approx. 2 % o.r. must be expected.



For detailed information about diameter mismatch correction, refer to the Operating Instructions

**Accuracy of outputs**

The outputs have the following base accuracy specifications.

*Current output*

<b>Accuracy</b>	±10 µA
-----------------	--------

*Pulse/frequency output*

o.r. = of reading

<b>Accuracy</b>	Max. ±100 ppm o.r.
-----------------	--------------------

**Repeatability**

o.r. = of reading

±0.2 % o.r.

**Response time**

If all the configurable functions for filter times (flow damping, display damping, current output time constant, frequency output time constant, status output time constant) are set to 0, in the event of vortex frequencies of 10 Hz and higher a response time of  $\max(T_v, 100 \text{ ms})$  can be expected.

In the event of measuring frequencies < 10 Hz, the response time is > 100 ms and can be up to 10 s.  $T_v$  is the average vortex period duration of the flowing fluid.

**Influence of ambient temperature**

**Current output**

o.r. = of reading

Additional error, based on span of 16 mA:

Temperature coefficient at zero point (4 mA)	0.02 %/10 K
Temperature coefficient with span (20 mA)	0.05 %/10 K

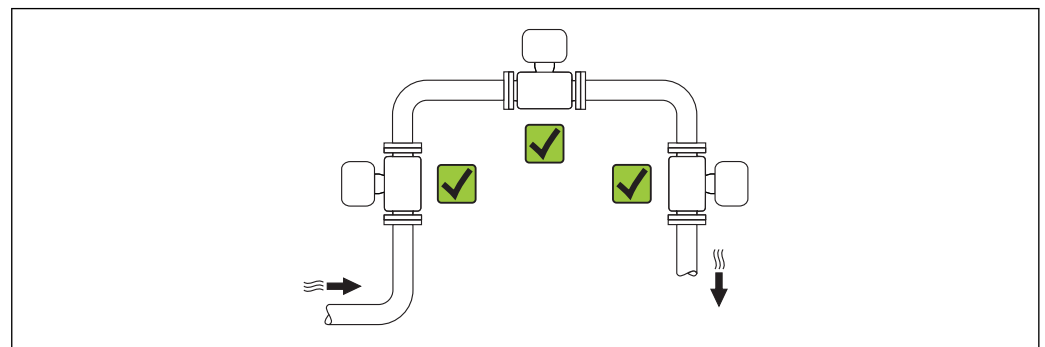
**Pulse/frequency output**

o.r. = of reading

Temperature coefficient	Max. ±100 ppm o.r.
-------------------------	--------------------

## Installation

**Mounting location**



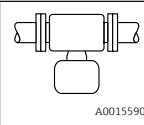

A0015543

**Orientation**

The direction of the arrow on the sensor nameplate helps you to install the sensor according to the flow direction (direction of medium flow through the piping).

Vortex meters require a fully developed flow profile as a prerequisite for correct volume flow measurement. Therefore, please note the following:

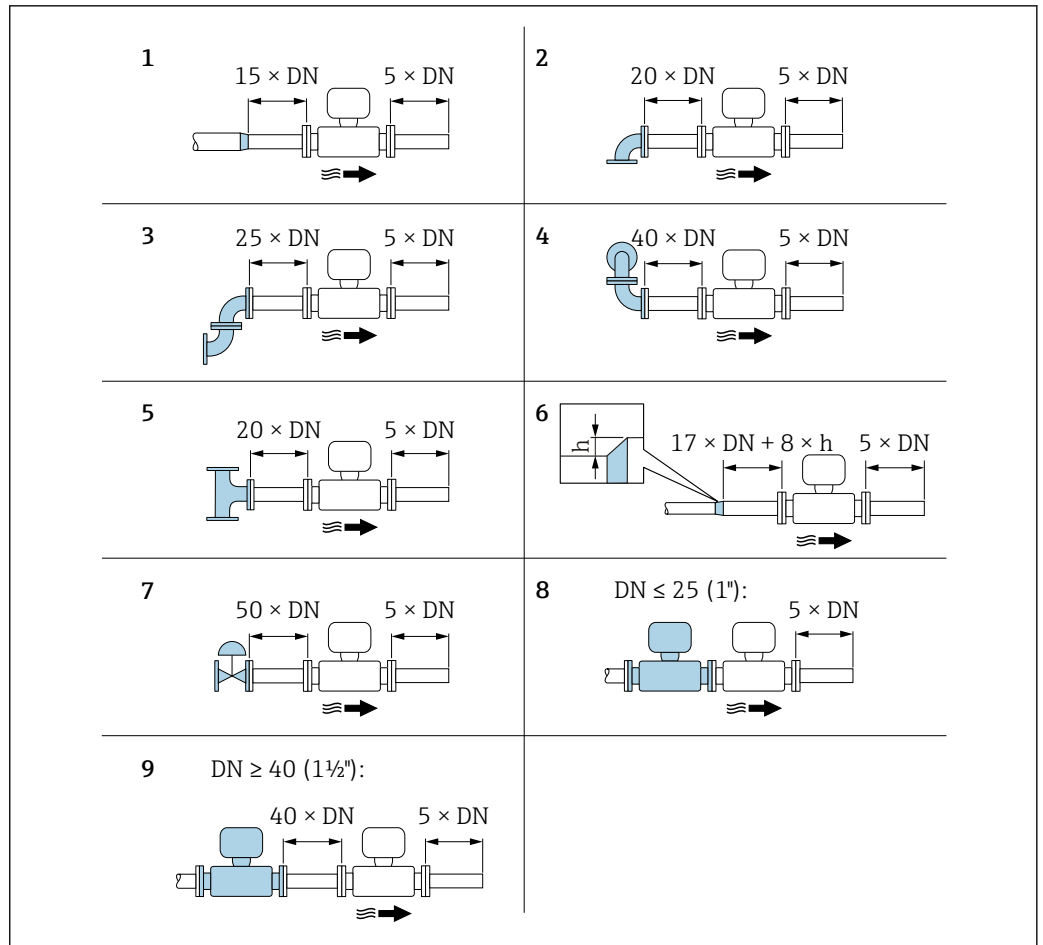
Orientation		Compact version	Remote version
<b>A</b>	Vertical orientation	✓✓ <sup>1)</sup>	✓✓
<b>B</b>	Horizontal orientation, transmitter head up	✓✓ <sup>2) 3)</sup>	✓✓

Orientation		Compact version	Remote version
<b>C</b>	Horizontal orientation, transmitter head down 	✓✓ <sup>4)</sup>	✓✓
<b>D</b>	Horizontal orientation, transmitter head at side 	✓✓	✓✓

- 1) In the case of liquids, there should be upward flow in vertical pipes to avoid partial pipe filling (Fig. A). Disruption in flow measurement! In the case of vertical orientation and downward flowing liquid, the pipe always needs to be completely filled to ensure correct liquid flow measurement.
- 2) Danger of electronics overheating! If the fluid temperature is  $\geq 200\text{ °C}$  ( $392\text{ °F}$ ), orientation B is not permitted for the wafer version (Prowirl D) with nominal diameters of DN 100 (4") and DN 150 (6").
- 3) In the case of hot media (e.g. steam or fluid temperature (TM)  $\geq 200\text{ °C}$  ( $392\text{ °F}$ ): orientation C or D
- 4) In the case of very cold media (e.g. liquid nitrogen): orientation B or D

#### Inlet and outlet runs

To attain the specified level of accuracy of the measuring device, the inlet and outlet runs mentioned below must be maintained at the very minimum.



A0019189

12 Minimum inlet and outlet runs with various flow obstructions

*h* Difference in expansion

1 Reduction by one nominal diameter size

2 Single elbow (90° elbow)

3 Double elbow (2 × 90° elbows, opposite)

4 Double elbow 3D (2 × 90° elbows, opposite, not on one plane)

5 T-piece

6 Expansion

7 Control valve

8 Two measuring devices in a row where  $DN \leq 25$  (1''): directly flange on flange

9 Two measuring devices in a row where  $DN \geq 40$  (1 1/2''): for spacing, see graphic

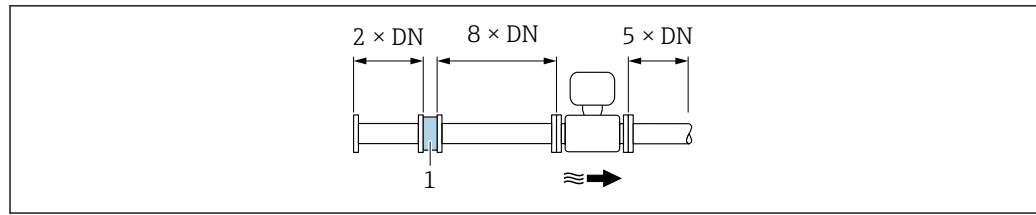


- If there are several flow disturbances present, the longest specified inlet run must be maintained.
- If the required inlet runs cannot be observed, it is possible to install a specially designed flow conditioner → 39.

#### Flow conditioner

If the inlet runs cannot be observed, the use of a flow conditioner is recommended.

The flow conditioner is fitted between two pipe flanges and centered by the mounting bolts. Generally this reduces the inlet run needed to  $10 \times DN$  with full accuracy.



1 Flow conditioner

The pressure loss for flow conditioners is calculated as follows:  $\Delta p \text{ [mbar]} = 0.0085 \cdot \rho \text{ [kg/m}^3\text{]} \cdot v^2 \text{ [m/s]}$

Example for steam

$p = 10 \text{ bar abs.}$

$t = 240 \text{ }^\circ\text{C} \rightarrow \rho = 4.39 \text{ kg/m}^3$

$v = 40 \text{ m/s}$

$\Delta p = 0.0085 \cdot 4.39 \cdot 40^2 = 59.7 \text{ mbar}$

Example for H<sub>2</sub>O condensate (80 °C)

$\rho = 965 \text{ kg/m}^3$

$v = 2.5 \text{ m/s}$

$\Delta p = 0.0085 \cdot 965 \cdot 2.5^2 = 51.3 \text{ mbar}$

$\rho$  : density of the process medium

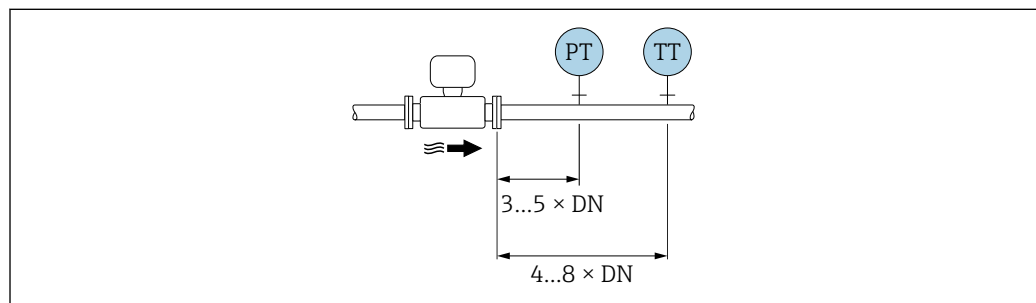
$v$ : average flow velocity

abs. = absolute

**i** A specially designed flow conditioner is available from Endress+Hauser: → 50

### Outlet runs when installing external devices

If installing an external device, observe the specified distance.



PT Pressure

TT Temperature device

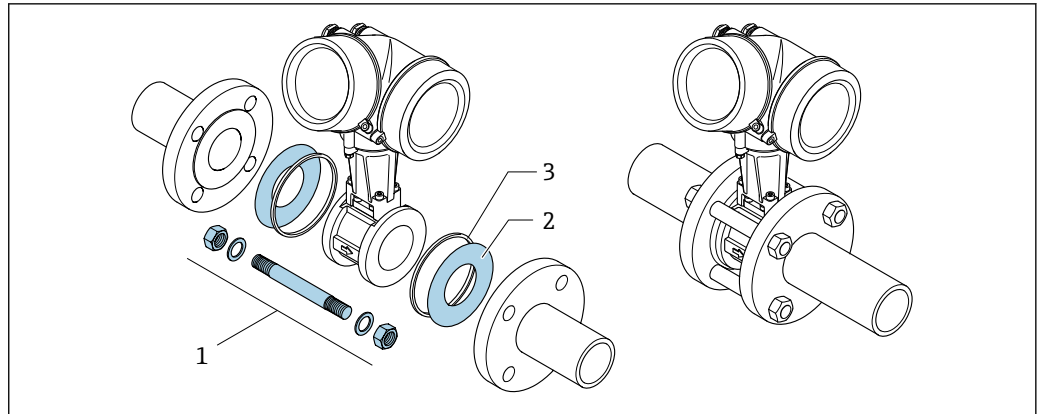
### Mounting kit for disc (wafer version)

The centering rings supplied are used to mount and center the wafer-style devices.

A mounting kit comprises:

- Tie rods
- Seals
- Nuts
- Washers





A0019875

13 Mounting kit for wafer version

- 1 Nut, washer, tie rod
- 2 Seal
- 3 Centering ring (is supplied with the measuring device)



Length of connecting cable

To ensure correct measuring results when using the remote version,

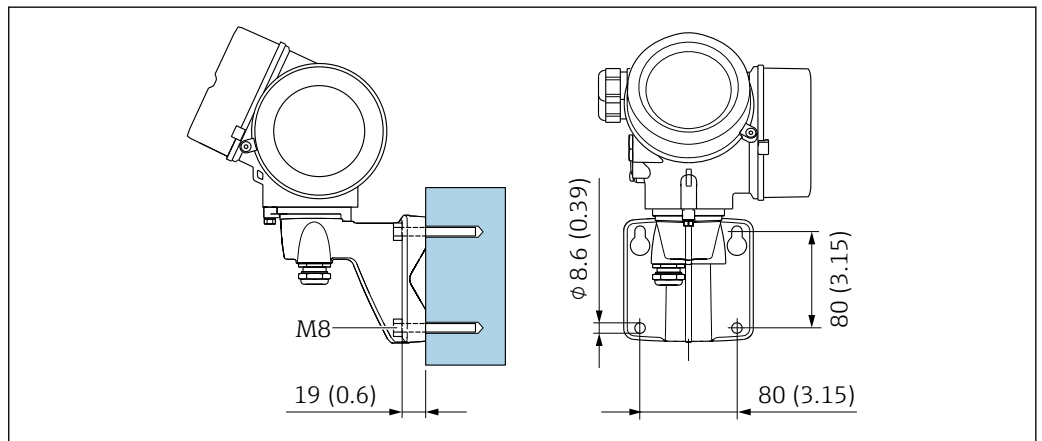
- observe the maximum permitted cable length:  $L_{\text{max}} = 30 \text{ m}$  (90 ft).
- The value for the cable length must be calculated if the cable cross-section differs from the specification.



For detailed information about calculating the length of the connecting cable, refer to the Operating Instructions for the device on the CD-ROM provided

Mounting the transmitter housing

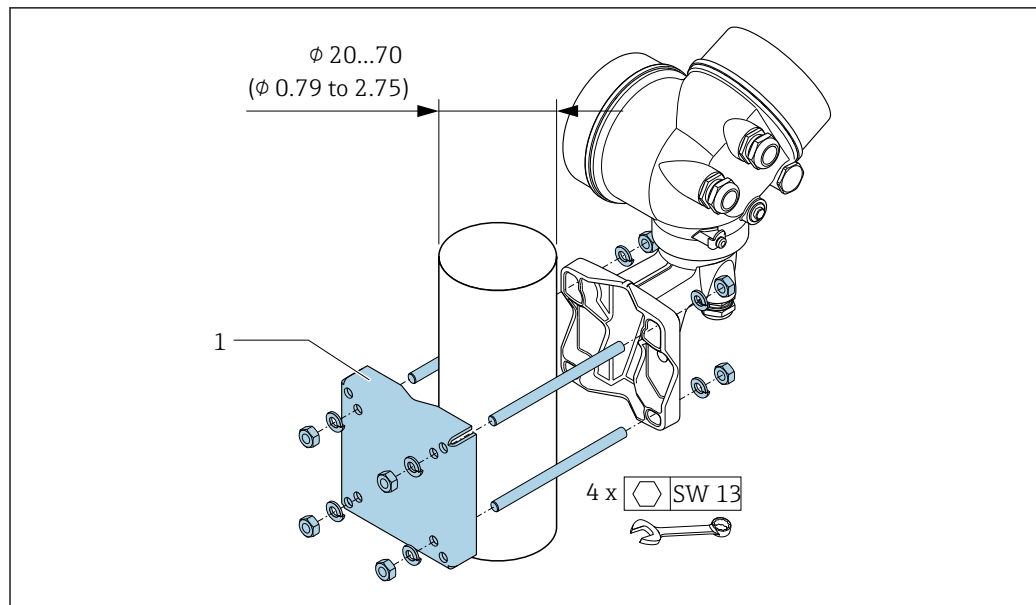
Wall mounting



A0033484

14 mm (in)

### Post mounting



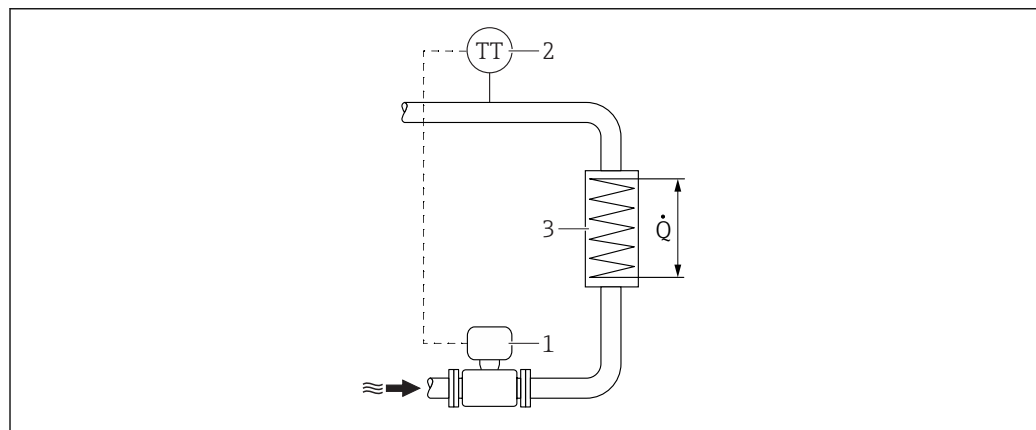
15 mm (in)

### Special mounting instructions

#### Installation for delta heat measurements

The second temperature measurement is taken using a separate temperature sensor. The measuring device reads in this value via a communication interface.

- In the case of saturated steam delta heat measurements, the measuring device must be installed on the steam side.
- In the case of water delta heat measurements, the device can be installed on the cold or warm side.



16 Layout for delta heat measurement of saturated steam and water

- 1 Measuring device
- 2 Temperature sensor
- 3 Heat exchanger
- Q Heat flow

#### Protective cover

Observe the following minimum head clearance: 222 mm (8.74 in)

**i** For information on the weather protection cover, see → 72

## Environment

### Ambient temperature range

#### Compact version

<b>Measuring device</b>	Non-hazardous area:	-40 to +80 °C (-40 to +176 °F) <sup>1)</sup>
	Ex i, Ex nA, Ex ec:	-40 to +70 °C (-40 to +158 °F) <sup>1)</sup>
	Ex d, XP:	-40 to +60 °C (-40 to +140 °F) <sup>1)</sup>
	Ex d, Ex ia:	-40 to +60 °C (-40 to +140 °F) <sup>1)</sup>
<b>Local display</b>		-40 to +70 °C (-40 to +158 °F) <sup>2) 1)</sup>

- 1) Additionally available as order code for "Test, certificate", option JN "Transmitter ambient temperature - 50 °C (-58 °F)".
- 2) At temperatures < -20 °C (-4 °F), depending on the physical characteristics involved, it may no longer be possible to read the liquid crystal display.

#### Remote version

<b>Transmitter</b>	Non-hazardous area:	-40 to +80 °C (-40 to +176 °F) <sup>1)</sup>
	Ex i, Ex nA, Ex ec:	-40 to +80 °C (-40 to +176 °F) <sup>1)</sup>
	Ex d:	-40 to +60 °C (-40 to +140 °F) <sup>1)</sup>
	Ex d, Ex ia:	-40 to +60 °C (-40 to +140 °F) <sup>1)</sup>
<b>Sensor</b>	Non-hazardous area:	-40 to +85 °C (-40 to +185 °F) <sup>1)</sup>
	Ex i, Ex nA, Ex ec:	-40 to +85 °C (-40 to +185 °F) <sup>1)</sup>
	Ex d:	-40 to +85 °C (-40 to +185 °F) <sup>1)</sup>
	Ex d, Ex ia:	-40 to +85 °C (-40 to +185 °F) <sup>1)</sup>
<b>Local display</b>		-40 to +70 °C (-40 to +158 °F) <sup>2) 1)</sup>

- 1) Additionally available as order code for "Test, certificate", option JN "Transmitter ambient temperature - 50 °C (-58 °F)".
- 2) At temperatures < -20 °C (-4 °F), depending on the physical characteristics involved, it may no longer be possible to read the liquid crystal display.

- ▶ If operating outdoors:  
Avoid direct sunlight, particularly in warm climatic regions.



You can order a weather protection cover from Endress+Hauser. → [72](#).

### Storage temperature

All components apart from the display modules:  
-50 to +80 °C (-58 to +176 °F)

#### Display modules

All components apart from the display modules:  
-50 to +80 °C (-58 to +176 °F)

Remote display FHX50:  
-50 to +80 °C (-58 to +176 °F)

### Climate class

DIN EN 60068-2-38 (test Z/AD)

### Degree of protection

#### Transmitter

- As standard: IP66/67, type 4X enclosure
- When housing is open: IP20, type 1 enclosure
- Display module: IP20, type 1 enclosure

#### Sensor

IP66/67, type 4X enclosure

**Connector**

IP67, only in screwed situation

**Vibration resistance****Vibration, sinusoidal according to IEC 60068-2-6**

- Order code for "Housing", option C "GT20 two-chamber, aluminum, coated, compact", J "GT20 two-chamber, aluminum, coated, remote", K "GT18 two-chamber, 316L, remote"
  - 2 to 8.4 Hz, 7.5 mm peak
  - 8.4 to 500 Hz, 2 g peak
- Order code for "Housing", option B "GT18 two-chamber, 316L, compact"
  - 2 to 8.4 Hz, 3.5 mm peak
  - 8.4 to 500 Hz, 1 g peak

**Vibration broad-band random, according to IEC 60068-2-64**

- Order code for "Housing", option C "GT20 two-chamber, aluminum, coated, compact", J "GT20 two-chamber, aluminum, coated, remote", K "GT18 two-chamber, 316L, remote"
  - 10 to 200 Hz, 0.01 g<sup>2</sup>/Hz
  - 200 to 500 Hz, 0.003 g<sup>2</sup>/Hz
  - Total 2.7 g rms
- Order code for "Housing", option B "GT18 two-chamber, 316L, compact"
  - 10 to 200 Hz, 0.003 g<sup>2</sup>/Hz
  - 200 to 500 Hz, 0.001 g<sup>2</sup>/Hz
  - Total 1.54 g rms

**Shock resistance****Shock, half-sine according to IEC 60068-2-27**

- Order code for "Housing", option C "GT20 two-chamber, aluminum, coated, compact", J "GT20 two-chamber, aluminum, coated, remote", K "GT18 two-chamber, 316L, remote"
  - 6 ms, 50 g
- Order code for "Housing", option B "GT18 two-chamber, 316L, compact"
  - 6 ms, 30 g

**Impact resistance**

Rough handling shocks according to IEC 60068-2-31

**Electromagnetic compatibility (EMC)**

As per IEC/EN 61326 and NAMUR Recommendation 21 (NE 21)



Details are provided in the Declaration of Conformity.

## Process

**Medium temperature range**DSC sensor <sup>1)</sup>

Order code for "Sensor version; DSC sensor; measuring tube"		
Option	Description	Medium temperature range
AA	Volume; 316L; 316L	-40 to +260 °C (-40 to +500 °F), stainless steel
BA	Volume high-temperature; 316L; 316L	-200 to +400 °C (-328 to +750 °F), stainless steel
CA	Mass; 316L; 316L	-200 to +400 °C (-328 to +750 °F), stainless steel

1) Capacitance sensor

**Seals**

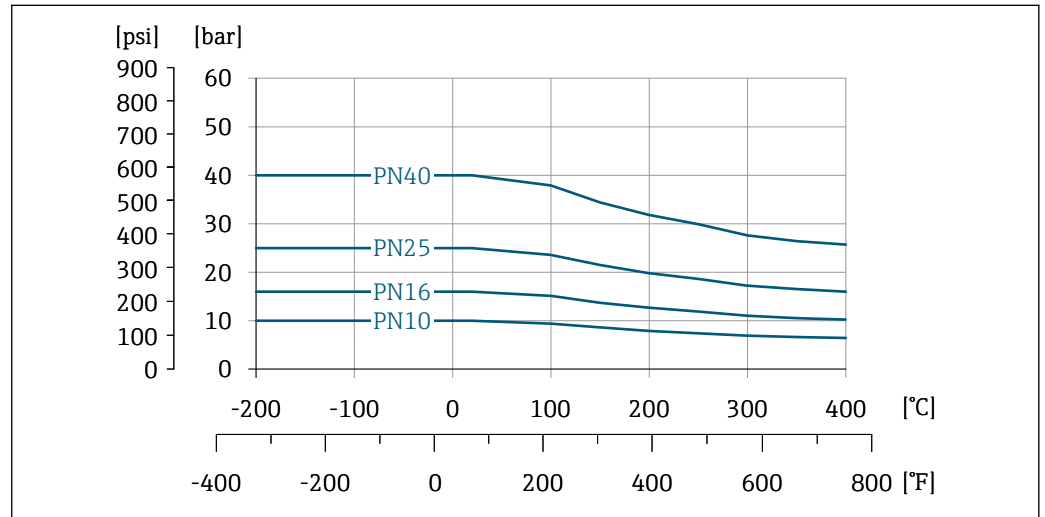
Order code for "DSC sensor seal"		
Option	Description	Medium temperature range
A	Graphite (standard)	-200 to +400 °C (-328 to +752 °F)
B	Viton	-15 to +175 °C (+5 to +347 °F)
C	Gylon	-200 to +260 °C (-328 to +500 °F)
D	Kalrez	-20 to +275 °C (-4 to +527 °F)

**Pressure-temperature ratings**

The following pressure/temperature diagrams apply to all pressure-bearing parts of the device and not just the process connection. The diagrams show the maximum permissible medium pressure depending on the specific medium temperature.

The pressure-temperature rating for the specific measuring device is programmed into the software. If values exceed the curve range a warning is displayed. Depending on the system configuration and sensor version, the pressure and temperature are determined by entering, reading in or calculating values.

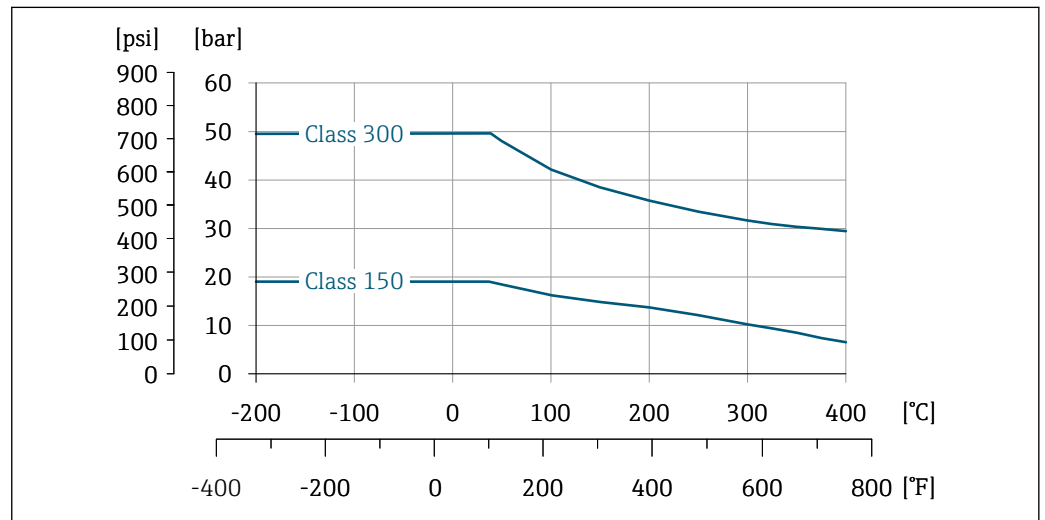
**Wafer flange for pressure ratings according to EN 1092-1, material group 13E0**



17 Material: stainless steel, CF3M/1.4408

A0034042-EN

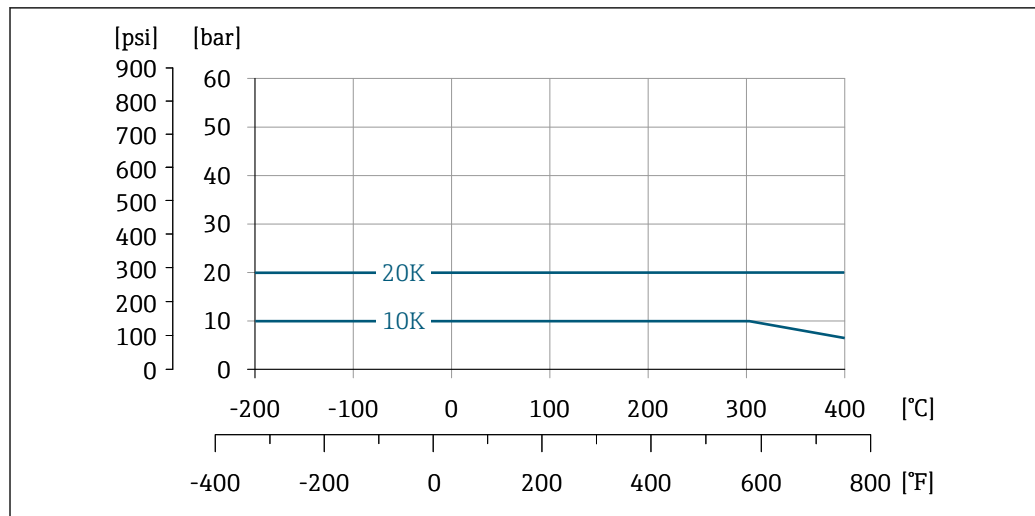
**Wafer flange for pressure ratings according to ASME B16.5, material group 2.2**



18 Material: stainless steel, CF3M/1.4408

A0034040-EN

Wafer flange for connection to flanges according to JIS B2220



A0034043-EN

19 Material: stainless steel, CF3M/1.4408

Nominal pressure of sensor

The following overpressure resistance values apply to the sensor shaft in the event of a membrane rupture:

Sensor version; DSC sensor; measuring tube	Overpressure, sensor shaft in [bar a]
Volume	200
Volume high-temperature	200
Mass (integrated temperature measurement)	200

Pressure loss

For a precise calculation, use the Applicator → 74.

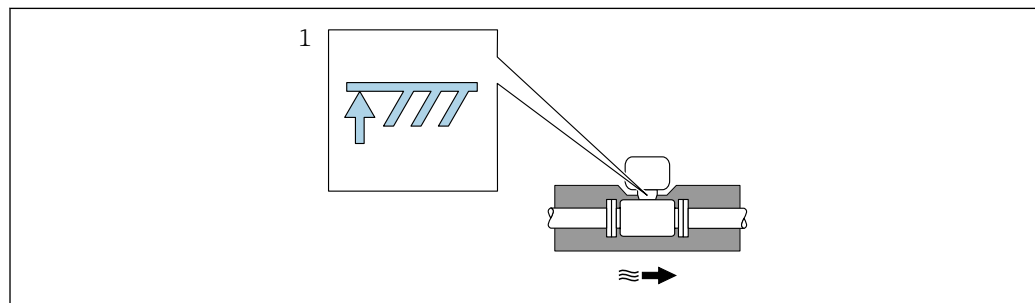
Thermal insulation

For optimum temperature measurement and mass calculation, heat transfer at the sensor must be avoided for some fluids. This can be ensured by installing thermal insulation. A wide range of materials can be used for the required insulation.

This applies for:

- Compact version
- Remote sensor version

The maximum insulation height permitted is illustrated in the diagram:



A0019212

1 Maximum insulation height

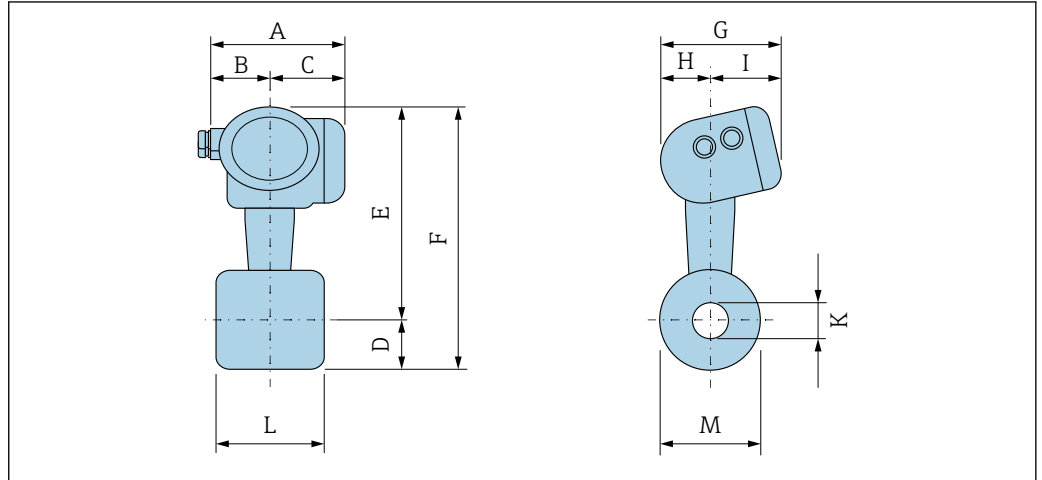
- When insulating, ensure that a sufficiently large area of the housing support remains exposed. The uncovered part serves as a radiator and protects the electronics from overheating and excessive cooling.

## Mechanical construction

**Dimensions in SI units**

**Compact version**

Order code for "Housing", option J "GT20 two-chamber, aluminum, coated, remote"; option K "GT18 two-chamber, 316L, remote"



A0033795

**Wafer flange according to:**

- EN 1092-1-B1 (DIN 2501): PN 10/16/25/40
- ASME B16.5: Class 150/300, Schedule 40
- JIS B2220: 10/20K, Schedule 40

1.4404/F316/F316L

Order code for "Process connection", option DDS/DES/D1S/D2S/AAS/ABS/NDS/NES

DN	A <sup>1)</sup>	B	C <sup>1)</sup>	D	E <sup>2) 3)</sup>	F <sup>2) 3)</sup>	G	H	I <sup>4)</sup>	K (D <sub>i</sub> )	L <sup>5)</sup>	M
[mm]	[mm]	[mm]	[mm]	[mm]	[mm]	[mm]	[mm]	[mm]	[mm]	[mm]	[mm]	[mm]
15 <sup>6)</sup>	140.2	51.7	88.5	23.4	252.5	275.9	159.9	58.2	101.7	16.5	65	45
25 <sup>6)</sup>	140.2	51.7	88.5	32.4	262.0	294.4	159.9	58.2	101.7	27.6	65	64
40 <sup>6)</sup>	140.2	51.7	88.5	41.5	270.5	312.0	159.9	58.2	101.7	42	65	82
50	140.2	51.7	88.5	46.5	277.5	324.0	159.9	58.2	101.7	53.5	65	92
80	140.2	51.7	88.5	64.0	291.5	355.5	159.9	58.2	101.7	80.3	65	127
100 <sup>7)</sup>	140.2	51.7	88.5	79.1	304.0	383.1	159.9	58.2	101.7	104.8	65	157.2
100 <sup>8)</sup>	140.2	51.7	88.5	79.1	303.2	382.3	159.9	58.2	101.7	102.3	65	157.2
150	140.2	51.7	88.5	108.5	330.0	438.5	159.9	58.2	101.7	156.8	65	215.9

- 1) For version with overvoltage protection: values + 8 mm
- 2) For version without local display: values - 10 mm
- 3) For high-temperature/low-temperature version: values + 29 mm
- 4) For version without local display: values - 7 mm
- 5) ±0.5 mm
- 6) Not available for JIS B2220, 10K
- 7) EN (DIN), ASME
- 8) JIS

Wafer flange according to:

- ASME B16.5: Class 150/300, Schedule 80
- JIS B2220: 10/20K, Schedule 80

1.4404/F316/F316L

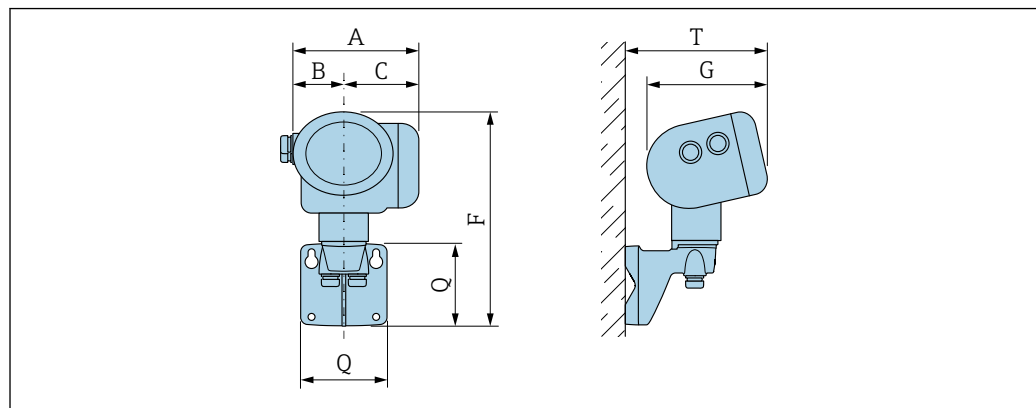
Order code for "Process connection", option AFS/AGS/NFS/NGS

DN	A <sup>1)</sup>	B	C	D	E <sup>2) 3)</sup>	F	G	H	I <sup>4)</sup>	K (D <sub>i</sub> )	L <sup>5)</sup>	M
[mm]	[mm]	[mm]	[mm]	[mm]	[mm]	[mm]	[mm]	[mm]	[mm]	[mm]	[mm]	[mm]
15 <sup>6) 7)</sup>	140.2	51.7	88.5	23.4	252.5	275.9	159.9	58.2	101.7	13.9	65	45
25 <sup>6)</sup>	140.2	51.7	88.5	32.4	262.0	294.4	159.9	58.2	101.7	24.3	65	64
40	140.2	51.7	88.5	41.5	270.5	312.0	159.9	58.2	101.7	38.1	65	82
50	140.2	51.7	88.5	46.5	277.5	324.0	159.9	58.2	101.7	49.3	65	92
80	140.2	51.7	88.5	64.0	291.5	355.5	159.9	58.2	101.7	73.7	65	127
100 <sup>8)</sup>	140.2	51.7	88.5	79.1	304.0	383.1	159.9	58.2	101.7	97.2	65	157.2
100 <sup>9)</sup>	140.2	51.7	88.5	79.1	303.2	382.3	159.9	58.2	101.7	97.2	65	157.2
150	140.2	51.7	88.5	108.5	330.0	438.5	159.9	58.2	101.7	146.3	65	215.9

- 1) For version with overvoltage protection: values + 8 mm
- 2) For version without local display: values - 10 mm
- 3) For high-temperature/low-temperature version: values + 29 mm
- 4) For version without local display: values - 7 mm
- 5) ±0.5 mm
- 6) Not available for JIS B2220, 10K
- 7)
- 8) EN (DIN), ASME
- 9) JIS

#### Transmitter remote version

Order code for "Housing", option J "GT20 two-chamber, aluminum, coated, remote"; option K "GT18 two-chamber, 316L, remote"



A003796

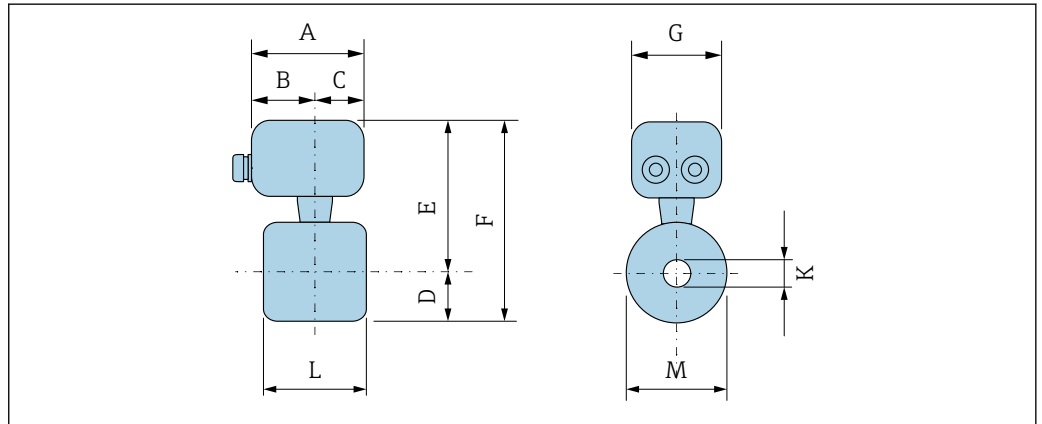
A <sup>1)</sup>	B	C <sup>1)</sup>	F <sup>2)</sup>	G <sup>3)</sup>	Q	T <sup>3)</sup>
[mm]	[mm]	[mm]	[mm]	[mm]	[mm]	[mm]
140.2	51.7	88.5	254	159.9	107	191

- 1) For version with overvoltage protection: value + 8 mm
- 2) For version without local display: value - 10 mm
- 3) For version without local display: value - 7 mm



**Sensor remote version**

Order code for "Housing", option J "GT20 two-chamber, aluminum, coated, remote"; option K "GT18 two-chamber, 316L, remote"



A0033798

**Wafer flange according to:**

- EN 1092-1-B1 (DIN 2501): PN 10/16/25/40
- ASME B16.5: Class 150/300, Schedule 40
- JIS B2220: 10/20K, Schedule 40

1.4404/F316/F316L

Order code for "Process connection", option DDS/DES/D1S/D2S/AAS/ABS/NDS/NES

DN [mm]	A [mm]	B [mm]	C [mm]	D [mm]	E <sup>1)</sup> [mm]	F <sup>1)</sup> [mm]	G [mm]	K (D <sub>i</sub> ) [mm]	L <sup>2)</sup> [mm]	M [mm]
15 <sup>3)</sup>	107.3	60	47.3	23.4	222.8	246.2	94.5	16.5	65	45
25 <sup>3)</sup>	107.3	60	47.3	32.4	232.3	264.7	94.5	27.6	65	64
40 <sup>3)</sup>	107.3	60	47.3	41.5	240.8	282.3	94.5	42	65	82
50	107.3	60	47.3	46.5	247.8	294.3	94.5	53.5	65	92
80	107.3	60	47.3	64.0	261.8	325.8	94.5	80.3	65	127
100 <sup>4)</sup>	107.3	60	47.3	79.1	274.3	353.4	94.5	104.8	65	157.2
100 <sup>5)</sup>	107.3	60	47.3	79.1	273.5	352.6	94.5	102.3	65	157.2
150	107.3	60	47.3	108.5	300.3	408.8	94.5	156.8	65	215.9

- 1) For high-temperature/low-temperature version: values +29 mm
- 2) ±0.5 mm
- 3) Not available for JIS B2220, 10K
- 4) EN (DIN), ASME
- 5) JIS

**Wafer flange according to:**

- ASME B16.5: Class 150/300, Schedule 80
- JIS B2220: 10/20K, Schedule 80

1.4404/F316/F316L

Order code for "Process connection", option AFS/AGS/NFS/NGS

DN [mm]	A [mm]	B [mm]	C [mm]	D [mm]	E <sup>1)</sup> [mm]	F [mm]	G [mm]	K (D <sub>i</sub> ) [mm]	L <sup>2)</sup> [mm]	M [mm]
15 <sup>3)</sup>	107.3	60	47.3	23.4	222.8	246.2	94.5	13.9	65	45
25 <sup>3)</sup>	107.3	60	47.3	32.4	232.3	264.7	94.5	24.3	65	64
40 <sup>3)</sup>	107.3	60	47.3	41.5	240.8	282.3	94.5	38.1	65	82
50	107.3	60	47.3	46.5	247.8	294.3	94.5	49.3	65	92

Wafer flange according to:

- ASME B16.5: Class 150/300, Schedule 80
- JIS B2220: 10/20K, Schedule 80

1.4404/F316/F316L

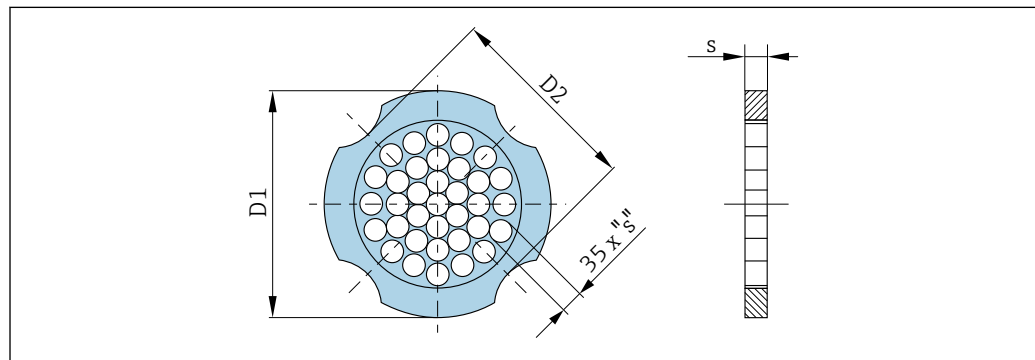
Order code for "Process connection", option AFS/AGS/NFS/NGS

DN [mm]	A [mm]	B [mm]	C [mm]	D [mm]	E <sup>1)</sup> [mm]	F [mm]	G [mm]	K (D <sub>i</sub> ) [mm]	L <sup>2)</sup> [mm]	M [mm]
80	107.3	60	47.3	64.0	261.8	325.8	94.5	73.7	65	127
100 <sup>4)</sup>	107.3	60	47.3	79.1	274.3	353.4	94.5	97.2	65	157.2
100 <sup>5)</sup>	107.3	60	47.3	79.1	273.5	352.6	94.5	97.2	65	157.2
150	107.3	60	47.3	108.5	300.3	408.8	94.5	146.3	65	215.9

- 1) For high-temperature/low-temperature version: values + 29 mm
- 2) ±0.5 mm
- 3) Not available for JIS B2220, 10K
- 4) EN (DIN), ASME
- 5) JIS

### Accessories

#### Flow conditioner



A0033504

Used in combination with flanges according to DIN EN 1092-1: PN 10

1.4404 (316, 316L)

Order code for "Accessory enclosed", option PF

DN [mm]	Centering diameter [mm]	D1 <sup>1)</sup> / D2 <sup>2)</sup>	s [mm]
15	54.3	D2	2.0
25	74.3	D1	3.5
40	95.3	D1	5.3
50	110.0	D2	6.8
80	145.3	D2	10.1
100	165.3	D2	13.3
150	221.0	D2	20.0

- 1) The flow conditioner is fitted at the outer diameter between the bolts.
- 2) The flow conditioner is fitted at the indentations between the bolts.

Used in combination with flanges according to DIN EN 1092-1: PN 16 1.4404 (316, 316L) Order code for "Accessory enclosed", option PF			
DN [mm]	Centering diameter [mm]	D1 <sup>1)</sup> / D2 <sup>2)</sup>	s [mm]
15	54.3	D2	2.0
25	74.3	D1	3.5
40	95.3	D1	5.3
50	110.0	D2	6.8
80	145.3	D2	10.1
100	165.3	D2	13.3
150	221.0	D2	20.0

- 1) The flow conditioner is fitted at the outer diameter between the bolts.  
2) The flow conditioner is fitted at the indentations between the bolts.

Used in combination with flanges according to DIN EN 1092-1: PN 25 1.4404 (316, 316L) Order code for "Accessory enclosed", option PF			
DN [mm]	Centering diameter [mm]	D1 <sup>1)</sup> / D2 <sup>2)</sup>	s [mm]
15	54.3	D2	2.0
25	74.3	D1	3.5
40	95.3	D1	5.3
50	110.0	D2	6.8
80	145.3	D2	10.1
100	171.3	D1	13.3
150	227.0	D2	20.0

- 1) The flow conditioner is fitted at the outer diameter between the bolts.  
2) The flow conditioner is fitted at the indentations between the bolts.

Used in combination with flanges according to DIN EN 1092-1: PN 40 1.4404 (316, 316L) Order code for "Accessory enclosed", option PF			
DN [mm]	Centering diameter [mm]	D1 <sup>1)</sup> / D2 <sup>2)</sup>	s [mm]
15	54.3	D2	2.0
25	74.3	D1	3.5
40	95.3	D1	5.3
50	110.0	D2	6.8
80	145.3	D2	10.1
100	171.3	D1	13.3
150	227.0	D2	20.0

- 1) The flow conditioner is fitted at the outer diameter between the bolts.  
2) The flow conditioner is fitted at the indentations between the bolts.

Used in combination with flanges according to ASME B16.5: Class 150 1.4404 (316, 316L) Order code for "Accessory enclosed", option PF			
DN [mm]	Centering diameter [mm]	D1 <sup>1)</sup> / D2 <sup>2)</sup>	s [mm]
15	50.1	D1	2.0
25	69.2	D2	3.5
40	88.2	D2	5.3
50	106.6	D2	6.8
80	138.4	D1	10.1
100	176.5	D2	13.3
150	223.5	D1	20.0

- 1) The flow conditioner is fitted at the outer diameter between the bolts.  
2) The flow conditioner is fitted at the indentations between the bolts.

Used in combination with flanges according to ASME B16.5: Class 300 1.4404 (316, 316L) Order code for "Accessory enclosed", option PF			
DN [mm]	Centering diameter [mm]	D1 <sup>1)</sup> / D2 <sup>2)</sup>	s [mm]
15	56.5	D1	2.0
25	74.3	D1	3.5
40	97.7	D2	5.3
50	113.0	D1	6.8
80	151.3	D1	10.1
100	182.6	D1	13.3
150	252.0	D1	20.0

- 1) The flow conditioner is fitted at the outer diameter between the bolts.  
2) The flow conditioner is fitted at the indentations between the bolts.

Used in combination with flanges according to JIS B2220: 10K 1.4404 (316, 316L) Order code for "Accessory enclosed", option PF			
DN [mm]	Centering diameter [mm]	D1 <sup>1)</sup> / D2 <sup>2)</sup>	s [mm]
15	60.3	D2	2.0
25	76.3	D2	3.5
40	91.3	D2	5.3
50	106.6	D2	6.8
80	136.3	D2	10.1
100	161.3	D2	13.3
150	221.0	D2	20.0

- 1) The flow conditioner is fitted at the outer diameter between the bolts.  
2) The flow conditioner is fitted at the indentations between the bolts.

Used in combination with flanges according to JIS B2220: 20K  
 1.4404 (316, 316L)  
 Order code for "Accessory enclosed", option PF

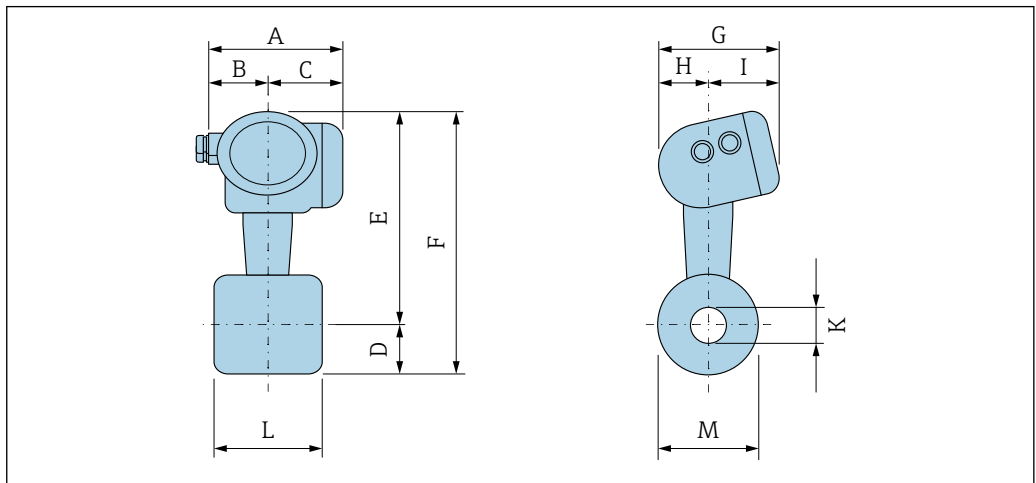
DN [mm]	Centering diameter [mm]	D1 <sup>1)</sup> / D2 <sup>2)</sup>	s [mm]
15	60.3	D2	2.0
25	76.3	D2	3.5
40	91.3	D2	5.3
50	106.6	D2	6.8
80	142.3	D1	10.1
100	167.3	D1	13.3
150	240.0	D1	20.0

- 1) The flow conditioner is fitted at the outer diameter between the bolts.
- 2) The flow conditioner is fitted at the indentations between the bolts.

**Dimensions in US units**

**Compact version**

Order code for "Housing", option B "GT18, two-chamber, 316L, compact"; option C "GT20, two-chamber, aluminum, coated, compact"



A0033795

Wafer flange according to:

- EN 1092-1-B1 (DIN 2501): PN 10/16/25/40
- ASME B16.5: Class 150/300, Schedule 40
- JIS B2220: 10/20K, Schedule 40

1.4404/F316/F316L

Order code for "Process connection", option DDS/DES/D1S/D2S/AAS/ABS/NDS/NES

DN	A <sup>1)</sup>	B	C <sup>1)</sup>	D	E <sup>2) 3)</sup>	F <sup>2) 3)</sup>	G	H	<sup>4)</sup>	K (D <sub>1</sub> )	L <sup>5)</sup>	M
[in]	[in]	[in]	[in]	[in]	[in]	[in]	[in]	[in]	[in]	[in]	[in]	[in]
½	5.52	2.04	3.48	0.92	9.94	10.9	6.3	2.29	4	0.65	2.56	1.77
1	5.52	2.04	3.48	1.28	10.3	11.6	6.3	2.29	4	1.09	2.56	2.52
1 ½	5.52	2.04	3.48	1.63	10.6	12.3	6.3	2.29	4	1.65	2.56	3.23
2	5.52	2.04	3.48	1.83	10.9	12.8	6.3	2.29	4	2.11	2.56	3.62
3	5.52	2.04	3.48	2.52	11.5	14	6.3	2.29	4	3.16	2.56	5

Wafer flange according to:

- EN 1092-1-B1 (DIN 2501): PN 10/16/25/40
- ASME B16.5: Class 150/300, Schedule 40
- JIS B2220: 10/20K, Schedule 40

1.4404/F316/F316L

Order code for "Process connection", option DDS/DES/D1S/D2S/AAS/ABS/NDS/NES

DN	A <sup>1)</sup>	B	C <sup>1)</sup>	D	E <sup>2) 3)</sup>	F <sup>2) 3)</sup>	G	H	<sup>4)</sup>	K (D <sub>i</sub> )	L <sup>5)</sup>	M
[in]	[in]	[in]	[in]	[in]	[in]	[in]	[in]	[in]	[in]	[in]	[in]	[in]
4	5.52	2.04	3.48	3.11	12	15.1	6.3	2.29	4	4.13	2.56	6.19
6	5.52	2.04	3.48	4.27	13	17.3	6.3	2.29	4	6.17	2.56	8.5

- 1) For version with overvoltage protection: values + 0.31 in
- 2) For version without local display: values - 0.39 in
- 3) For high-temperature/low-temperature version: values + 1.14 in
- 4) For version without local display: values - 0.28 in
- 5) ±0.02 in

Wafer flange according to:

- ASME B16.5: Class 150/300, Schedule 80
- JIS B2220: 10/20K, Schedule 80

1.4404/F316/F316L

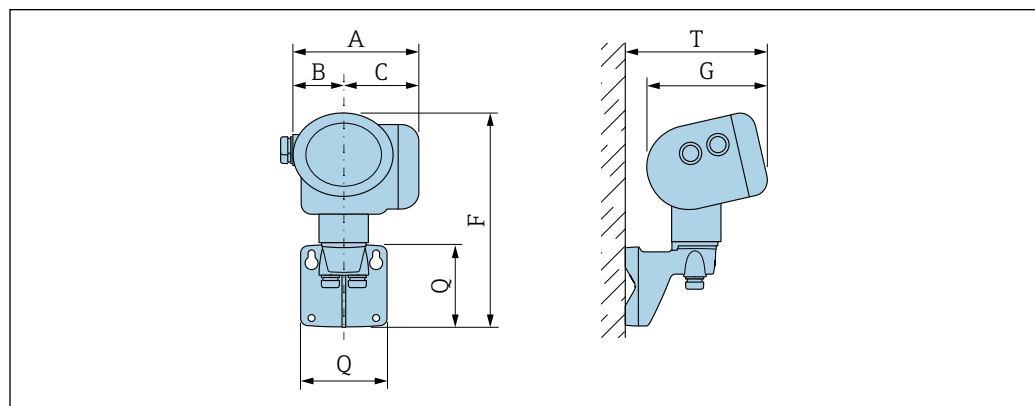
Order code for "Process connection", option AFS/AGS/NFS/NGS

DN	A <sup>1)</sup>	B	C	D	E <sup>2) 3)</sup>	F	G	H	<sup>4)</sup>	K (D <sub>i</sub> )	L <sup>5)</sup>	M
[in]	[in]	[in]	[in]	[in]	[in]	[in]	[in]	[in]	[in]	[in]	[in]	[in]
½	5.52	2.04	3.48	0.92	9.94	10.9	6.3	2.29	4	0.55	2.56	1.77
1	5.52	2.04	3.48	1.28	10.3	11.6	6.3	2.29	4	0.96	2.56	2.52
1 ½	5.52	2.04	3.48	1.63	10.6	12.3	6.3	2.29	4	1.5	2.56	3.23
2	5.52	2.04	3.48	1.83	10.9	12.8	6.3	2.29	4	1.94	2.56	3.62
3	5.52	2.04	3.48	2.52	11.5	14	6.3	2.29	4	2.9	2.56	5
4	5.52	2.04	3.48	3.11	12	15.1	6.3	2.29	4	3.83	2.56	6.19
6	5.52	2.04	3.48	4.27	13	17.3	6.3	2.29	4	5.76	2.56	8.5

- 1) For version with overvoltage protection: values + 0.31 in
- 2) For version without local display: values - 0.39 in
- 3) For high-temperature/low-temperature version: values + 1.14 in
- 4) For version without local display: values - 0.28 in
- 5) ±0.02 in

### Transmitter remote version

Order code for "Housing", option J "GT20 two-chamber, aluminum, coated, remote"; option K "GT18 two-chamber, 316L, remote"



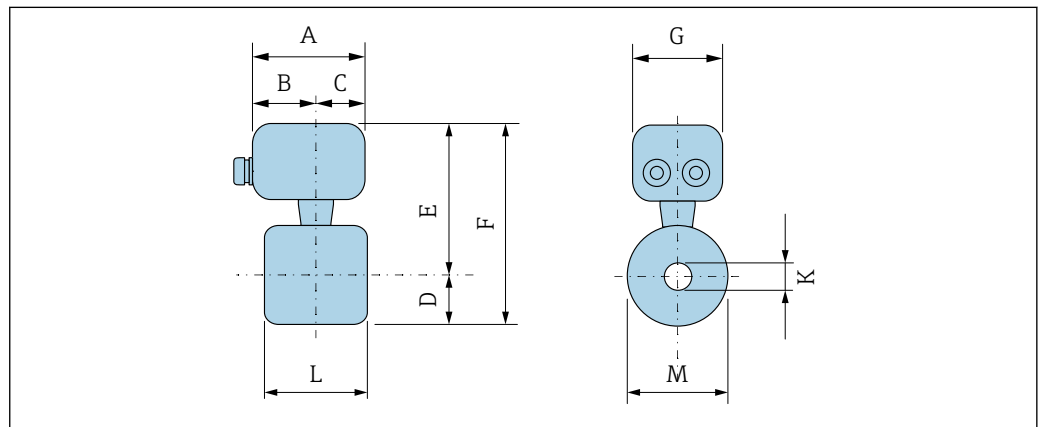
A0033796

A <sup>1)</sup> [in]	B [in]	C <sup>1)</sup> [in]	F <sup>2)</sup> [in]	G <sup>3)</sup> [in]	Q [in]	T <sup>3)</sup> [in]
5.52	2.04	3.48	10	6.3	4.21	7.52

- 1) For version with overvoltage protection: value + 0.31 in
- 2) For version without local display: value - 0.39 in
- 3) For version without local display: value - 0.28 in

**Sensor remote version**

Order code for "Housing", option J "GT20 two-chamber, aluminum, coated, remote"; option K "GT18 two-chamber, 316L, remote"



A0033798

**Wafer flange according to:**

- EN 1092-1-B1 (DIN 2501): PN 10/16/25/40
- ASME B16.5: Class 150/300, Schedule 40
- JIS B2220: 10/20K, Schedule 40

**1.4404/F316/F316L**  
 Order code for "Process connection", option DDS/DES/D1S/D2S/AAS/ABS/NDS/NES

DN [in]	A [in]	B [in]	C [in]	D [in]	E <sup>1)</sup> [in]	F <sup>1)</sup> [in]	G [in]	K (D <sub>i</sub> ) [in]	L <sup>2)</sup> [in]	M [in]
½	4.22	2.36	1.86	0.92	8.77	9.69	3.72	0.65	2.56	1.77
1	4.22	2.36	1.86	1.28	9.15	10.4	3.72	1.09	2.56	2.52
1 ½	4.22	2.36	1.86	1.63	9.48	11.1	3.72	1.65	2.56	3.23
2	4.22	2.36	1.86	1.83	9.76	11.6	3.72	2.11	2.56	3.62
3	4.22	2.36	1.86	2.52	10.3	12.8	3.72	3.16	2.56	5
4	4.22	2.36	1.86	3.11	10.8	13.9	3.72	4.13	2.56	6.19
6	4.22	2.36	1.86	4.27	11.8	16.1	3.72	6.17	2.56	8.5

- 1) For high-temperature/low-temperature version: values + 1.14 in
- 2) ±0.02 in

Wafer flange according to:

- ASME B16.5: Class 150/300, Schedule 80
- JIS B2220: 10/20K, Schedule 80

1.4404/F316/F316L

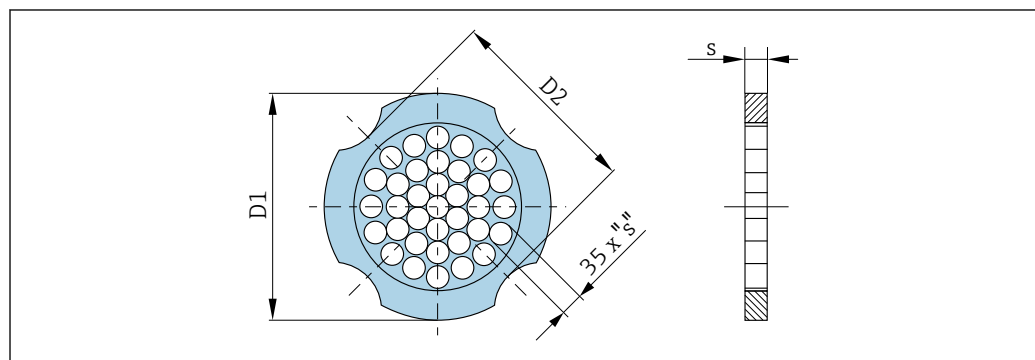
Order code for "Process connection", option AFS/AGS/NFS/NGS

DN [in]	A [in]	B [in]	C [in]	D [in]	E <sup>1)</sup> [in]	F [in]	G [in]	K (D <sub>i</sub> ) [in]	L <sup>2)</sup> [in]	M [in]
½	4.22	2.36	1.86	0.92	8.77	9.69	3.72	0.55	2.56	1.77
1	4.22	2.36	1.86	1.28	9.15	10.4	3.72	0.96	2.56	2.52
1 ½	4.22	2.36	1.86	1.63	9.48	11.1	3.72	1.5	2.56	3.23
2	4.22	2.36	1.86	1.83	9.76	11.6	3.72	1.94	2.56	3.62
3	4.22	2.36	1.86	2.52	10.3	12.8	3.72	2.9	2.56	5
4	4.22	2.36	1.86	3.11	10.8	13.9	3.72	3.83	2.56	6.19
6	4.22	2.36	1.86	4.27	11.8	16.1	3.72	5.76	2.56	8.5

- 1) For high-temperature/low-temperature version: values + 1.14 in  
 2) ±0.02 in

### Accessories

#### Flow conditioner



A0033504

Used in combination with flanges according to ASME B16.5: Class 150

1.4404 (316, 316L)

Order code for "Accessory enclosed", option PF

DN [in]	Centering diameter [in]	D1 <sup>1)</sup> / D2 <sup>2)</sup>	s [in]
½	1.97	D1	0.08
1	2.72	D2	0.14
1 ½	3.47	D2	0.21
2	4.09	D2	0.27
3	5.45	D1	0.40
4	6.95	D2	0.52
6	8.81	D1	0.79

- 1) The flow conditioner is fitted at the outer diameter between the bolts.  
 2) The flow conditioner is fitted at the indentations between the bolts.



Used in combination with flanges according to ASME B16.5: Class 300 1.4404 (316, 316L) Order code for "Accessory enclosed", option PF			
DN [in]	Centering diameter [in]	D1 <sup>1)</sup> / D2 <sup>2)</sup>	s [in]
½	2.22	D1	0.08
1	2.93	D1	0.14
1½	3.85	D2	0.21
2	4.45	D1	0.27
3	5.96	D1	0.40
4	7.19	D1	0.52
6	9.92	D1	0.79

- 1) The flow conditioner is fitted at the outer diameter between the bolts.  
2) The flow conditioner is fitted at the indentations between the bolts.

## Weight

### Compact version

Weight data:

- Including the transmitter:
  - Order code for "Housing", option C "GT20, two-chamber, aluminum, coated, compact"  
1.8 kg (4.0 lb):
  - Order code for "Housing", option B "GT18 two-chamber, 316L, compact" 4.5 kg (9.9 lb):
- Excluding packaging material

Weight in SI units

DN [mm]	Weight [kg]	
	Order code for "Housing", option C "GT20 two-chamber, aluminum, coated, compact" <sup>1)</sup>	Order code for "Housing", option B "GT18 two-chamber, 316L, compact" <sup>1)</sup>
15	3.1	5.8
25	3.3	6.0
40	3.9	6.6
50	4.2	6.9
80	5.6	8.3
100	6.6	9.3
150	9.1	11.8

- 1) For high-temperature/low-temperature version: values + 0.2 kg

Weight in US units

DN [in]	Weight [lbs]	
	Order code for "Housing", option C "GT20 two-chamber, aluminum, coated, compact" <sup>1)</sup>	Order code for "Housing", option B "GT18 two-chamber, 316L, compact" <sup>1)</sup>
½	6.9	12.9
1	7.4	13.3
1½	8.7	14.6
2	9.4	15.3
3	12.4	18.4

DN [in]	Weight [lbs]	
	Order code for "Housing", option C "GT20 two-chamber, aluminum, coated, compact" <sup>1)</sup>	Order code for "Housing", option B "GT18 two-chamber, 316L, compact" <sup>1)</sup>
4	14.6	20.6
6	20.2	26.1

1) For high-temperature/low-temperature version: values +0.4 lbs

### Transmitter remote version

#### Wall-mount housing

Dependent on the material of wall-mount housing:

- Order code for "Housing" option J "GT20 two-chamber, aluminum, coated, remote" 2.4 kg (5.2 lb):
- Order code for "Housing", option K "GT18 two-chamber, 316L, remote" 6.0 kg (13.2 lb):

### Sensor remote version

Weight data:

- Including sensor connection housing:
  - Order code for "Housing" option J "GT20 two-chamber, aluminum, coated, remote" 0.8 kg (1.8 lb):
  - Order code for "Housing", option K "GT18 two-chamber, 316L, remote" 2.0 kg (4.4 lb):
- Excluding the connecting cable
- Excluding packaging material

#### Weight in SI units

DN [mm]	Weight [kg]	
	sensor connection housing Order code for "Housing", option J "GT20 two-chamber, aluminum, coated, remote" <sup>1)</sup>	sensor connection housing Order code for "Housing", option K "GT18 two-chamber, 316L, remote" <sup>1)</sup>
15	2.1	3.3
25	2.3	3.5
40	2.9	4.1
50	3.2	4.4
80	4.6	5.8
100	5.6	6.8
150	8.1	9.3

1) For high-temperature/low-temperature version: values + 0.2 kg

#### Weight in US units

DN [in]	Weight [lbs]	
	sensor connection housing Order code for "Housing", option J "GT20 two-chamber, aluminum, coated, remote" <sup>1)</sup>	sensor connection housing Order code for "Housing", option K "GT18 two-chamber, 316L, remote" <sup>1)</sup>
½	4.5	7.3
1	5.0	7.8
1½	6.3	9.1
2	7.0	9.7
3	10.0	12.8

DN [in]	Weight [lbs]	
	sensor connection housing Order code for "Housing", option J "GT20 two-chamber, aluminum, coated, remote" <sup>1)</sup>	sensor connection housing Order code for "Housing", option K "GT18 two-chamber, 316L, remote" <sup>1)</sup>
4	12.3	15.0
6	17.3	20.5

1) For high-temperature/low-temperature version: values +0.4 lbs

### Accessories

*Flow conditioner*

*Weight in SI units*

DN <sup>1)</sup> [mm]	Pressure rating	Weight [kg]
15	PN 10 to 40	0.04
25	PN 10 to 40	0.1
40	PN 10 to 40	0.3
50	PN 10 to 40	0.5
80	PN 10 to 40	1.4
100	PN10 to 40	2.4
150	PN 10/16 PN 25/40	6.3 7.8

1) EN (DIN)

DN <sup>1)</sup> [mm]	Pressure rating	Weight [kg]
15	Class 150 Class 300	0.03 0.04
25	Class 150 Class 300	0.1
40	Class 150 Class 300	0.3
50	Class 150 Class 300	0.5
80	Class 150 Class 300	1.2 1.4
100	Class 150 Class 300	2.7
150	Class 150 Class 300	6.3 7.8

1) ASME

DN <sup>1)</sup> [mm]	Pressure rating	Weight [kg]
15	20K	0.06
25	20K	0.1
40	20K	0.3

DN <sup>1)</sup> [mm]	Pressure rating	Weight [kg]
50	10K 20K	0.5
80	10K 20K	1.1
100	10K 20K	1.80
150	10K 20K	4.5 5.5

1) JIS

*Weight in US units*

DN <sup>1)</sup> [in]	Pressure rating	Weight [lbs]
½	Class 150 Class 300	0.07 0.09
1	Class 150 Class 300	0.3
1½	Class 150 Class 300	0.7
2	Class 150 Class 300	1.1
3	Class 150 Class 300	2.6 3.1
4	Class 150 Class 300	6.0
6	Class 150 Class 300	14.0 16.0

1) ASME

## Materials

### Transmitter housing

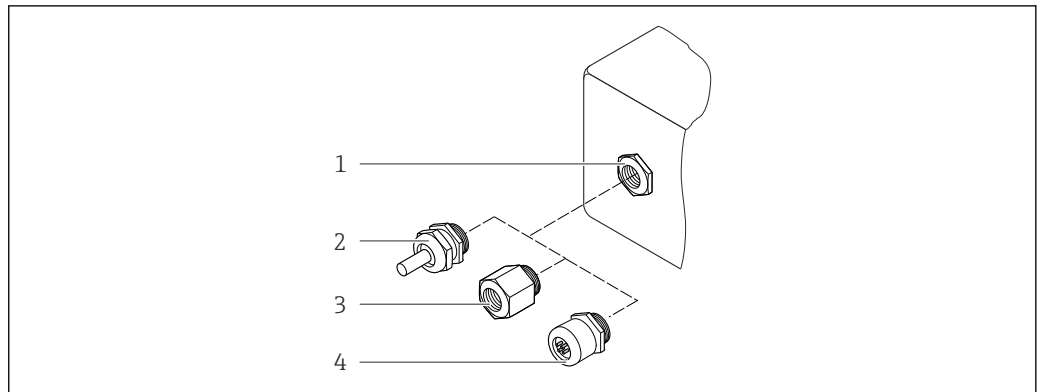
*Compact version*

- Order code for "Housing", option B "GT18 two-chamber, 316L, compact":  
Stainless steel, CF3M
- Order code for "Housing", option C "GT20, two-chamber, aluminum, coated, compact":  
Aluminum, AlSi10Mg, coated
- Window material: glass

*Remote version*

- Order code for "Housing" option J "GT20 two-chamber, aluminum, coated, remote":  
Aluminum, AlSi10Mg, coated
- Order code for "Housing", option K "GT18 two-chamber, 316L, remote":  
For maximum corrosion resistance: Stainless steel, CF3M
- Window material: glass

**Cable entries/cable glands**



A0028352

**20 Possible cable entries/cable glands**

- 1 Female thread M20 × 1.5
- 2 Cable gland M20 × 1.5
- 3 Adapter for cable entry with internal thread G ½" or NPT ½"
- 4 Device plug connectors

Order code for "Housing", option B "GT18 two-chamber, 316L, compact" option K "GT18 two-chamber, 316L, remote"

Cable entry/cable gland	Type of protection	Material
Cable gland M20 × 1.5	<ul style="list-style-type: none"> <li>■ Non-hazardous area</li> <li>■ Ex ia</li> <li>■ Ex ic</li> <li>■ Ex nA, Ex ec</li> <li>■ Ex tb</li> </ul>	Stainless steel ,1.4404
Adapter for cable entry with internal thread G ½"	Non-hazardous area and hazardous area (except for XP)	Stainless steel, 1.4404 (316L)
Adapter for cable entry with internal thread NPT ½"	Non-hazardous area and hazardous area	

Order code for "Housing": option C "GT20 two-chamber, aluminum, coated, compact", option J "GT20, two-chamber, aluminum, coated remote"

Cable entry/cable gland	Type of protection	Material
Cable gland M20 × 1.5	<ul style="list-style-type: none"> <li>■ Non-hazardous area</li> <li>■ Ex ia</li> <li>■ Ex ic</li> </ul>	Plastic
	Adapter for cable entry with internal thread G ½"	Nickel-plated brass
Adapter for cable entry with internal thread NPT ½"	Non-hazardous area and hazardous area (except for XP)	Nickel-plated brass
Thread NPT ½" via adapter	Non-hazardous area and hazardous area	

**Connecting cable for remote version**

- Standard cable: PVC cable with copper shield
- Reinforced cable: PVC cable with copper shield and additional steel wire braided jacket

**Sensor connection housing**

The material of the sensor connection housing is dependent on the material selected for the transmitter housing.

- Order code for "Housing" option J "GT20 two-chamber, aluminum, coated, remote":  
Coated aluminum AlSi10Mg
- Order code for "Housing", option K "GT18 two-chamber, 316L, remote":  
Stainless cast steel, 1.4408 (CF3M)  
Compliant with:
  - NACE MR0175
  - NACE MR0103

**Measuring tubes**

**DN 15 to 150 (½ to 6"), pressure ratings PN 10/16/25/40, Class 150/300 , as well as JIS 10K/20K:**

Stainless cast steel, CF3M/1.4408

Compliant with:

- NACE MR0175
- NACE MR0103

**DSC sensor**

Order code for "Sensor version; DSC sensor; measuring tube", option **AA, BA, CA**

**Pressure ratings PN 10/16/25/40, Class 150/300, as well as JIS 10K/20K:**

Parts in contact with medium (marked as "wet" on the DSC sensor flange):

- Stainless steel 1.4404 and 316 and 316L
- Compliant with:
  - NACE MR0175/ISO 15156-2015
  - NACE MR0103/ISO 17945-2015

Parts not in contact with medium:

Stainless steel 1.4301 (304)

**Seals**

- Graphite (standard)  
Sigraflex foil™ (BAM-tested for oxygen applications, "high-grade in the context of TA-Luft Clean Air Guidelines")
- FPM (Viton™)
- Kalrez 6375™
- Gylon 3504™ (BAM-tested for oxygen applications, "high-grade in the context of TA-Luft clean air guidelines")

**Housing support**

Stainless steel, 1.4408 (CF3M)

**Screws for DSC sensor**

Order code for "Sensor version", option **AA, BA, CA**

Stainless steel, A2-80 according to ISO 3506-1 (304)

**Accessories***Protective cover*

Stainless steel, 1.4404 (316L)

*Flow conditioner*

- Stainless steel, multiple certifications, 1.4404 (316, 316L)
- Compliant with:
  - NACE MR0175-2003
  - NACE MR0103-2003

## Operability

### Operating concept

#### Operator-oriented menu structure for user-specific tasks

- Commissioning
- Operation
- Diagnostics
- Expert level

#### Quick and safe commissioning

- Guided menus ("Make-it-run" wizards) for applications
- Menu guidance with brief explanations of the individual parameter functions

#### Reliable operation

- Operation in the following languages:
  - Via local display: English, German, French, Spanish, Italian, Dutch, Portuguese, Polish, Russian, Swedish, Turkish, Chinese, Japanese, Korean, Bahasa (Indonesian), Vietnamese, Czech
  - Via "FieldCare" operating tool: English, German, French, Spanish, Italian, Chinese, Japanese
- Uniform operating philosophy applied to device and operating tools
- If replacing the electronic module, transfer the device configuration via the integrated memory (integrated HistoROM) which contains the process and measuring device data and the event logbook. No need to reconfigure.

#### Efficient diagnostics increase measurement availability

- Troubleshooting measures can be called up via the device and in the operating tools
- Diverse simulation options, logbook for events that occur and optional line recorder functions

### Languages

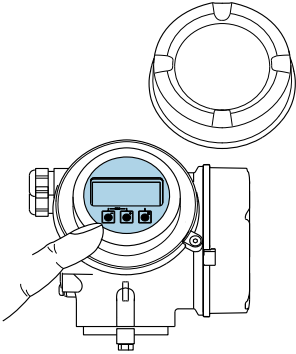
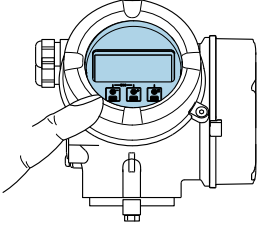
Can be operated in the following languages:

- Via local display: English, German, French, Spanish, Italian, Dutch, Portuguese, Polish, Russian, Swedish, Turkish, Chinese, Japanese, Korean, Bahasa (Indonesian), Vietnamese, Czech
- Via "FieldCare" operating tool: English, German, French, Spanish, Italian, Chinese, Japanese

### Local operation

#### Via display module

Two display modules are available:

Order code for "Display; Operation", option C "SD02"	Order code for "Display; Operation", option E "SD03"
 <p style="text-align: right; font-size: small;">A0032219</p>	 <p style="text-align: right; font-size: small;">A0032221</p>
1 Operation with pushbuttons	1 Operation with touch control

#### Display elements

- 4-line, illuminated, graphic display
- White background lighting; switches to red in event of device errors
- Format for displaying measured variables and status variables can be individually configured
- Permitted ambient temperature for the display: -20 to +60 °C (-4 to +140 °F)  
The readability of the display may be impaired at temperatures outside the temperature range.



*Operating elements*

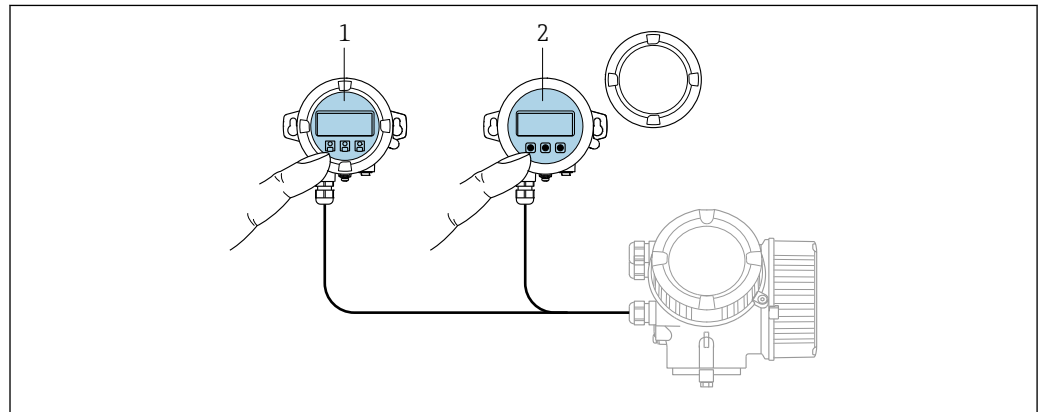
- Operation with 3 push buttons with open housing: ⊕, ⊖, ⊞
- or
- External operation via touch control (3 optical keys) without opening the housing: ⊕, ⊖, ⊞
- Operating elements also accessible in the various zones of the hazardous area

*Additional functionality*


- Data backup function  
The device configuration can be saved in the display module.
- Data comparison function  
The device configuration saved in the display module can be compared to the current device configuration.
- Data transfer function  
The transmitter configuration can be transmitted to another device using the display module.

**Via remote display FHX50**

 The remote display FHX50 can be ordered as an optional extra →  72.



A0032215

 21 *FHX50 operating options*

- 1 SD02 display and operating module, push buttons: cover must be opened for operation
- 2 SD03 display and operating module, optical buttons: operation possible through cover glass

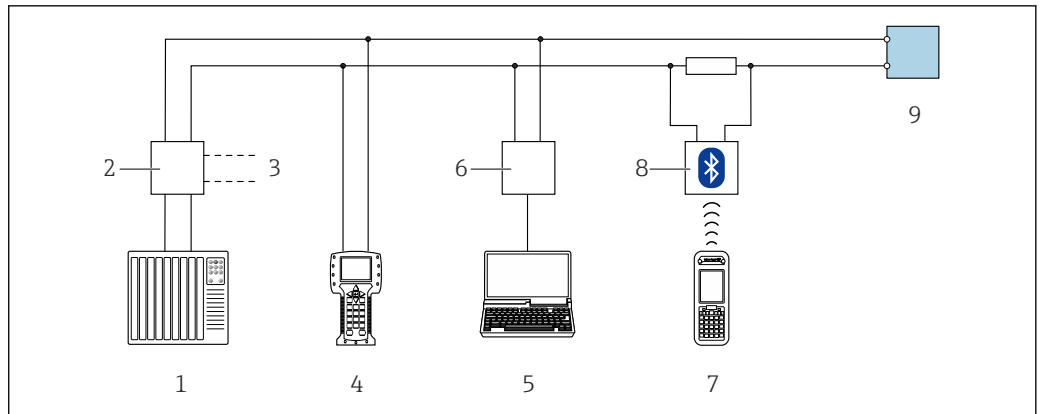
*Display and operating elements*

The display and operating elements correspond to those of the display module .

**Remote operation****Via HART protocol**

This communication interface is available in device versions with a HART output.





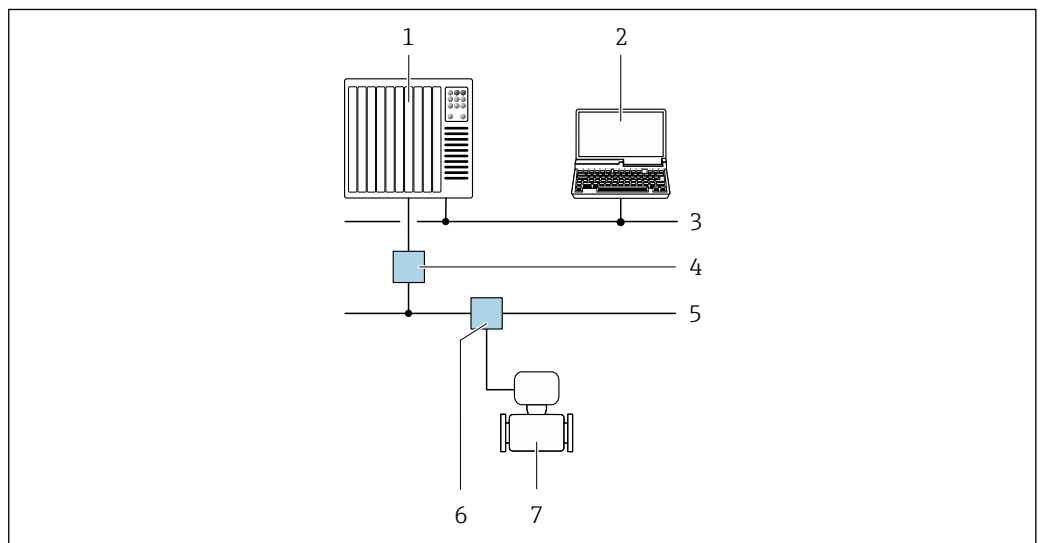
A0028746

22 Options for remote operation via HART protocol (passive)

- 1 Control system (e.g. PLC)
- 2 Transmitter power supply unit, e.g. RN221N (with communication resistor)
- 3 Connection for Commubox FXA195 and Field Communicator 475
- 4 Field Communicator 475
- 5 Computer with web browser (e.g. Internet Explorer) for accessing computers with operating tool (e.g. FieldCare, DeviceCare, AMS Device Manager, SIMATIC PDM) with COM DTM "CDI Communication TCP/IP"
- 6 Commubox FXA195 (USB)
- 7 Field Xpert SFX350 or SFX370
- 8 VIATOR Bluetooth modem with connecting cable
- 9 Transmitter

### Via PROFIBUS PA network

This communication interface is available in device versions with PROFIBUS PA.



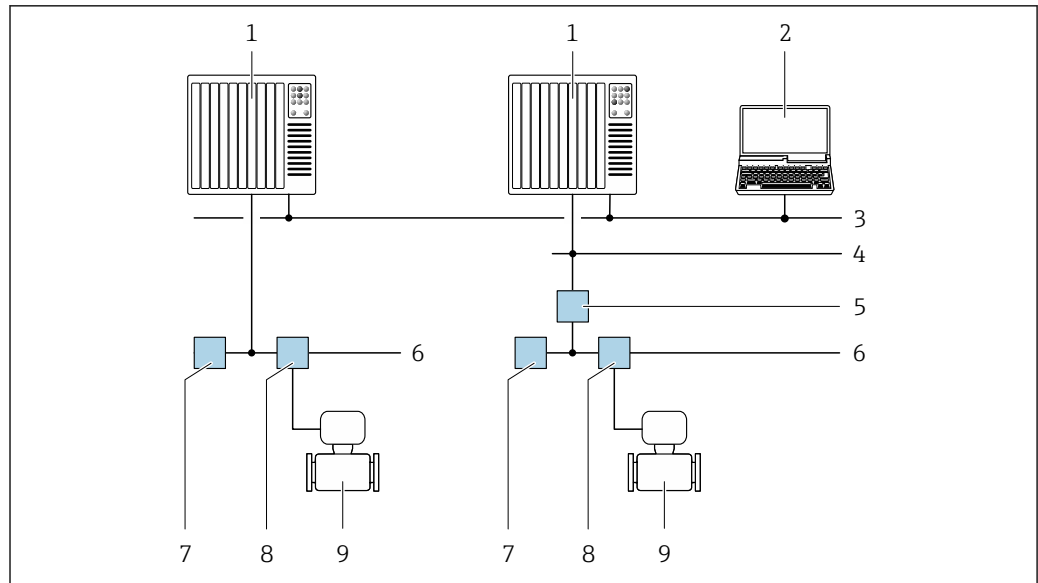
A0028838

23 Options for remote operation via PROFIBUS PA network

- 1 Automation system
- 2 Computer with PROFIBUS network card
- 3 PROFIBUS DP network
- 4 Segment coupler PROFIBUS DP/PA
- 5 PROFIBUS PA network
- 6 T-box
- 7 Measuring device

### Via FOUNDATION Fieldbus network

This communication interface is available in device versions with FOUNDATION Fieldbus.



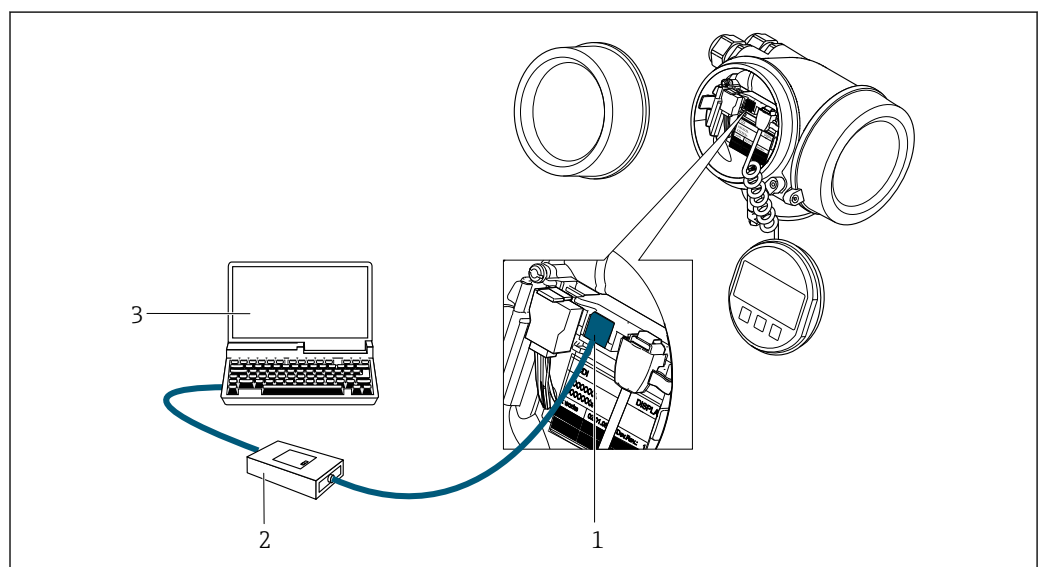
A0028837

24 Options for remote operation via FOUNDATION Fieldbus network

- 1 Automation system
- 2 Computer with FOUNDATION Fieldbus network card
- 3 Industry network
- 4 High Speed Ethernet FF-HSE network
- 5 Segment coupler FF-HSE/FF-H1
- 6 FOUNDATION Fieldbus FF-H1 network
- 7 Power supply FF-H1 network
- 8 T-box
- 9 Measuring device

Service interface

Via service interface (CDI)



A0034056

- 1 Service interface (CDI = Endress+Hauser Common Data Interface) of the measuring device
- 2 Commubox FXA291
- 3 Computer with FieldCare operating tool with COM DTM CDI Communication FXA291

## Certificates and approvals

### CE mark

The measuring system is in conformity with the statutory requirements of the applicable EU Directives. These are listed in the corresponding EU Declaration of Conformity along with the standards applied.

Endress+Hauser confirms successful testing of the device by affixing to it the CE mark.

### C-Tick symbol

The measuring system meets the EMC requirements of the "Australian Communications and Media Authority (ACMA)".

### Ex approval

The measuring device is certified for use in hazardous areas and the relevant safety instructions are provided in the separate "Safety Instructions" (XA) document. Reference is made to this document on the nameplate.



The separate Ex documentation (XA) containing all the relevant explosion protection data is available from your Endress+Hauser sales center.

#### ATEX, IECEx

Currently, the following versions for use in hazardous areas are available:

##### Ex d

Category	Type of protection
II2G/Zone 1	Ex d[ia] IIC T6 ... T1
II1/2G/Zone 0/1	Ex d[ia] IIC T6 ... T1

##### Ex ia

Category	Type of protection
II2G/Zone 1	Ex ia IIC T6 ... T1
II1G/Zone 0	Ex ia IIC T6 ... T1
II1/2G/Zone 0/1	Ex ia IIC T6 ... T1

##### Ex ic

Category	Type of protection
II3G/Zone 2	Ex ic IIC T6 ... T1
II1/3G/Zone 0/2	Ex ic[ia] IIC T6 ... T1

##### Ex Ec

Category	Type of protection
II3G/Zone 2	Ex ec IIC T6 ... T1

##### Ex tb

Category	Type of protection
II2D/Zone 2 1	Ex tb IIIC Txxx

#### cCSAus

Currently, the following versions for use in hazardous areas are available:

*XP*

Category	Type of protection
Class I, II, III, Division 1 for Group A-G	XP (Ex d Flameproof version)

*IS*

Category	Type of protection
Class I, II, III, Division 1 for Group A-G	IS (Ex i Intrinsically safe version)

*NI*

Category	Type of protection
Class I, Division 2 for Group ABCD	NI (Non-incendive version), NIFW-Parameter*

\*= Entity and NIFW parameters according to control drawings

**NEPSI**

Currently, the following versions for use in hazardous areas are available:

*Ex d*

Category	Type of protection
Zone 1	Ex d ia  IIC T1 ~ T6 Ex d ia Ga  IIC T1 ~ T6
Zone 0/1	Ex d ia  IIC T1 ~ T6 DIP A21 Ex d ia Ga  IIC T1 ~ T6 DIP A21

*Ex ia*

Category	Type of protection
Zone 1	Ex ia IIC T1 ~ T6
Zone 0/1	Ex ia IIC T1 ~ T6 DIP A21

*Ex ic*

Category	Type of protection
II3G/Zone 2	Ex ic IIC T1 ~ T6
II1/3G/Zone 0/2	Ex ic ia Ga  IIC T1 ~ T6

*Ex nA*

Category	Type of protection
Zone 2	Ex nA IIC T1 ~ T6 Ex nA ia Ga  IIC T1 ~ T6

**INMETRO**

Currently, the following versions for use in hazardous areas are available:

*Ex d*

Category	Type of protection
-	Ex d ia  IIC T6 ... T1

*Ex ia*

Category	Type of protection
-	Ex ia IIC T6 ... T1

*Ex nA*

Category	Type of protection
IIBG/Zone 2	Ex nA IIC T6 ... T1

**EAC**

*Ex d*

Category	Type of protection
Zone 1	1Ex d [ia Ga] IIC T6 ... T1 Gb
	Ga/Gb Ex d [ia Ga] IIC T6 ... T1



*Ex nA*

Category	Type of protection
Zone 2	2Ex nA [ia Ga] IIC T6 ... T1 Gc

**Functional safety**

The measuring device can be used for flow monitoring systems (min., max., range) up to SIL 2 (single-channel architecture; order code for "Additional approval", option **LA**) and SIL 3 (multichannel architecture with homogeneous redundancy) and is independently evaluated and certified by the TÜV in accordance with IEC 61508.

The following types of monitoring in safety equipment are possible:  
Volume flow

 Functional Safety Manual with information on the SIL device →  76

**HART certification**

**HART interface**

The measuring device is certified and registered by the FieldComm Group. The measuring system meets all the requirements of the following specifications:

- Certified according to HART
- The device can also be operated with certified devices of other manufacturers (interoperability)

**FOUNDATION Fieldbus certification**

**FOUNDATION Fieldbus interface**

The measuring device is certified and registered by the FieldComm Group. The measuring system meets all the requirements of the following specifications:

- Certified in accordance with FOUNDATION Fieldbus H1
- Interoperability Test Kit (ITK), revision version 6.2.0 (certificate available on request)
- Physical Layer Conformance Test
- The device can also be operated with certified devices of other manufacturers (interoperability)

**Certification PROFIBUS**

**PROFIBUS interface**

The measuring device is certified and registered by the PNO (PROFIBUS User Organization Organization). The measuring system meets all the requirements of the following specifications:

- Certified in accordance with PROFIBUS PA Profile 3.02
- The device can also be operated with certified devices of other manufacturers (interoperability)

**Pressure Equipment Directive**

The devices can be ordered with or without a PED approval. If a device with a PED approval is required, this must be explicitly stated in the order.

- With the identification PED/G1/x (x = category) on the sensor nameplate, Endress+Hauser confirms conformity with the "Essential Safety Requirements" specified in Appendix I of the Pressure Equipment Directive 2014/68/EC.
- Devices bearing this marking (PED) are suitable for the following types of medium: Media in Group 1 and 2 with a vapor pressure greater than, or smaller and equal to 0.5 bar (7.3 psi)
- Devices not bearing this marking (PED) are designed and manufactured according to good engineering practice. They meet the requirements of Art. 4, Par. 3 of the Pressure Equipment Directive 2014/68/EU. The range of application is indicated in tables 6 to 9 in Annex II of the Pressure Equipment Directive 2014/68/EC.

---

#### Experience

The Prowirl 200 measuring system is the official successor to Prowirl 72 and Prowirl 73.

---

#### Other standards and guidelines

- EN 60529  
Degrees of protection provided by enclosures (IP code)
- DIN ISO 13359  
Measurement of conductive liquid flow in closed conduits - Flanged-type electromagnetic flowmeters - Overall length
- EN 61010-1  
Safety requirements for electrical equipment for measurement, control and laboratory use - general requirements
- IEC/EN 61326  
Emission in accordance with Class A requirements. Electromagnetic compatibility (EMC requirements).
- NAMUR NE 21  
Electromagnetic compatibility (EMC) of industrial process and laboratory control equipment
- NAMUR NE 32  
Data retention in the event of a power failure in field and control instruments with microprocessors
- NAMUR NE 43  
Standardization of the signal level for the breakdown information of digital transmitters with analog output signal.
- NAMUR NE 53  
Software of field devices and signal-processing devices with digital electronics
- NAMUR NE 105  
Specifications for integrating fieldbus devices in engineering tools for field devices
- NAMUR NE 107  
Self-monitoring and diagnosis of field devices
- NAMUR NE 131  
Requirements for field devices for standard applications

## Ordering information

Detailed ordering information is available as follows:

- In the Product Configurator on the Endress+Hauser website: [www.endress.com](http://www.endress.com) -> Click "Corporate" -> Select your country -> Click "Products" -> Select the product using the filters and search field -> Open product page -> The "Configure" button to the right of the product image opens the Product Configurator.
- From your Endress+Hauser Sales Center: [www.addresses.endress.com](http://www.addresses.endress.com)



#### Product Configurator - the tool for individual product configuration

- Up-to-the-minute configuration data
  - Depending on the device: Direct input of measuring point-specific information such as measuring range or operating language
  - Automatic verification of exclusion criteria
  - Automatic creation of the order code and its breakdown in PDF or Excel output format
  - Ability to order directly in the Endress+Hauser Online Shop

**Product generation index**

Release date	Product root	On change
01.09.2013	7D2B	TI01083D
01.11.2017	7D2C	TI01332D



More information is available from your Sales Center or at:

[www.service.endress.com](http://www.service.endress.com) → Downloads

## Application packages

Many different application packages are available to enhance the functionality of the device. Such packages might be needed to address safety aspects or specific application requirements.

The application packages can be ordered with the device or subsequently from Endress+Hauser. Detailed information on the order code in question is available from your local Endress+Hauser sales center or on the product page of the Endress+Hauser website: [www.endress.com](http://www.endress.com).



Detailed information on the application packages:  
Special Documentation for the device

**Diagnostics functions**

Package	Description
Extended HistoROM	<p>Comprises extended functions concerning the event log and the activation of the measured value memory.</p> <p>Event log: Memory volume is extended from 20 message entries (standard version) to up to 100 entries.</p> <p>Data logging (line recorder):</p> <ul style="list-style-type: none"> <li>▪ Memory capacity for up to 1000 measured values is activated.</li> <li>▪ 250 measured values can be output via each of the 4 memory channels. The recording interval can be defined and configured by the user.</li> <li>▪ Measured value logs can be accessed via the local display or operating tool e.g. FieldCare, DeviceCare or Web server.</li> </ul>

**Heartbeat Technology**





Package	Description
Heartbeat Verification	<p><b>Heartbeat Verification</b></p> <p>Meets the requirement for traceable verification to DIN ISO 9001:2008 Chapter 7.6 a) "Control of monitoring and measuring equipment".</p> <ul style="list-style-type: none"> <li>▪ Functional testing in the installed state without interrupting the process.</li> <li>▪ Traceable verification results on request, including a report.</li> <li>▪ Simple testing process via local operation or other operating interfaces.</li> <li>▪ Clear measuring point assessment (pass/fail) with high test coverage within the framework of manufacturer specifications.</li> <li>▪ Extension of calibration intervals according to operator's risk assessment.</li> </ul>

## Accessories



Various accessories, which can be ordered with the device or subsequently from Endress+Hauser, are available for the device. Detailed information on the order code in question is available from your local Endress+Hauser sales center or on the product page of the Endress+Hauser website: [www.endress.com](http://www.endress.com).

## Device-specific accessories


## For the transmitter

Accessories	Description
Prowirl 200 transmitter	<p>Transmitter for replacement or storage. Use the order code to define the following specifications:</p> <ul style="list-style-type: none"> <li>■ Approvals</li> <li>■ Output, Input</li> <li>■ Display/operation</li> <li>■ Housing</li> <li>■ Software</li> </ul> <p> Installation Instructions EA01056D</p> <p>(Order number: 7X2CXX)</p>
Remote display FHX50	<p>FHX50 housing for accommodating a display module .</p> <ul style="list-style-type: none"> <li>■ FHX50 housing suitable for: <ul style="list-style-type: none"> <li>– SD02 display module (push buttons)</li> <li>– SD03 display module (touch control)</li> </ul> </li> <li>■ Length of connecting cable: up to max. 60 m (196 ft) (cable lengths available for order: 5 m (16 ft), 10 m (32 ft), 20 m (65 ft), 30 m (98 ft))</li> </ul> <p>The measuring device can be ordered with the FHX50 housing and a display module. The following options must be selected in the separate order codes:</p> <ul style="list-style-type: none"> <li>■ Order code for measuring device, feature 030: Option L or M "Prepared for FHX50 display"</li> <li>■ Order code for FHX50 housing, feature 050 (device version): Option A "Prepared for FHX50 display"</li> <li>■ Order code for FHX50 housing, depends on the desired display module in feature 020 (display, operation): <ul style="list-style-type: none"> <li>– Option C: for an SD02 display module (push buttons)</li> <li>– Option E: for an SD03 display module (touch control)</li> </ul> </li> </ul> <p>The FHX50 housing can also be ordered as a retrofit kit. The measuring device display module is used in the FHX50 housing. The following options must be selected in the order code for the FHX50 housing:</p> <ul style="list-style-type: none"> <li>■ Feature 050 (measuring device version): option B "Not prepared for FHX50 display"</li> <li>■ Feature 020 (display, operation): option A "None, existing displayed used"</li> </ul> <p> Special Documentation SD01007F</p> <p>(Order number: FHX50)</p>
Overvoltage protection for 2-wire devices	<p>Ideally, the overvoltage protection module should be ordered directly with the device. See product structure, characteristic 610 "Accessory mounted", option NA "Overvoltage protection". Separate order necessary only if retrofitting.</p> <ul style="list-style-type: none"> <li>■ OVP10: For 1-channel devices (characteristic 020, option A):</li> <li>■ OVP20: For 2-channel devices (characteristic 020, options B, C, E or G)</li> </ul> <p> Special Documentation SD01090F</p> <p>(Order number OVP10: 71128617) (Order number OVP20: 71128619)</p>
Protective cover	<p>Is used to protect the measuring device from the effects of the weather: e.g. rainwater, excess heating from direct sunlight or extreme cold in winter.</p> <p> Special Documentation SD00333F</p> <p>(Order number: 71162242)</p>











Accessories	Description
Connecting cable for remote version	<ul style="list-style-type: none"> <li>▪ Connecting cable available in various lengths:                             <ul style="list-style-type: none"> <li>- 5 m (16 ft)</li> <li>- 10 m (32 ft)</li> <li>- 20 m (65 ft)</li> <li>- 30 m (98 ft)</li> </ul> </li> <li>▪ Reinforced cables available on request.</li> </ul> <p> Standard length: 5 m (16 ft) Is always supplied if no other cable length has been ordered.</p>
Post mounting kit	<p>Post mounting kit for transmitter.</p> <p> The post mounting kit can only be ordered together with a transmitter.</p> <p>(Order number: DK8WM-B)</p>

**For the sensor**



Accessories	Description
Mounting kit	<p>Mounting set for disc (wafer version) comprising:</p> <ul style="list-style-type: none"> <li>▪ Tie rods</li> <li>▪ Seals</li> <li>▪ Nuts</li> <li>▪ Washers</li> </ul> <p> Installation Instructions EA00075D</p> <p>(Order number: DK7D)</p>
Flow conditioner	<p>Is used to shorten the necessary inlet run.</p> <p>(Order number: DK7ST)</p>

**Communication-specific accessories**




Accessories	Description
Commubox FXA195 HART	<p>For intrinsically safe HART communication with FieldCare via the USB interface.</p> <p> Technical Information TI00404F</p>
Commubox FXA291	<p>Connects Endress+Hauser field devices with a CDI interface (= Endress+Hauser Common Data Interface) and the USB port of a computer or laptop.</p> <p> Technical Information TI405C/07</p>
HART Loop Converter HMX50	<p>Is used to evaluate and convert dynamic HART process variables to analog current signals or limit values.</p> <p> <ul style="list-style-type: none"> <li>▪ Technical Information TI00429F</li> <li>▪ Operating Instructions BA00371F</li> </ul> </p>
Wireless HART adapter SWA70	<p>Is used for the wireless connection of field devices. The WirelessHART adapter can be easily integrated into field devices and existing infrastructures, offers data protection and transmission safety and can be operated in parallel with other wireless networks with minimum cabling complexity.</p> <p> Operating Instructions BA00061S</p>
Fieldgate FXA320	<p>Gateway for the remote monitoring of connected 4-20 mA measuring devices via a Web browser.</p> <p> Technical Information TI00025S Operating Instructions BA00053S</p>
Fieldgate FXA520	<p>Gateway for the remote diagnostics and remote configuration of connected HART measuring devices via a Web browser.</p> <p> Technical Information TI00025S Operating Instructions BA00051S</p>

Field Xpert SFX350	Field Xpert SFX350 is a mobile computer for commissioning and maintenance. It enables efficient device configuration and diagnostics for HART and FOUNDATION Fieldbus devices and can be used in non-hazardous areas.  Operating Instructions BA01202S
Field Xpert SFX370	Field Xpert SFX370 is a mobile computer for commissioning and maintenance. It enables efficient device configuration and diagnostics for HART and FOUNDATION Fieldbus devices and can be used in the non-hazardous area and in the hazardous area.  Operating Instructions BA01202S

## Service-specific accessories

Accessories	Description
Applicator	Software for selecting and sizing Endress+Hauser measuring devices: <ul style="list-style-type: none"> <li>Choice of measuring devices for industrial requirements</li> <li>Calculation of all the necessary data for identifying the optimum flowmeter: e.g. nominal diameter, pressure loss, flow velocity and accuracy.</li> <li>Graphic illustration of the calculation results</li> <li>Determination of the partial order code, administration, documentation and access to all project-related data and parameters over the entire life cycle of a project.</li> </ul> Applicator is available: <ul style="list-style-type: none"> <li>Via the Internet: <a href="https://portal.endress.com/webapp/applicator">https://portal.endress.com/webapp/applicator</a></li> <li>As a downloadable DVD for local PC installation.</li> </ul>
W@M	W@M Life Cycle Management Improved productivity with information at your fingertips. Data relevant to a plant and its components is generated from the first stages of planning and during the asset's complete life cycle. W@M Life Cycle Management is an open and flexible information platform with online and on-site tools. Instant access for your staff to current, in-depth data shortens your plant's engineering time, speeds up procurement processes and increases plant uptime. Combined with the right services, W@M Life Cycle Management boosts productivity in every phase. For more information, visit <a href="http://www.endress.com/lifecyclemanagement">www.endress.com/lifecyclemanagement</a>
FieldCare	FDT-based plant asset management tool from Endress+Hauser. It can configure all smart field units in your system and helps you manage them. By using the status information, it is also a simple but effective way of checking their status and condition.  Operating Instructions BA00027S and BA00059S
DeviceCare	Tool to connect and configure Endress+Hauser field devices.  Innovation brochure IN01047S

## System components

Accessories	Description
Memograph M graphic data manager	The Memograph M graphic data manager provides information on all the relevant measured variables. Measured values are recorded correctly, limit values are monitored and measuring points analyzed. The data are stored in the 256 MB internal memory and also on a SD card or USB stick.  <ul style="list-style-type: none"> <li>Technical Information TI00133R</li> <li>Operating Instructions BA00247R</li> </ul>
RN221N	Active barrier with power supply for safe separation of 4-20 mA standard signal circuits. Offers bidirectional HART transmission.  <ul style="list-style-type: none"> <li>Technical Information TI00073R</li> <li>Operating Instructions BA00202R</li> </ul>
RNS221	Supply unit for powering two 2-wire measuring devices solely in the non-hazardous area. Bidirectional communication is possible via the HART communication jacks.  <ul style="list-style-type: none"> <li>Technical Information TI00081R</li> <li>Brief Operating Instructions KA00110R</li> </ul>

## Supplementary documentation



For an overview of the scope of the associated Technical Documentation, refer to the following:

- The *W@M Device Viewer* : Enter the serial number from the nameplate ([www.endress.com/deviceviewer](http://www.endress.com/deviceviewer))
- The *Endress+Hauser Operations App*: Enter the serial number from the nameplate or scan the 2-D matrix code (QR code) on the nameplate.

### Standard documentation

#### Brief Operating Instructions

*Brief Operating Instructions for the sensor*

Measuring device	Documentation code
Prowirl D 200	KA01322D

*Brief Operating Instructions for transmitter*

Measuring device	Documentation code		
	HART	FOUNDATION Fieldbus	PROFIBUS PA
Proline 200	KA01326D	KA01327D	KA01328D

#### Operating Instructions

Measuring device	Documentation code		
	HART	FOUNDATION Fieldbus	PROFIBUS PA
Prowirl D 200	BA01685D	BA01693D	BA01689D

#### Description of Device Parameters

Measuring device	Documentation code		
	HART	FOUNDATION Fieldbus	PROFIBUS PA
Prowirl 200	GP01109D	GP01111D	GP01110D

### Supplementary device-dependent documentation

#### Safety Instructions

Contents	Documentation code
ATEX/IECEX Ex d, Ex tb	XA01635D
ATEX/IECEX Ex ia, Ex tb	XA01636D
ATEX/IECEX Ex ic, Ex ec	XA01637D
cCSA <sub>US</sub> XP	XA01638D
cCSA <sub>US</sub> IS	XA01639D
NEPSI Ex d	XA01643D
NEPSI Ex i	XA01644D
NEPSI Ex ic, Ex nA	XA01645D
INMETRO Ex d	XA01642D
INMETRO Ex i	XA01640D
INMETRO Ex nA	XA01641D
EAC Ex d	XA01684D
EAC Ex nA	XA01685D

**Special documentation**

Contents	Documentation code
Information on the Pressure Equipment Directive	SD01614D
Functional Safety Manual	SD02025D

Contents	Documentation code		
	HART	FOUNDATION Fieldbus	PROFIBUS PA
Heartbeat Technology	SD02029D	SD02030D	SD02031D

**Installation Instructions**

Contents	Comment
Installation instructions for spare part sets and accessories	Documentation code: specified for each individual accessory → 72.

**Registered trademarks****HART®**

Registered trademark of the FieldComm Group, Austin, Texas, USA

**PROFIBUS®**

Registered trademark of the PROFIBUS User Organization, Karlsruhe, Germany

**FOUNDATION™ Fieldbus**

Registration-pending trademark of the FieldComm Group, Austin, Texas, USA

**KALREZ®, VITON®**

Registered trademarks of DuPont Performance Elastomers L.L.C., Wilmington, DE USA

**GYLON®**

Registered trademark of Garlock Sealing Technologies, Palmyra, NY, USA

[www.addresses.endress.com](http://www.addresses.endress.com)