



GT1600 Series

Flowmeter Model GT1600

Variable Area

Industrial Glass Tube Variable Area Flowmeters

Features

- Configurable to retro-fit GT10xx, GT130x and Full-View
- 360 degrees rotatable viewing angle
- High quality materials for safety, in- and outdoor durability
- 316 stainless steel frame
- Polycarbonate safety shield
- 316/316L dual certified stainless steel process fittings
- Alarms for high- and low flow (optional for all flow ranges, either at time of order, or as add-on in the field)
- Flanged or threaded connections, available horizontal and vertical
- Panel- and wall mount options
- Easy in-situ maintenance: Clean or replace tube and float without removal from the process piping
- Adjust the scale to compensate for process variation
- Optional integral needle valve

Product Specifications


Flow Accuracy	Standard: $\pm 10\%$, $\pm 5\%$, $\pm 2\%$ Full Scale, Class 2.5 acc VDI/VDE
	Optional: $\pm 1\%$ Full Scale, Class 1.6 acc VDI/VDE
Repeatability	$\leq 0.5\%$ Full Scale
Capacities and Pressure Drops	See Capacities
Scales	Transparant scale. Adjustable
	Nominal Lengths: 75mm, 127mm and 250mm
	Choice of direct reading units, millimeter or percentage of maximum flow with factor tag.
Ambient Temperature Limits	-4°F to 125°F -20°C to 52°C
Operating Fluid Temperature Limits	33 to 250°F 1°C to 121°C
Mounting options	In-line
	Panel-mount (see Dimensions)
	Wall-mount (see Dimensions)




Product Specifications continued on next page

Product Specifications (continued)

Process connections	NPT Threaded		Flanged ANSI 150# RF		
	Horizontal IN/OUT		Horizontal IN/OUT		
	Vertical IN/OUT		Vertical IN/OUT		
	Horizontal IN/ Vertical OUT		Horizontal IN/ Vertical OUT		
	Vertical IN/ Horizontal OUT		Vertical IN/ Horizontal OUT		
Pressure Ratings		Maximum Operating Pressure (PSIG bar) at Fluid Temperature			
	Tube size	Threaded process connections		Flanged process connections	
		psi	bar	psi	bar
	02	300	20.7	240	16.5
	06	300	20.7	240	16.5
	07	300	20.7	240	16.5
	08	250	17.0	240	16.5
	09	200	13.8	200	13.8
10	175	12.1	175	12.1	
Materials of construction	Metering Tube (wetted)	Borosilicate glass			
	Process fittings (wetted)	316/316L (dual certified stainless steel)			
	Float (wetted)	Sizes 2&6: Carboloy® or 316/316L (dual certified stainless steel)			
		Sizes 7-10: 316/316L (dual certified stainless steel)			
	Float Stops (wetted)	Teflon®			
	O-rings (wetted)	Viton®, Buna-N, Kalrez®, EPDM			
	Housing	316 stainless steel			
	Window & safety shield	Polycarbonate with UV inhibitor			
Hardware	316 stainless steel				
Alarms	Tube size 02&06	Ring initiator high / low alarm			
	Tube size 07-10	Reed switch high / low alarm			
	Hazardous area approvals	Zone1/Zone2 (CSA/ATEX/IECex) – gas/dust. Protection method Ex-m (no barrier)			
		Div1/Div2 (CSA) – gas/dust. Protection method I.S. / Non-incendive			
Valve	Optional integral needle valve				
Certifications	International Calibration Certificate				
	Material Certification to DIN 3.1				
	Declaration of Compliance 2.1 Oxygen Service				

Product Specifications - Capacities

Meter type	Tube		Float	Full scale - water		Full scale - air		Alarm type
				cc/min	l/h	SLPM	ln/h	
	Size 02	R-2-127-AAAAT	316SS	1.9	0.11	0.11	6.7	Ring initiator
		R-2-127-AAAAT	CARBOLOY	3.7	0.22	0.2	12	
		R-2-127-AAT	CARBOLOY	7.5	0.45	0.38	23	
		R-2-127-DT	316SS	15	0.93	0.68	40	
		R-2-127-DT	CARBOLOY	25	1.5	1	61	
		R-2-127-AT	316SS	39	2.3	1.4	86	
		R-2-127-AT	CARBOLOY	59	3.5	2	120	
		R-2-127-BT	316SS	110	6.8	3.9	230	
		R-2-127-BT	CARBOLOY	170	10	5.6	340	
	R-2-127-CT	CARBOLOY	270	16	9	540		
	Size 06	R-6-127-AT	316SS	410	25	14	850	
		R-6-127-AT	CARBOLOY	620	37	20	1200	
		R-6-127-BT	316SS	1000	65	35	2100	
R-6-127-BT		CARBOLOY	1500	95	49	2900		

Meter type	Tube		Float	GPM	l/h	SCFM	m3n/h	Alarm type
	Size 07	R-7M-25-1FT	7-XV-11A-A	0.48	100	1.8	3.1	Reed switch
			7-XS-23-A	0.77	170	3.3	5.6	
	Size 08	R-8M-25-4FT	8-XV-8-A	1.00	240	4.4	7.5	
			8-XV-14-A	1.40	320	5.8	9.9	
			8-XV-31-A*	2.00	460	14	24	
	Size 09	R-9M-25-3FT	9-XS-33-A	3.20	730	13	22	
			9-XV-87-A*	3.90	890	28	48	
			9-XS-87-A*	5.10	1100	36	62	
	Size 10	R-10M-25-3FT	10-XV-64-A	6.20	1400	25	43	
			10-XS-64-A	7.80	1700	32	54	
			10-XS-138-A*	10.00	2400	80	130	
			10-XJ-238-A*	21.00	4800	150	270	
	Size 07	R-7M-127-1F	7-XV-11A-A	0.41	93	1.8	3.1	Reed switch
			7-XS-23-A	0.66	150	2.7	4.6	
	Size 08	R-8M-127-4F	8-XV-8-A	0.99	220	4	6.9	
			8-XV-14-A	1.3	310	5.3	9.1	
			8-XV-31-A*	1.7	400	11	20	
	Size 09	R-9M-127-3F	9-XS-33-A	3.0	690	12	21	
			9-XV-87-A*	3.6	830	26	44	
			9-XS-87-A*	4.5	1000	32	55	
	Size 10	R-10M-127-3F	10-XV64-A	6	1300	24	41	
			10-XS-64-A	7.4	1600	30	52	
			10-XS-138-A*	9.8	2200	68	110	
			10-XJ-238-A*	20	4700	140	250	
		Size 08	R-8M-75-1	8-XV-8-A	0.82	180	3.3	
8-RJ-10				1.5	340	6.3	10	
8-RJ-23				2.4	540	9.9	16	
8-RJ-30				3.1	710	13	22	
Size 10		R-10M-75-3	8-RJ-39	4.7	1000			
			10-RJ-80	12	2700			
			10-RJ-180	21	4900			
			10-RJ-37			24	40	
			10-RJ-83			36	62	
			10-RJ-90			55	93	

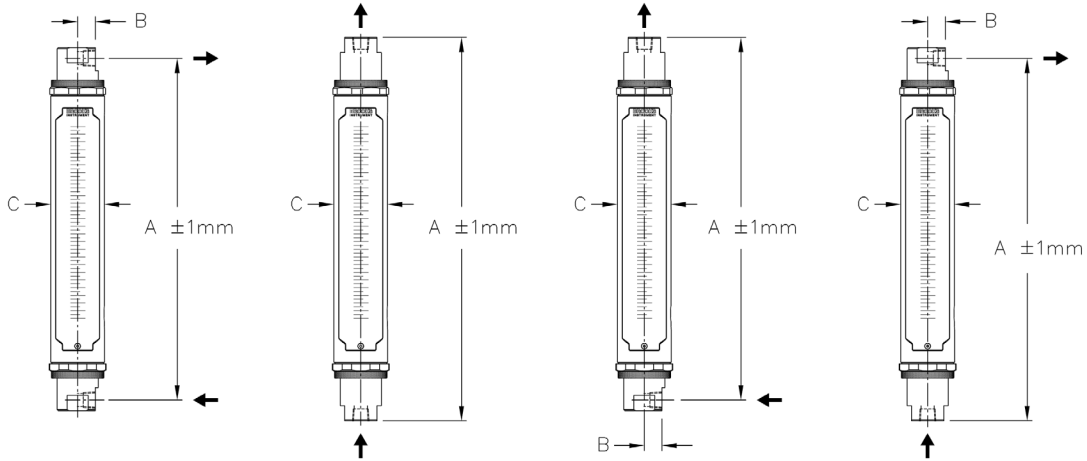
Note (1) - Air flow rates in standard units are at 70°F & 14.7 psia

Note (2) - Air flow rates in normal units are at 1.013 bar & 20°C

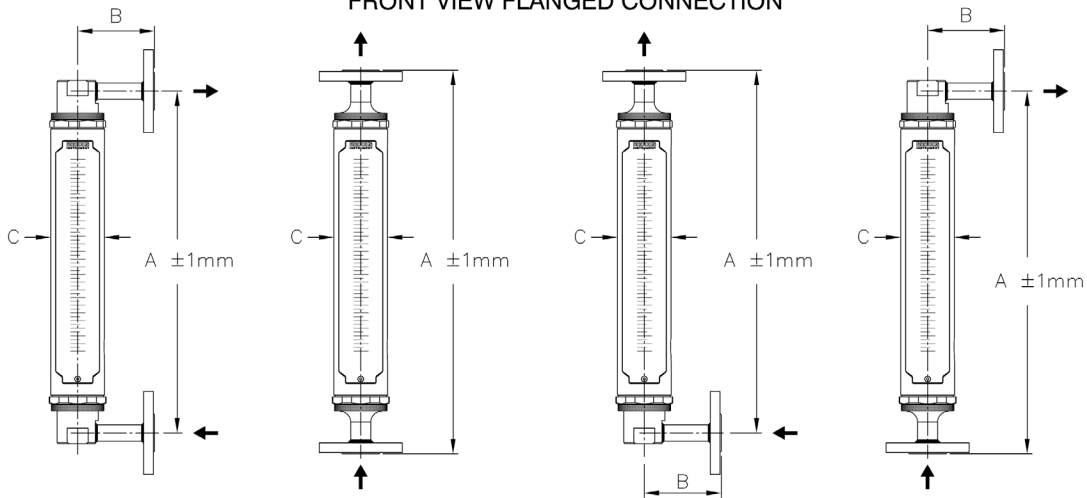
* These codes require a back pressure of 30 psig / 2bar

Product Specifications - Dimensions

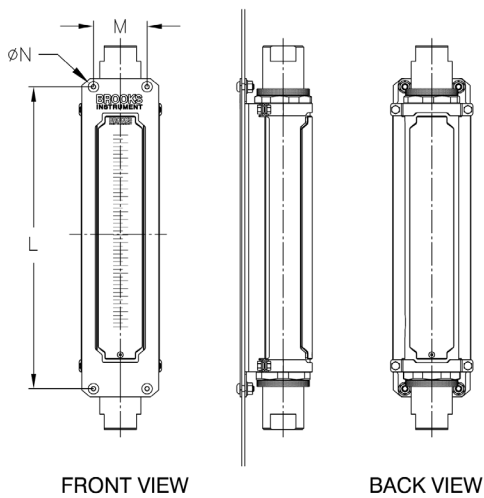
FRONT VIEW THREADED CONNECTION



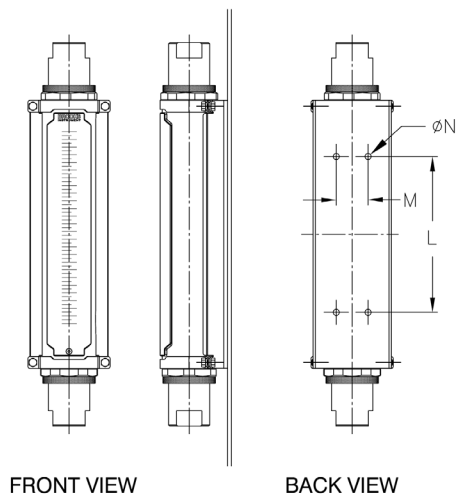
FRONT VIEW FLANGED CONNECTION




PANEL MOUNTING BRACKET (RECTANGULAR PANEL CUT-OUT + 4 MTG. HOLES)



WALL MOUNTING BRACKET (4 MOUNTING HOLES)




Product Specifications - Dimensions (continued)

Meter type	Tube size	Process connection	Orientation H(orizontal) V(ertical)	Notes	Retro-fit	Model	Dimension											
							A		B		C		L		M		N	
							inch	mm	inch	mm	inch	mm	inch	mm	inch	mm	inch	mm
	02 06	NPT-F	H-IN / H-OUT	Standard dimensions ⁽³⁾	GT1000	1020	8.59	218.3	0.59	15.0	1.97	50.0	4.00	101.6	1.00	25.4	0.24	6.0
			V-IN / V-OUT			1024	9.84	250.0	-	-								
			H-IN / V-OUT			1026	9.22	234.1	0.59	15.0								
			V-IN / H-OUT			1027	9.22	234.1	0.59	15.0								
			H-IN / H-OUT	Retrofit only ⁽⁴⁾	Full-View	1110	8.59	218.3	0.59	15.0								
			V-IN / V-OUT			1114	9.63	244.5	-	-								
			H-IN / V-OUT			1140	9.11	231.4	0.59	15.0								
			V-IN / H-OUT			1144	9.11	231.4	0.59	15.0								
		Flanged 150lbs RF	H-IN / H-OUT	Standard dimensions ⁽³⁾	GT1000	1020	8.59	218.3	3.50	75.0								
			V-IN / V-OUT			1024	10.63	270.0	-	-								
			H-IN / V-OUT			1026	9.61	244.1	2.95	75.0								
			V-IN / H-OUT			1027	9.61	244.1	2.95	75.0								
			H-IN / H-OUT	Retrofit only ⁽⁴⁾	Full-View	1140	8.59	218.3	3.50	88.9								
			V-IN / V-OUT			1144	9.63	244.5	-	-								
			H-IN / V-OUT			1146	9.11	231.4	3.50	88.9								
			V-IN / H-OUT			1147	9.11	231.4	3.50	88.9								

Note (3) - Standard dimension are for new installations

Note (4) - Retro-fit dimensions are for replacement of GT100x, GT130x and Full-View meters in existing installation. Not for use in new installations.

Product Specifications - Dimensions (continued)






Meter type	Tube size	Process connection	Orientation H(horizontal) V(ertical)	Notes	Retro-fit	Model	Dimension											
							A		B		C		L		M		N	
							inch	mm	inch	mm	inch	mm	inch	mm	inch	mm	inch	mm
	07 08 09 10	NPT-F	H-IN / H-OUT	Standard dimensions ⁽³⁾			12.31	312.7	0.91	23.0	2.76	70.0	N/A					
			V-IN / V-OUT				14.50	368.2	-	-								
			H-IN / V-OUT				13.41	340.5	0.91	23.0								
			V-IN / H-OUT				13.95	354.4	0.91	23.0								
			H-IN / H-OUT #7/8	Retrofit only ⁽⁴⁾			Full-View	1110	11.50	292.1						0.91	23.0	
			H-IN / H-OUT #9/10						12.50	317.5						-	-	
			V-IN / V-OUT #7/8					1114	12.00	304.8						-	-	
			V-IN / V-OUT #9/10						12.25	311.2						-	-	
			H-IN / V-OUT #7/8	1116			11.75	298.5	0.91	23.0								
			H-IN / V-OUT #9/10				12.38	314.3	-	-								
	V-IN / H-OUT #7/8	1117	11.75	298.5	0.91	23.0												
	V-IN / H-OUT #9/10		12.38	314.3	-	-												
	V-IN / V-OUT	Retrofit only ⁽⁴⁾	GT1306	1306	11.75	298.5	-	-										
	Flanged 150lbs RF	H-IN / H-OUT #7/8	Standard dimensions ⁽³⁾				12.31	312.7	3.94	100.0								
		H-IN / H-OUT #9/10					4.72	120.0	-	-								
		V-IN / V-OUT #7/8					14.50	368.2	-	-								
		V-IN / V-OUT #9/10					-	-	-	-								
		H-IN / V-OUT #7/8	1140				Full-View	13.41	340.5	3.94						100.0		
		H-IN / V-OUT #9/10						4.72	120.0	-						-		
		V-IN / H-OUT #7/8	1144				Full-View	13.41	340.5	3.94						100.0		
V-IN / H-OUT #9/10		4.72						120.0	-	-								
H-IN / H-OUT #7/8		1146	Full-View				11.50	292.1	3.50	88.9								
H-IN / H-OUT #9/10							12.50	317.5	4.00	101.6								
V-IN / V-OUT #7/8	1147	Full-View	12.00	304.8	-	-												
V-IN / V-OUT #9/10			12.25	311.2	-	-												
H-IN / V-OUT #7/8	1147	Full-View	11.75	298.5	3.50	88.9												
H-IN / V-OUT #9/10			12.38	314.3	4.00	101.6												
V-IN / H-OUT #7/8	1147	Full-View	11.75	298.5	3.50	88.9												
V-IN / H-OUT #9/10			12.38	314.3	4.00	101.6												

Note (3) - Standard dimension are for new installations

Note (4) - Retro-fit dimensions are for replacement of GT100x, GT130x and Full-View meters in existing installation. Not for use in new installations.

Product Approvals Overview

Product Approvals Overview

Declarations	Mark	Meter Options			Standards/Directives/Marking	Status/Certificate
		Mechanical	Reed Switch	Inductive Alarm		
EU Declaration of Conformity				✓	EMC Directive (2014/30/EU)	Declaration
		✓	✓	✓	RoHS Directive (2011/65/EU)	Declaration
		✓	✓	✓	Pressure Equipment Directive (2014/68/EU)	Declaration
			✓		EMC Directive (2014/30/EU) The equipment uses a reed switch sensor & is outside the scope of the directive since the inherent nature of the physical characteristics of which is such that: (i) it is incapable of generating or contributing to electromagnetic emissions which exceed a level allowing radio and telecommunication equipment and other equipment to operate as intended; and (ii) it operates without unacceptable degradation in the presence of the electromagnetic disturbance normally consequent upon its intended use.	
			✓	EMC Directive (2014/30/EU)	Declaration	
		✓	✓	✓	Canadian Registration Number (CRN)	PENDING
Explosion safety "encapsulation (m)"	ATEX 		✓		II 2 G Ex mb IIC T6 Gb II 2 D Ex mb IIIC T85°C Db (Standard Version) II 2 G Ex mb IIC T5 Gb II 2 D Ex mb IIIC T100°C Db (With Junction box Version)	KIWA 18ATEX0013 X
		IECEX		✓	Ex mb IIC T6 Gb Ex mb IIIC T85°C Db (Standard Version) Ex mb IIC T5 Gb Ex mb IIIC T100°C Db (With Junction box Version)	IECEX KIWA 18.0008X
				Standards used for evaluation: EN 60079-0 : 2012+A11: 2013, EN 60079-18 : 2015 IEC 60079-0 : 2011, IEC 60079-18 : 2014 Ambient Temperature range: -20 °C to +65 °C (Standard Version), -20 °C to +55 °C (With Junction box Version) Input Power: 30V, 250mA, 3W Special conditions for safe use: Refer to IOM		
				Reed Switch Alarms are classified as "Simple Apparatus" when used in Intrinsically Safe circuits. They comply with the requirements of EN60079-11 clause 5.7 – Simple apparatus. Ambient Temperature ratings: -20° C ≤ Tamb ≤ 65° C Input parameters: Vmax = 30V, Imax = 100mA, Ci = 0µF, Li = 0µH Special conditions for safe use: Refer to IOM		
Explosion safety "Intrinsic Safety (ia)"			✓		IS Class I, II, III, Div 1, Groups A, thru G, T6	PENDING
Explosion safety "Intrinsic Safety (ia)"	 			✓	Inductive Ring Sensor - Pepperl + Fuchs Model: RC10-14-N3 or RC15-14-N3 Non-Hazardous Locations: Power Supply: 8.2 V DC Nominal (Max 16V DC) Current consumption: Active area clear : 3mA, Active area obscured: 1mA Ambient Temperature: -20°C to 100°C Hazardous Location II 2 G Ex ia IIC T6..T1 Gb IP67 Refer to ATEX Certificate for: Input parameters, Max Ambient Temperature, Special conditions for use FM Approvals Class I, Division 1, Group A, B, C, Class II, Division 1, Group E, F, G, Class III, Division 1 Class I, Zone 0, Group IIC T6	Pepperl + Fuchs PTB 99 ATEX 2128 X Pepperl + Fuchs Control Drawing: 116-0165G
Explosion safety "Constructional safety (c)"	ATEX 	✓			II 2GD c IIC TX Special conditions for safe use: Refer to IOM	PENDING

Model Code

Code Description	Code Option	Option Description							
I-II. Base Model Number	16	Horizontal Inlet and Outlet							
III. Body - Flow/Scale Length		Body Flow Scale Length							
	1	250-High Flow 250mm							
	2	127-High Flow 127mm							
	3	075-High Flow 75mm							
	4	127-Low Flow 127mm							
IV. Connection Orientation	0	Horizontal Inlet - Horizontal Outlet							
	4	Vertical Inlet - Vertical Outlet							
	6	Horizontal Inlet - Vertical Outlet							
	7	Vertical Inlet - Horizontal Outlet							
V. Model Revision	A	Initial release of global model code							
VI-VII. Maximum Flowrate	250 - High Flow								
		Water				Air			
	Code	GPM	l/h	SCFM	m3n/h		Tube	Float	
	JC	0.48	100	1.8	3.1	J	R-7M-25-1FT	C 7-XV-11A-A	
	JF	0.77	170	3.3	5.6	J	R-7M-25-1FT	F 7-XS-23-A	
	KC	1.00	240	4.4	7.5	K	R-8M-25-4FT	C 8-XV-8-A	
	KF	1.40	320	5.8	9.9	K	R-8M-25-4FT	F 8-XV-14-A	
	KJ	2.00	460	14*	24*	K	R-8M-25-4FT	J 8-XV-31-A*	
	LC	3.20	730	13	22	L	R-9M-25-3FT	C 9-XS-33-A	
	LF	3.90	890	28*	48*	L	R-9M-25-3FT	F 9-XV-87-A*	
	LJ	5.10	1100	36*	62*	L	R-9M-25-3FT	J 9-XS-87-A*	
	MC	6.20	1400	25	43	M	R-10M-25-3FT	C 10-XV-64-A	
	MF	7.80	1700	32	54	M	R-10M-25-3FT	F 10-XS-64-A	
	MJ	10.00	2400	80*	130*	M	R-10M-25-3FT	J 10-XS-138-A*	
	MM	21.00	4800	150*	270*	M	R-10M-25-3FT	M 10-XJ-238-A*	
	* These codes require a back pressure of 30 psig /2 bar								
		127 - High Flow							
		Water				Air			
Code		GPM	l/h	SCFM	m3n/h		Tube	Float	
SC		0.41	93	1.8	3.1	S	R-7M-127-1FT	C 7-XV-11A-A	
SF		0.66	150	2.7	4.6	S	R-7M-127-1FT	F 7-XS-23-A	
TC		0.99	220	4	6.9	T	R-8M-127-4FT	C 8-XV-8-A	
TF		1.3	310	5.3	9.1	T	R-8M-127-4FT	F 8-XV-14-A	
TJ		1.7	400	11*	20*	T	R-8M-127-4FT	J 8-XV-31-A*	
UC		3	690	12	21	U	R-9M-127-4FT	C 9-XS-33-A	
UF		3.6	830	26*	44*	U	R-9M-127-4FT	F 9-XV-87-A*	
UJ		4.5	1000	32*	55*	U	R-9M-127-4FT	J 9-XS-87-A*	
VC		6	1300	24	41	V	R-10M-127-3FT	C 10-XV-64-A	
VF		7.4	1600	30	52	V	R-10M-127-3FT	F 10-XS-64-A	
VJ		9.8	2200	68*	110*	V	R-10M-127-3FT	J 10-XS-138-A*	
VM		20	4700	140*	250*	V	R-10M-127-3FT	M 10-XJ-238-A*	
* These codes require a back pressure of 30 psig/2 bar									
		075 - High Flow							
		Water				Air			
	Code	GPM	l/h	SCFM	m3n/h		Tube	Float	
	PC	0.82	180	3.3	5.6	P	R-8M-75-1	C 8-XV-8-A	
	PF	1.5	340	6.3	10	P	R-8M-75-1	F 8-RJ-10	
	PJ	2.4	540	9.9	16	P	R-8M-75-1	J 8-RJ-23	
	PM	3.1	710	13	22	P	R-8M-75-1	M 8-RJ-30	
	PQ	4.7	1000	N/A	N/A	P	R-8M-75-1	Q 8-RJ-39	
	RC	12	2700	N/A	N/A	R	R-10M-75-3	C 10-RJ-80	
	RF	21	4900	N/A	N/A	R	R-10M-75-3	F 10-RJ-180	
	RJ	N/A	N/A	24	40	R	R-10M-75-3	J 10-RJ-37	
	RM	N/A	N/A	36	62	R	R-10M-75-3	M 10-RJ-83	
	RQ	N/A	N/A	55	93	R	R-10M-75-3	Q 10-RJ-90	

Model Code continued on next page

Model Code (continued)

Code Description	Code Option	Option Description						
VI.-VII. Maximum Flowrate (continued)	127 - Low Flow							
		Water		Air				
	Code	GPH	l/h	SLPM	In/h		Tube	Float
	A3	1.9	0.11	0.11	6.7	A	R-2-127-AAAAT	3 316SS
	A6	3.7	0.22	0.2	12	A	R-2-127-AAAAT	6 CARBOLOY
	B6	7.5	0.45	0.38	23	B	R-2-127-AAT	6 CARBOLOY
	C3	15	0.93	0.68	40	C	R-2-127-DT	3 316SS
	C6	25	1.5	1	61	C	R-2-127-DT	6 CARBOLOY
	D3	39	2.3	1.4	86	D	R-2-127-AT	3 316SS
	D6	59	3.5	2	120	D	R-2-127-AT	6 CARBOLOY
	E3	110	6.8	3.9	230	E	R-2-127-BT	3 316SS
	E6	170	10	5.6	340	E	R-2-127-BT	6 CARBOLOY
	F6	270	16	9	540	F	R-2-127-CT	6 CARBOLOY
	G3	410	25	14	850	G	R-6-127-AT	3 316SS
	G6	620	37	20	1200	G	R-6-127-AT	6 CARBOLOY
	H3	1000	65	35	2100	H	R-6-127-BT	3 316SS
H6	1500	95	49	2900	H	R-6-127-BT	6 CARBOLOY	
VIII. Fitting Material	A	316 Stainless Steel						
	B	316 Stainless Steel w/ CRN						
IX. Connection Size	1	1/4"	Low Flow					
	2	1/2"	High Flow					
	3	3/4"	High Flow					
	4	1"	High Flow					
	5	1"	Vertical / 3/4" Horizontal. Size 10 only.					
X. - XI. Connection Type	AA	Standard / GT1000 Retrofit	NPT - Female					
	AB	Standard / GT1000 Retrofit	ANSI #150 RF Flange					
	BA	Retrofit GT130x	NPT - Female					
	CA	Retrofit Full-View 11xx	NPT - Female					
	CB	Retrofit Full-View 11xx	ANSI 150# RF Flange					
	DC	Retrofit GT1000	Rc - Female\					
XII. O-Ring Material	1	Viton® fluoroelastomer						
	2	Buna						
	3	Kalrez®						
	4	EPDM						
XIII. Scale Inscription	1	MM Scale						
	2	Percent Scale						
	3	Direct Reading Scale						
	4	Dual Scale						
XIV. Meter Accuracy	A	±10%						
	B	±5% Full Scale						
	C	±5% w/calibration						
	D	±2% Full Scale						
	E	±2% Full Scale w/calibration						
	F	±1% Full Scale w/calibration						
	G	2.5 VDI/VDE w/calibration						
	H	1.6 VDI/VDE w/calibration						
XV. Valve Type/Location	0	None						
	1	Valve at Inlet						
	2	Valve at Outlet						
XVI. Alarm	0	None						
	1	1 Switch/Sensor						
	2	2 Switches/Sensors						
XVII. Approvals	A	None						
	B	ATEX - Zone 1 & Zone 2, non-Electrical						
	C	UL / FM - Hazardous location						
	D	ATEX - Zone 1 & Zone 2, Electrical						

Sample Standard Model Code

I-II	III	IV	V	VI-VII	VIII	IX	X-XI	XII	XIII	XIV	XV	XVI	XVII
16	1	4	A	D0	A	2	AA	1	3	D	0	0	A

Additional Services Available

· CONDULET JUNCTION BOX ASSEMBLY

<i>from 16xxG Model Code, position 16</i>		Part Numbers for Relays
Alarm		
Option Code	Description	
0	None	
1	1 Switch/Sensor	203Z023AAA
2	2 Switches/Sensor	203Z023AAA

· RELAY

<i>from 16xxG Model Code, position 16</i>		Part Numbers for Relays		
Alarm				
Option Code	Description	110VAC 1 or 2 relay	220VAC 1 or 2 relay	24VAC 1 or 2 relay
0	None			
1	1 Switch/Sensor	029G008ZZZ	or 029G010ZZZ	or 029G012ZZZ
2	2 Switches/Sensor	029G008ZZZ	or 029G010ZZZ	or 029G012ZZZ

· FRONT PANEL MOUNTING KIT

#2-6	778Z018AAA	127mm
#7-10	778Z019AAA	250mm

· BACK PANEL MOUNTING KIT

#2-6	778Z020AAA	127mm
#7-10	778Z021AAA	250mm

· 3.1 Material Cert

· International Calibration Certificate (ICC)

· NACE MR0175 MR0103

· PMI

· Clean for Oxygen Service 2.1

· Declaration of Compliance 2.1

· Pressure Test Certificate 2.2

· Commercial Cleaning

Brooks Service and Support

Brooks is committed to assuring all of our customers receive the ideal flow solution for their application, along with outstanding service and support to back it up. We operate first class repair facilities located around the world to provide rapid response and support. Each location utilizes primary standard calibration equipment to ensure accuracy and reliability for repairs and recalibration and is certified by our local Weights and Measures Authorities and traceable to the relevant International Standards. Visit www.BrooksInstrument.com to locate the service location nearest to you.

START-UP SERVICE AND IN-SITU CALIBRATION

Brooks Instrument can provide start-up service prior to operation when required. For some process applications, where ISO-9001 Quality Certification is important, it is mandatory to verify and/or (re)calibrate the products periodically. In many cases this service can be provided under in-situ conditions, and the results will be traceable to the relevant international quality standards.

SEMINARS AND TRAINING

Brooks Instrument can provide seminars and dedicated training to engineers, end users, and maintenance persons. Please contact your nearest sales representative for more details.

Due to Brooks Instrument's commitment to continuous improvement of our products, all specifications are subject to change without notice.

TRADEMARKS

BrooksBrooks Instrument, LLC
All other trademarks are the property of their respective owners.



Global Headquarters

Brooks Instrument
407 West Vine Street
Hatfield, PA
19440-0903 USA

Toll-Free (USA): 888-554-FLOW
T: 215-362-3500
F: 215-362-3745

BrooksAM@BrooksInstrument.com

A list of all Brooks Instrument locations and contact details can be found at www.BrooksInstrument.com

© Copyright 2019 Brooks Instrument, LLC All rights reserved. Printed in U.S.A.

