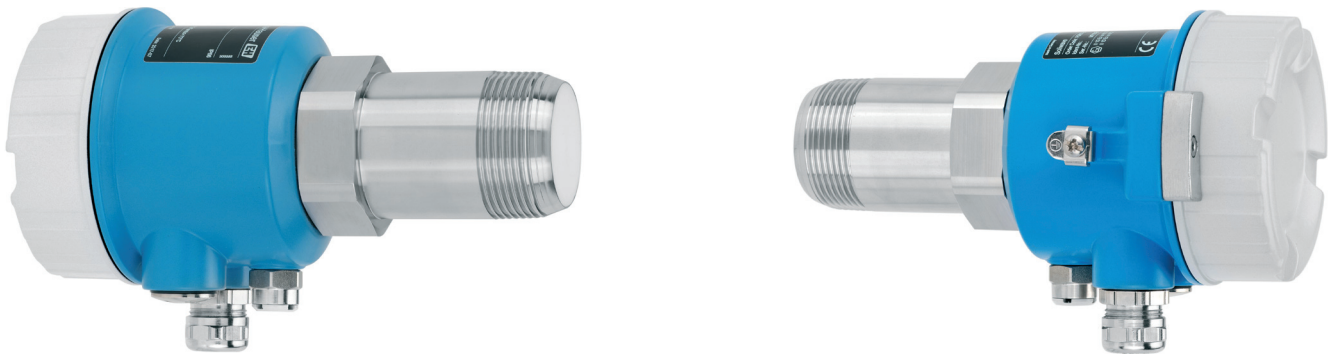


Technical Information

Soliwave FQR57/FDR57

Microwave barrier



Microwave barrier for non-contact level limit detection and bulk flow detection

Application

- Non-contact detection procedure
- Suitable as a level limit switch for bulk solids of all kinds and for liquids, as well as for monitoring and counting piece goods
- Analysis of accumulations, fouling or similar
- Optional monitoring of bulk flow (movement/no movement)

Device properties

- Detection range up to 100 m (level limit detection) or 10 m (bulk flow detection) depending on the bulk solids
- Process temperatures up to +70°C (+158°F) or +450°C (+842°F) with optional adapter for temperature reduction
- Process pressure up to 680 kPa (6.8 bar) absolute or 2 MPa (20 bar) absolute with optional high pressure adapter
- Also suitable for use under strong continuous vibration load.
- For use in hazardous areas (dust and gas)

Your benefits

- Simple mounting with thread R 1½, 1½ NPT or G 1½ (with counter nut)
- Electronics housing can be rotated by 360°, allowing orientation into optimum position after installation
- High mechanical robustness, therefore no wear, long operating life and maintenance-free
- No separate supply voltage required (power supplied via the Nivotester FTR525)
- Fully mechanically compatible with previous devices of the Soliwave microwave barrier FQR50/FDR50 and FQR56/FDR56
- Increased reliability of level limit monitoring through optional integrated bulk flow detection
- Measuring principle almost independent of process properties
- Can also be used in difficult applications, where other measurement methods fail
- Simple operation via the FTR525 Nivotester with graphical display saves time and reduces costs


Table of contents

Document information	3	Storage temperature	24
Display conventions	3	Degree of protection	24
Function and system design	4	Vibration resistance	24
Measuring principle	4	Electromagnetic Compatibility (EMC)	24
Measuring system	6	Process	25
Safety	6	Process temperature range	25
Input	7	Process pressure range	25
Measured variable	7	Vibration	25
Measuring range	7	Mechanical construction	26
Operating frequency	7	Dimensions	26
Transmission power	7	Weight	26
Antenna opening angle	7	Materials	27
Output	8	Process connections	27
Output signal	8	Operability	28
Power supply	9	Certificates and approvals	29
Terminal assignment	9	CE mark	29
Supply voltage	9	Ex approval	29
Potential matching	9	Radio approval	29
Terminals	9	External standards and guidelines	29
Cable entries	9	Ordering information	30
Connector	10	Scope of delivery	30
Cable specification	10	Accessories	31
Performance characteristics	11	Supplementary documentation	40
Reference operating conditions	11	Standard documentation	40
Influence of ambient temperature	11	Device-dependent supplementary documentation	40
Influences on level limit detection	11		
Influences on bulk flow detection	11		
Vibration effects	11		
Installation	12		
Mounting location	12		
Orientation	12		
Installation instructions	13		
Operation with reflector(s)	14		
Parallel mode	15		
Direct mounting with threaded connection	16		
Mounting in front of microwave-permeable process wall	17		
Mounting bracket in front of microwave- permeable sight glass fitting	18		
Mounting on process nozzles	19		
Mounting with spacer tube (wave guide)	21		
Mounting with high temperature adapter and length extensions	23		
Connecting cable length	23		
Connecting cable	23		
Environment	24		
Operating temperature range	24		





Document information

Display conventions

Safety symbols

Symbol	Meaning
	NOTICE! This symbol contains information on procedures and other facts which do not result in personal injury.





Symbols for certain types of information

Symbol	Meaning
	Tip Indicates additional information.
	Reference to documentation
	Reference to page
	Reference to graphic

Symbols in graphics

Symbol	Meaning
1, 2, 3 ...	Item numbers
1., 2., 3. ...	Series of steps

Device-specific symbols

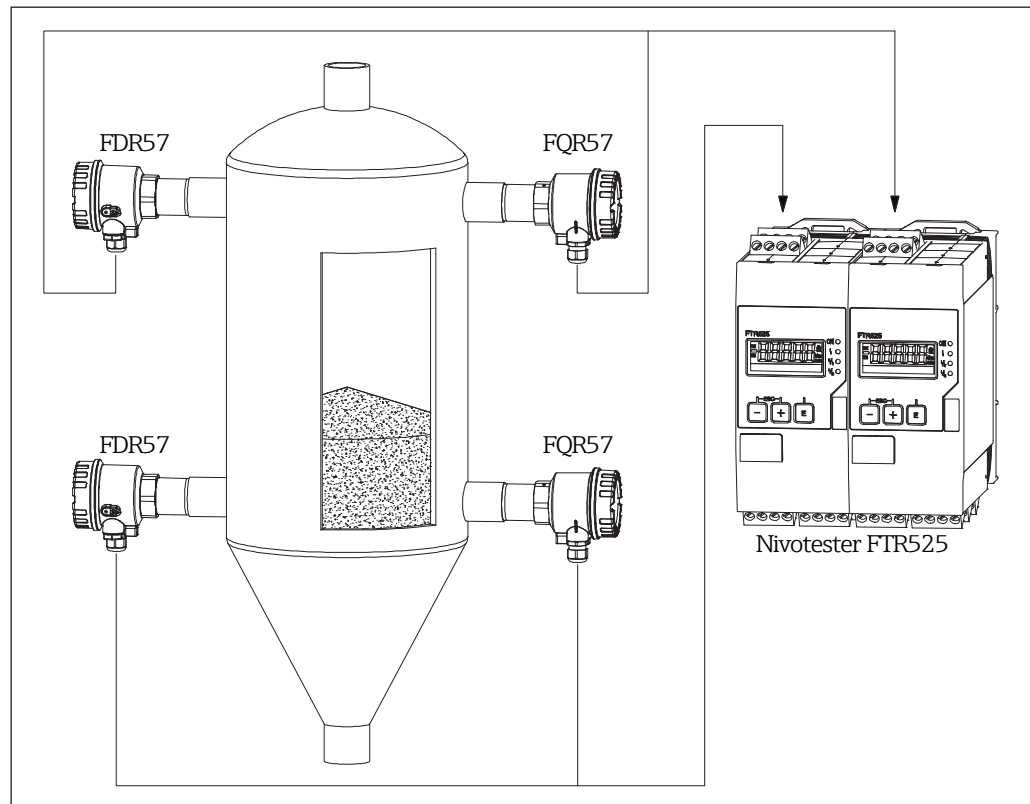
Symbol	Meaning
	Free path Indicates a free path (level limit detection)
	Covered path Indicates a covered path (level limit detection)
	Minimum bulk flow Indicates a minimum or absent bulk flow (bulk flow monitoring)
	Maximum bulk flow Indicates a maximum bulk flow (bulk flow monitoring)

Function and system design

Measuring principle

Level limit detection

The FQR57 transmitter emits a microwave signal, which is detected by the FDR57 transceiver directly opposite, which then sends the corresponding serial output signal to the FTR525 Nivotester.



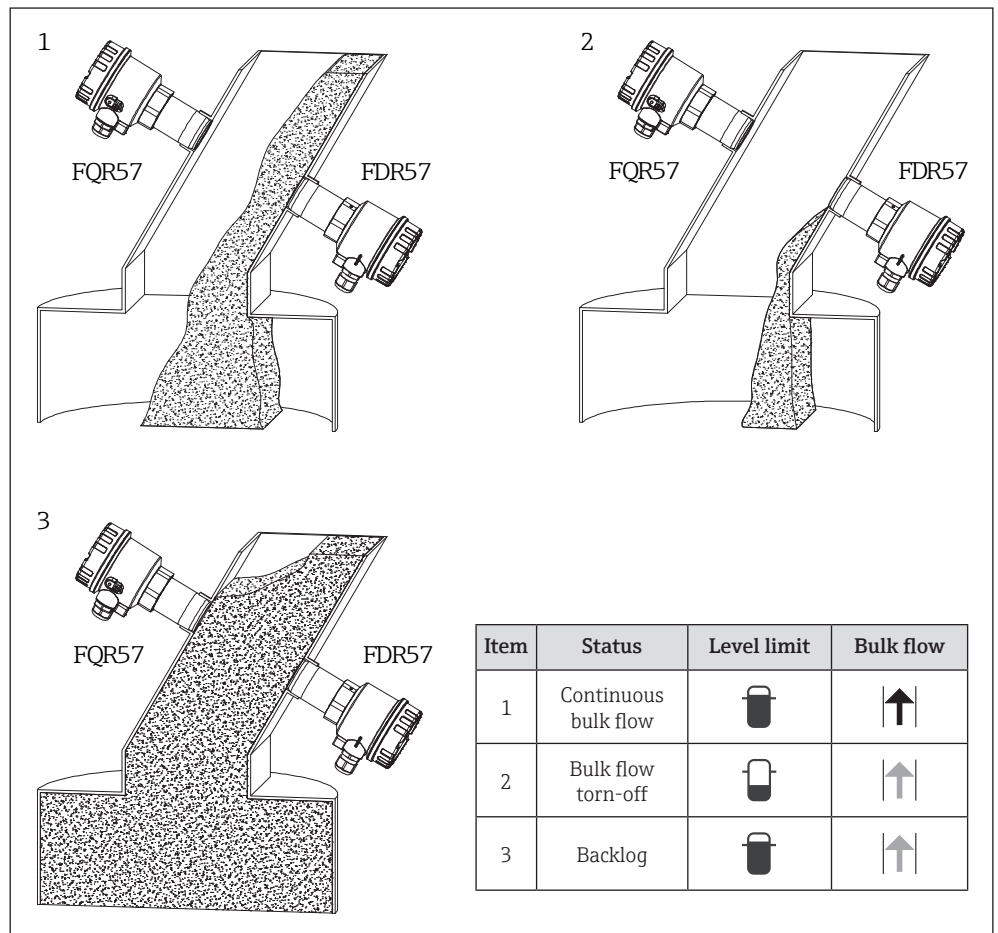
1 Example of level limit detection

The microwave barrier is typically used for notification when containers, silos or similar are full and/or empty. Full notification is used to protect against overflow while empty notification is used, for example, to protect downstream conveyor devices from running dry.

With the help of the analog output (current 4 to 20 mA), fouling and accumulations can be detected; an increase in the fouling of a filter is, for example, indicated by a falling current value.

Optional integrated bulk flow detection

The FDR57 transceiver also emits a signal, which is reflected by the moving bulk solids. It measures the strength of the reflected frequency-shifted energy (Doppler effect) and sends the corresponding serial output signal to the FTR525 Nivotester.



2 Example bulk flow detection

NOTICE

As only the FDR57 transceiver detects the bulk flow, it should be mounted as close as possible to the bulk flow.

Application example: backlog monitoring

Microwave barriers with integrated bulk flow detection are typically used to monitor shafts, feed hoppers or similar with regard to material flow and backlogs.

Previously, two microwave barriers were required for this. The first to monitor continuous material transport by means of the continuous attenuation of the microwave signal. The second, which must be installed above the material flow, to detect the backlog by means of a sudden increase in the attenuation of the microwave signal.

The Soliwave microwave barrier with integrated bulk flow detection now performs both these tasks. The FDR57 transceiver now detects the continuous material transport. In combination with the signal from the microwave barrier, it is possible to detect whether the material flow is interrupted or if there is a backlog.

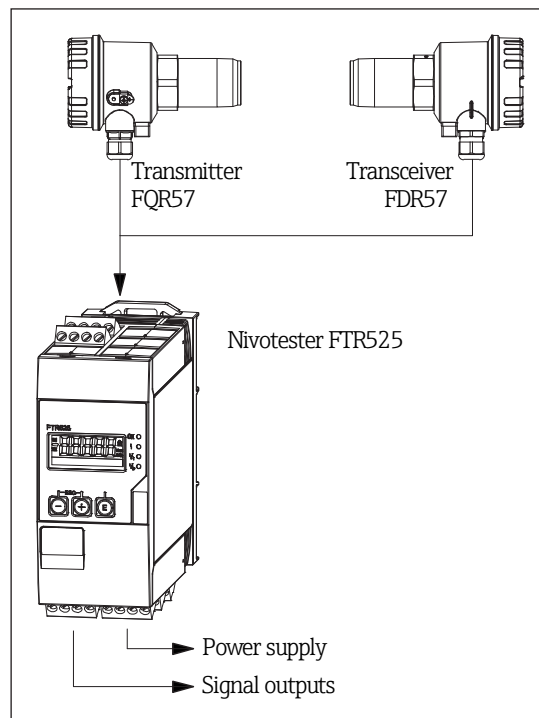
NOTICE

- The range of the microwave signal is influenced by the different types of materials. The attenuation is dependent on the electrical properties of the damping material. Materials with the capacity to conduct electricity, such as metals, reflect the waves, while other materials with lower conductivity only weaken them or are even penetrated.
- The attenuation of the microwaves is reduced as the damping of the material to be permeated becomes lower.

Measuring system

The complete system consists of the FQR57/FDR57 devices of the Soliwave microwave barrier as well as the Nivotester FTR525 remote process transmitter with control unit.

i For details of the extensive functions of the Nivotester FTR525, please see the separate Technical Information (TI01329F/97/EN).



3 Overview of the complete measuring system


NOTICE

For optimal installation in the process, the FQR57/FDR57 devices of the microwave barrier can be extended with corresponding accessories such as weld-in nozzles, sight glasses or high temperature adapters for process separation (→ 31).

Safety

We shall only grant a guarantee if the device is installed and operated in accordance with the Operating Instructions. Safety measures in accordance with the user's safety standard, which provide additional protection for the device and its signal transfer, are to be implemented by the user.

Input

Measured variable	<ul style="list-style-type: none">▪ Level limit detection: Absorption of the electromagnetic waves emitted by the FQR57 transmitter▪ Bulk flow detection: Doppler frequency
Measuring range	<ul style="list-style-type: none">▪ Max. 100 m (level limit detection)▪ Max. 10 m (bulk flow detection) depending on the bulk solids
Operating frequency	24.05 to 24.25 GHz ISM
Transmission power	<p>The power produced by the FQR57/FDR57 is maximum 100 mW e.i.r.p. (equivalent isotrope radiation performance).</p> <ul style="list-style-type: none">▪ Power density directly in front of the device: Approx. 1 mW/cm²▪ Power density at a distance of 1 m: Approx. 0.3 μW/cm² <p> The power density is clearly below the recommended limit values of the ICNIRP guidelines "Guidelines for Limiting Exposure to Time-Varying Electric, Magnetic, and Electromagnetic Fields (up to 300 GHz)" and thus is completely harmless for humans.</p>
Antenna opening angle	approx. ± 9°

Output

Output signal

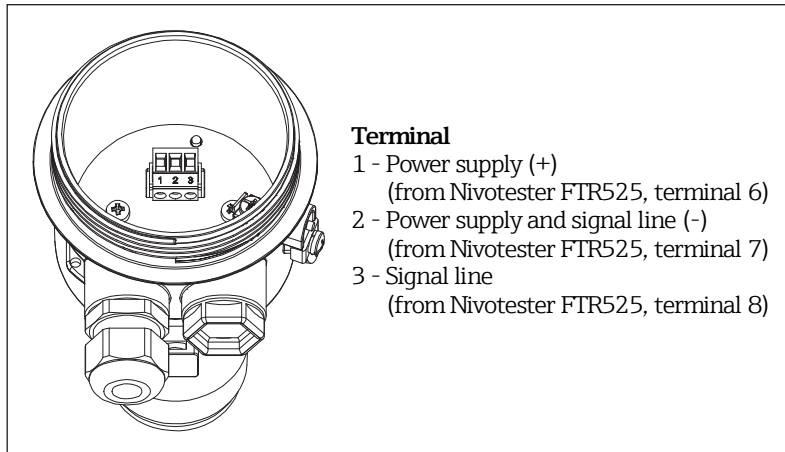
Serial signal for the FTR525 Nivotester



For details on the extensive output signals of the FTR525 Nivotester (4 to 20 mA, max. two relays or SSR, open collector), please see the separate technical information (TI01329F/97/EN).

Power supply

Terminal assignment



Terminal


- 1 - Power supply (+)
(from Nivotester FTR525, terminal 6)
- 2 - Power supply and signal line (-)
(from Nivotester FTR525, terminal 7)
- 3 - Signal line
(from Nivotester FTR525, terminal 8)

 4 Terminal

 For details on the FTR525 Nivotester wiring, please see the separate Technical Information (TI01329F/97/EN).

Supply voltage


The supply voltage is provided by the FTR525 Nivotester.

 For details on the power supply to the FTR525 Nivotester, please see the separate Technical Information (TI01329F/97/EN).

Potential matching

Requirements:

- The potential equalization should be connected to the outer ground terminal of the FQR57/FDR57.
- For optimum electromagnetic compatibility, the potential matching line should be as short as possible.
- The recommended minimum cable cross-section is 2.5 mm².
- Potential equalization of the FQR57/FDR57 should be incorporated in the local potential equalization.

 For devices intended for use in hazardous locations, please observe the guidelines in the Ex documentation (XA).

Terminals

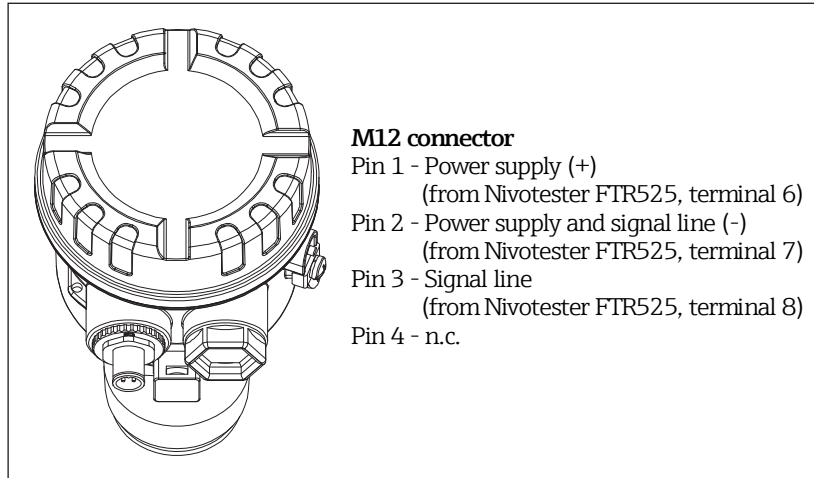
Max. 2.5 mm²

Cable entries

- Cable gland M20 x 1.5 or cable entry ½ NPT
- Degree of protection: Min. IP66
- Cable gland in non-hazardous areas:
 - Material: Plastic
 - Color: Gray
 - Clamping range: 5 to 10 mm (EN 61444) or 7-10 mm (UL-514 B)
- Cable gland in hazardous areas:
 - Material: Nickel-plated brass
 - Color: Silver
 - Clamping range: 7 to 10.5 mm
- Quantity: 1 piece per device
- The cable gland is only admissible for the connection of fixed-installation lines and cables. The operator must ensure corresponding strain relief.

Connector

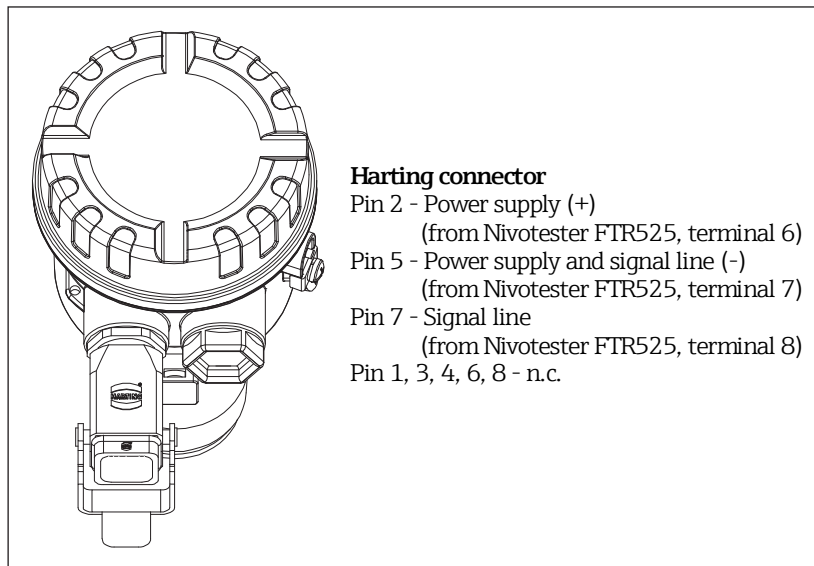
- M12 round plug connector
 - 4-pin
 - Housing made of die-cast zinc, nickel-plated



5 Pin assignment of M12 round plug connector

- The M12 round plug connector is internally connected with the terminal by a wire.
- Suitable M12 mating connectors (with and without pre-terminated connecting cable) are available as accessories (→ 31).

- Harting plug-in connector
 - Connector insert Han® 8 D, 3-pin
 - Harting Han® 3 A housing, die-cast zinc, powder-coated RAL 7037 (gray)




6 Pin assignment of Harting plug-in connector

- The Harting plug connector is internally connected with the terminal by a wire.
- Suitable Harting mating connectors (with and without pre-terminated connecting cable) are available as accessories (→ 31).

Cable specification

- Normal instrument cable (min. 3-wire) is sufficient
- Minimum requirement: Cable temperature range = ambient temperature

Performance characteristics

Reference operating conditions	Every application is different in terms of its shape and size (such as detection area and influential reflexion edges), distance from FQR57/FDR57 to the medium as well as the properties of the medium (such as attenuation and moisture levels) and therefore always requires an individual basic setup of the microwave barrier.
Influence of ambient temperature	The ambient temperature has no direct influence on the measuring system (FQR57/FDR57 are temperature-compensated internally).
Influences on level limit detection	<p>The influences of the shape and size, distances of FQR57/FDR57 from the medium and the medium properties are eliminated during a basic setup.</p> <p>The following points, however, have an influence on level limit detection:</p> <ul style="list-style-type: none"> ▪ Moisture within the process In principle, additional moisture (for example, condensate running down the radiation window of the FQR57/FDR57) attenuates the measuring signal. To the extent that there are variable moisture levels, the microwave barrier must be adjusted under the least favourable conditions, so that the "Free path" and "Covered path" statuses can be detected reliably. ▪ Accumulations Accumulations in front of the radiation window of the FQR57/FDR57 can also lead to attenuation of the measuring signal (potentially further amplified by additional moisture). Accumulations must therefore be avoided through structural measures or the use of special process adapters (accessories → 31), or must be removed during regular maintenance measures (depending on the degree of influence). <p> ▪ When exchanging the FQR57/FDR57 devices, they do not have to be adapted to the application again. The application-dependent configuration is automatically transferred from the FTR525 Nivotester to the devices when it is connected.</p> <ul style="list-style-type: none"> ▪ With the help of the current output from the FTR525 Nivotester, the progress of accumulations, fouling or similar from "unsoiled" to "soiled" can be evaluated (limit values are individually configurable).
Influences on bulk flow detection	<p>In addition to the influences on level limit detection, the following points must also be observed for the bulk flow detection:</p> <ul style="list-style-type: none"> ▪ Distance of FDR57 from the medium The measuring signal is influenced by the distance between the FDR57 and the medium. With significantly deviating distances, the FDR57 should be installed, if possible, such that the distance is as constant as possible. If this is not possible, the microwave barrier must be adjusted under the least favourable conditions in this case too.
Vibration effects	<p>Vibration resistance – continuous load with sliding frequency in accordance with EN 60068-2-6:</p> <ul style="list-style-type: none"> ▪ Excitation: Sine ▪ Frequency range: 10 to 55 Hz ▪ Amplitude: 0.75 mm ▪ Throughput speed: 1 octave per minute ▪ Test axes: Three directions (X, Y, Z) ▪ Number of frequency cycles: 20 per axis ▪ Test duration: Approx. 1 h 38 min per axis ▪ Test temperature: Room temperature

Installation

Mounting location

The mounting location must be selected such that application-specific influences are minimized (see "Performance characteristics"). Depending on the installation locations, different process adapters are available as accessories (→ 31).

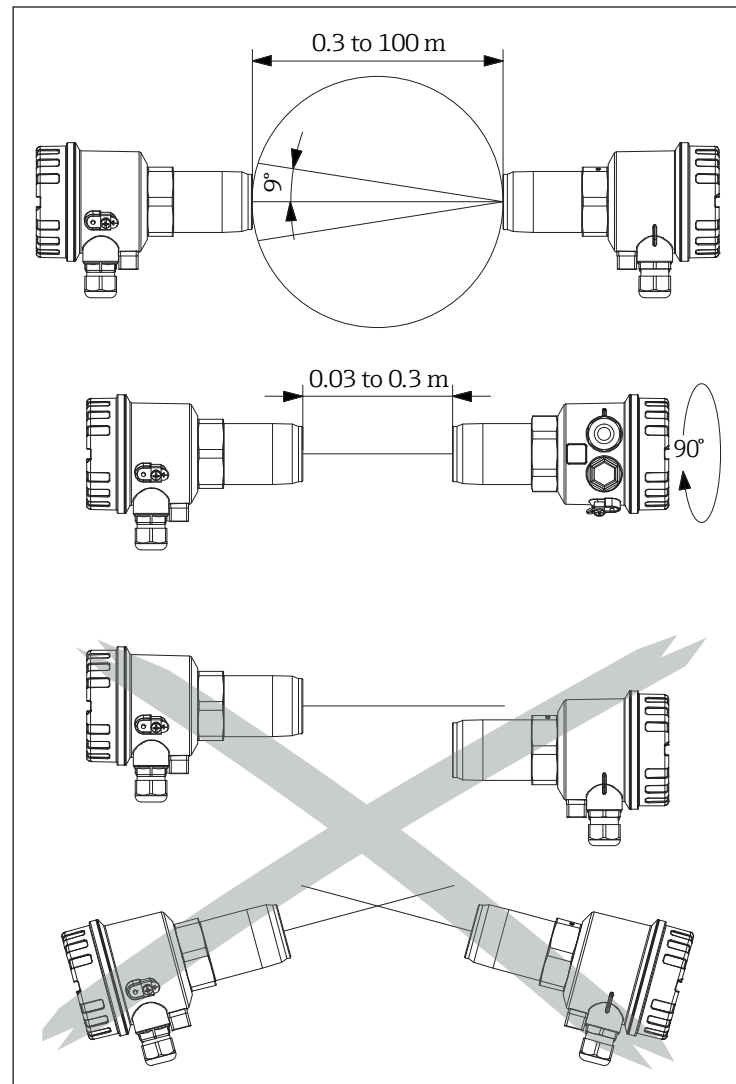
Mechanical protection of the devices (such as protection against larger falling product pieces) should also be taken into account.

 For devices intended for use in hazardous locations, please observe the guidelines in the Ex documentation (XA).

Orientation

The orientation is essentially user defined, taking into consideration the following notes:

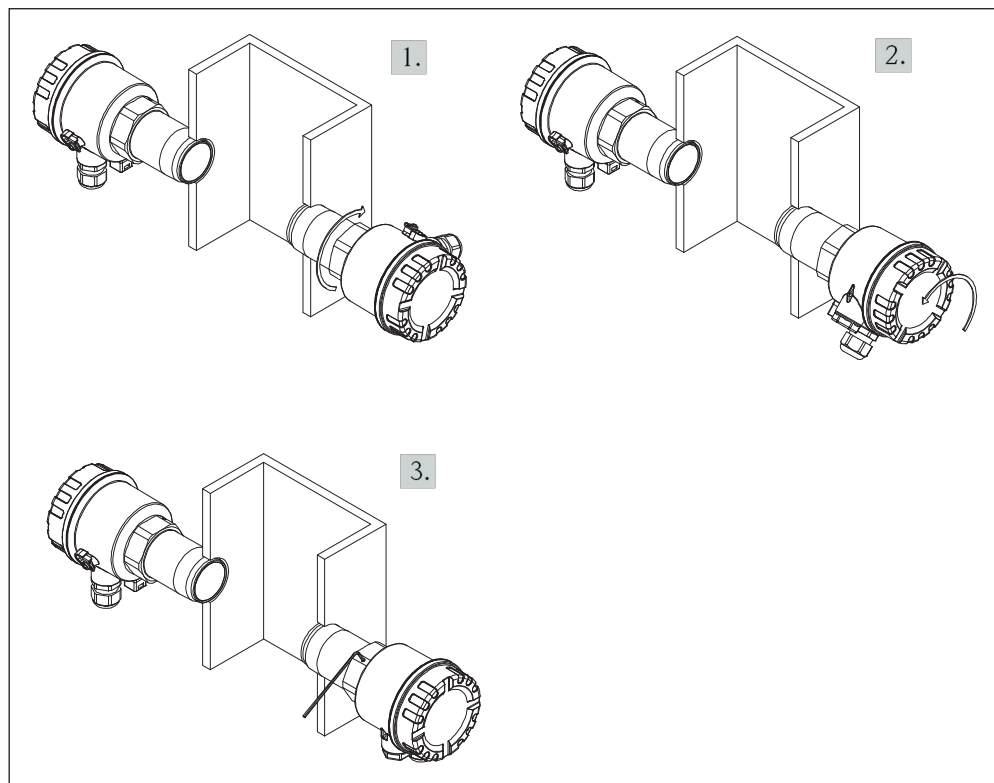
- As the microwaves are polarised, the FQR57 and the FDR57 must not be turned towards each other by their longitudinal axis (except by 180° or for detection distances less than 300 mm).
- Avoid interference from reflections at metal parts.
- An improvement in signal quality can be attained by installing the FQR57 and FDR57 so that they can be moved by ± 10 mm along their longitudinal axis.
- To avoid overranging when the detection range is less than 300 mm, the FQR57 and FDR57 should be installed at a 90° angle to each other when this is the case.
- Between the FQR57 and the FDR57, a minimum clearance of 30 mm should be maintained.



 7 Notes on orientation

Installation instructions

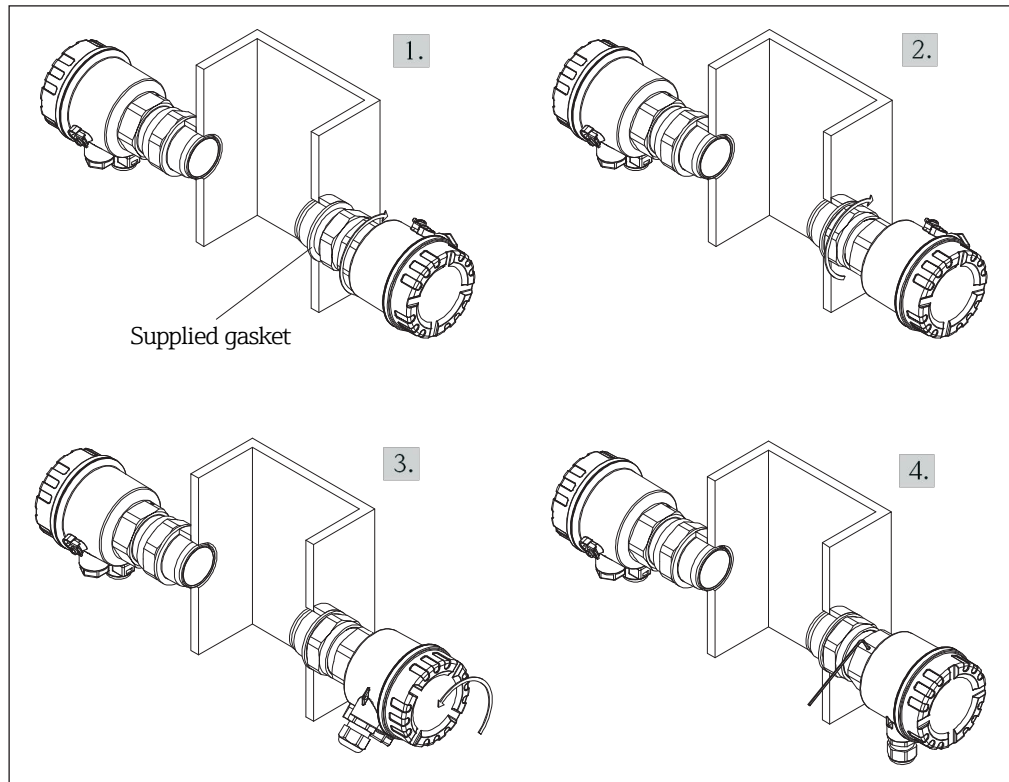
Both the FQR57 and the FDR57 are equipped with a standard thread (R 1½ in accordance with EN 10226 or 1½" NPT in accordance with ANSI/ASME B1.20.1 or G 1½ in accordance with ISO 228-1) as the process connection. This enables easy installation in existing container couplings or nozzles. For optimal orientation after mounting the electronics housing of the devices in the process, it can be rotated as desired (by 360°).

Installation with self-sealing connection thread (R 1½ and 1½ NPT)

8 Installation with self-sealing connection thread

1. Turn self-sealing connection thread R 1½ or 1½ NPT into the process (SW55 hexagon).
2. Align FQR57 and FDR57 with each other (the fronts of both devices must be opposite each other on one axis).
3. Secure the housing (2 mm hex socket).

Installation with non-self-sealing connection thread (G 1½)



9 Installation with non-self-sealing connection thread

1. Screw non-self-sealing connection thread G 1½ with the enclosed process seal into the process (SW55 hexagon).
2. Tighten the counter nut of the thread (also SW55 hexagon).
3. Align FQR57 and FDR57 with each other (the fronts of both devices must be opposite each other on one axis).
4. Secure the housing (2 mm hex socket).

NOTICE

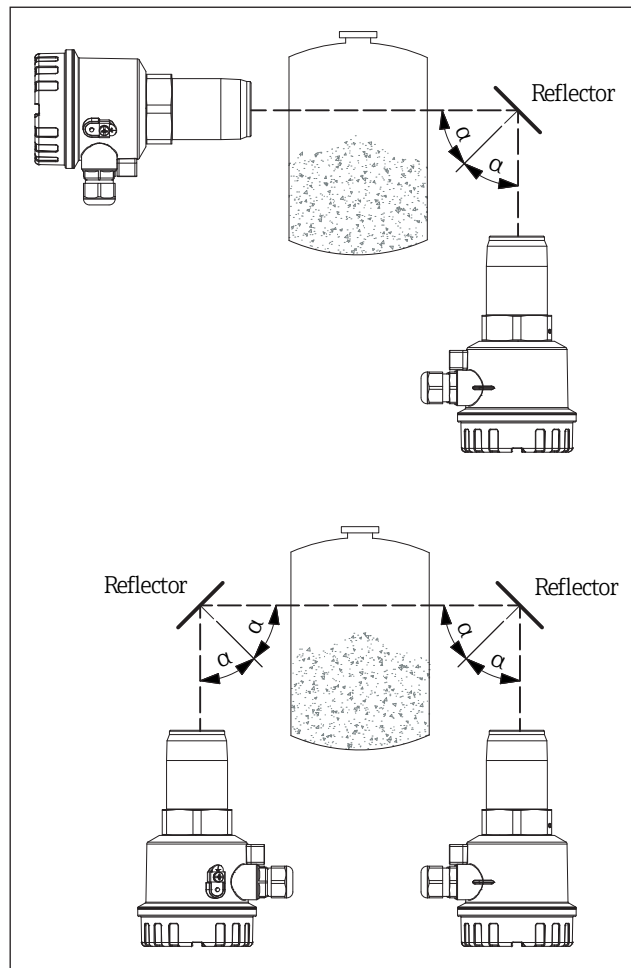
- If the process connection is not screwed far enough into the process wall, there is a risk that material will accumulate in front of the FQR57/FDR57 and cause attenuation of the microwave signal.
- If, on the other hand, the process connection is screwed too far into the process, there is a risk of damage due to large falling product pieces.

Operation with reflector(s)

If FQR57 and FDR57 cannot be positioned directly opposite each other for structural reasons, the microwave can be deflected via flat metal mirrors (reflectors).

NOTICE

By using reflectors, the range of the microwave barrier is reduced by approximately 10% per reflector.



10 Reflector operation

NOTICE

Note that the FQR57 and FDR57 have to be arranged symmetrically to the reflector (angle of entrance = angle of emission), as otherwise the FDR57 does not receive a signal that it can evaluate.

Parallel mode

In practice, in some instances, multiple microwave barriers are to be operated in parallel at one location (e.g. for multiple level limit detections in a pipe). To prevent the microwave barriers from influencing each other, you can select a separate channel (1 to 5) for each microwave barrier at the FTR525 Nivotester.

NOTICE

Use the channels in order, i.e. 1, 2, ..., 5, 1, ...

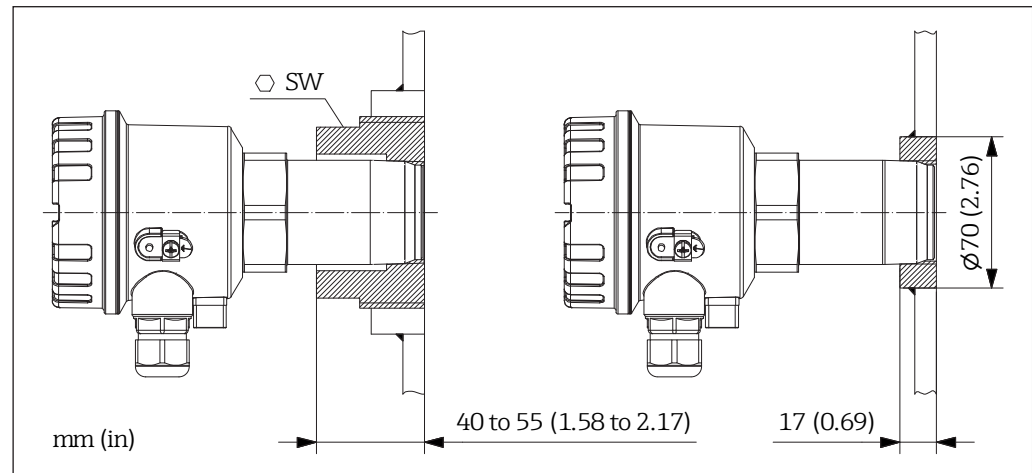


For details on the FTR525 Nivotester settings, please see the separate technical information (TI01329F/97/EN).

Direct mounting with threaded connection

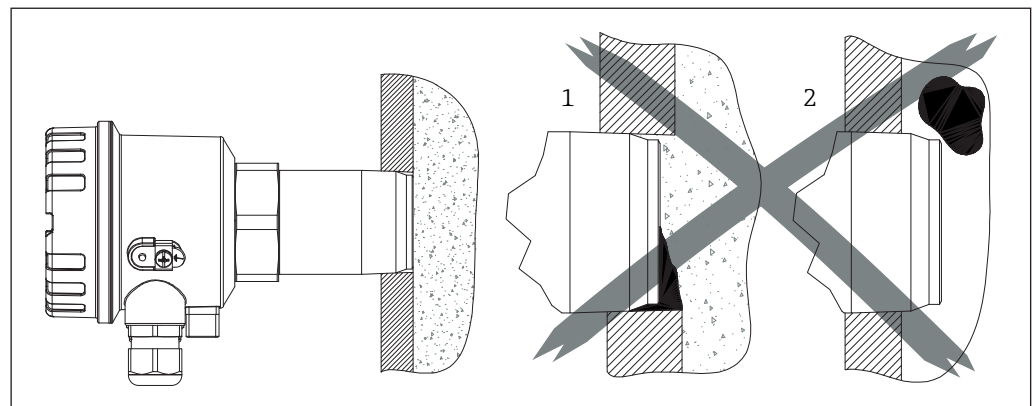
The simplest mounting method is by screwing into the process wall. To do this, a corresponding internal thread (Rp 1½, 1½ NPT or G 1½) must be available in the process.

- i** ■ Weld-in adapters of type FAR52-A*, with corresponding internal thread, are available as accessories (→ 31).
- If the internal threads available in the process wall are different (R 2 to R 4 or 2 NPT to 4 NPT), additional screw-in adapters of type FAR52-B* are available as accessories (→ 31).



11 FAR52 weld-in or screw-in adapter

With direct mounting in the process wall, it must be ensured that the front edge of the process connection is flush with the internal edge.



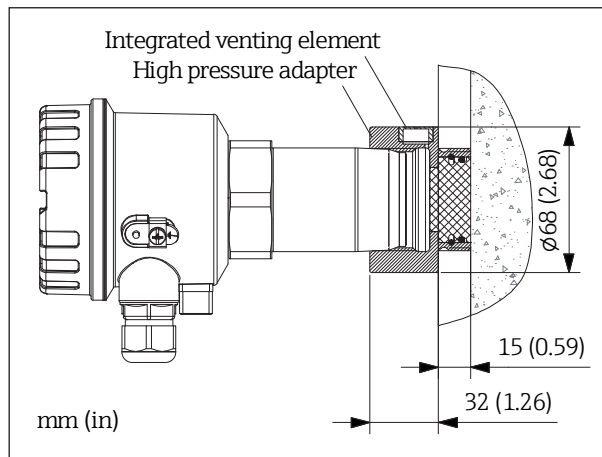
12 Direct mounting with threaded connection

NOTICE

- If the process connection is not screwed far enough into the process wall (1), there is a risk that material will collect in front of the FQR57/FDR57 and cause attenuation of the microwave signal.
- If, on the other hand, the process connection is screwed too far into the process (2), there is a risk of damage due to large falling product pieces.

- i** ■ When using the G 1½ -process connection (standard thread to ISO 228-1, hexagon SW55) with integrated counter nut, the devices can be flush mounted especially easily, as a parallel thread is used.

For applications with a high process pressure up to 2 MPa (20 bar) absolute, we recommend the following high pressure adapter (accessories → 31).



13 Mounting with high-pressure adapter

NOTICE

The maximum temperature at the FQR57/FDR57 must be observed.

Mounting in front of microwave-permeable process wall

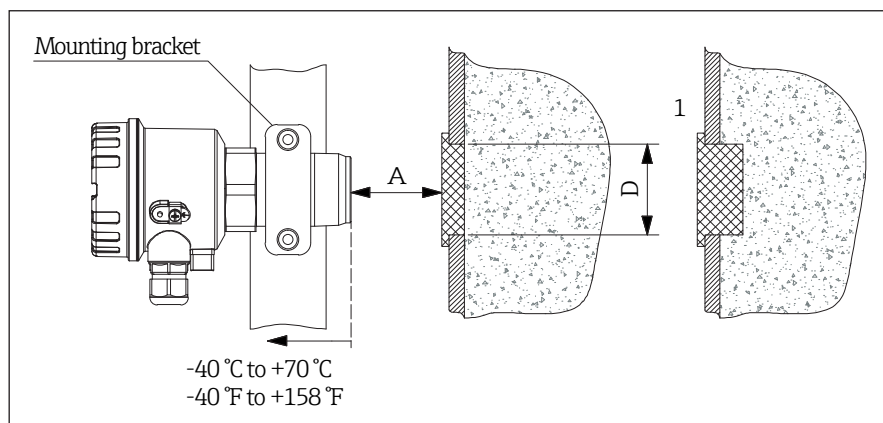
If, due to the process conditions (such as high temperatures, high pressures or hazardous nature of the material), no direct installation in the microwave-permeable process wall is possible, it is possible for the microwave barrier to emit its signal from outside or through an additionally installed plug.

The following materials have been tested and are suitable for radiation:

- Plastics (virginal, unfilled) such as polytetrafluorethylene (PTFE), polyethylene (PE) or polypropylene (PP)
- Aluminum oxide ceramic (purity min. 99.5%, uncolored)
- Borosilicate glass (uncolored)

NOTICE

Colorations or added (colored) substances can cause a potentially high signal attenuation, depending on the material, and are therefore not suitable for this purpose.



14 Bracket mounting in front of a microwave-permeable process wall

NOTICE

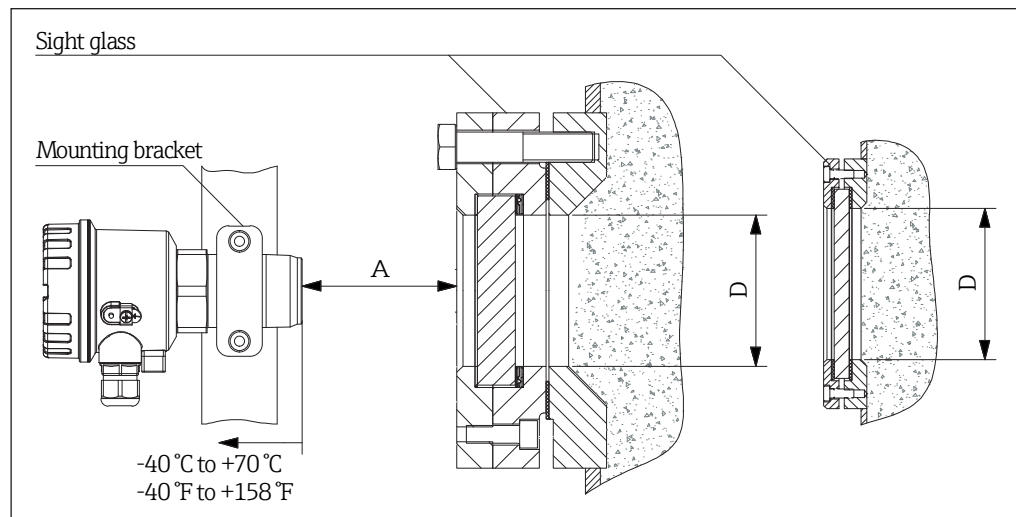
- With bracket mounting in front of a microwave-permeable plug and the risk of the formation of condensate on the inner wall of the container, we recommend a plug protruding into the process (1).
- The maximum temperature at the FQR57/FDR57 must be observed.
- Distance A is based on the clear opening area D. To prevent possible signal attenuation, we recommend keeping the distance as short as possible (e.g. max. 40 mm at DN50).
- For optimal alignment, it should be possible to move the FQR57 transmitter and FDR57 transceiver by ± 10 mm along their longitudinal axes.



- Suitable mounting brackets made of plastic or aluminum are available as accessories (→ 31).
- Suitable plugs made of PTFE or aluminum oxide ceramic of type FAR54 are available as accessories in different lengths and diameters (→ 31).
- Details on plug mounting → TI01371F/97/EN

Mounting bracket in front of microwave-permeable sight glass fitting

If, due to the process conditions (such as high temperatures, high pressures or hazardous nature of the material), no direct installation in the process wall is possible and the process wall is also not permeable, it is possible to have the microwave barrier emit its signal from outside through a suitable sight glass fitting. The sight glass in this fitting is made of uncolored borosilicate glass.

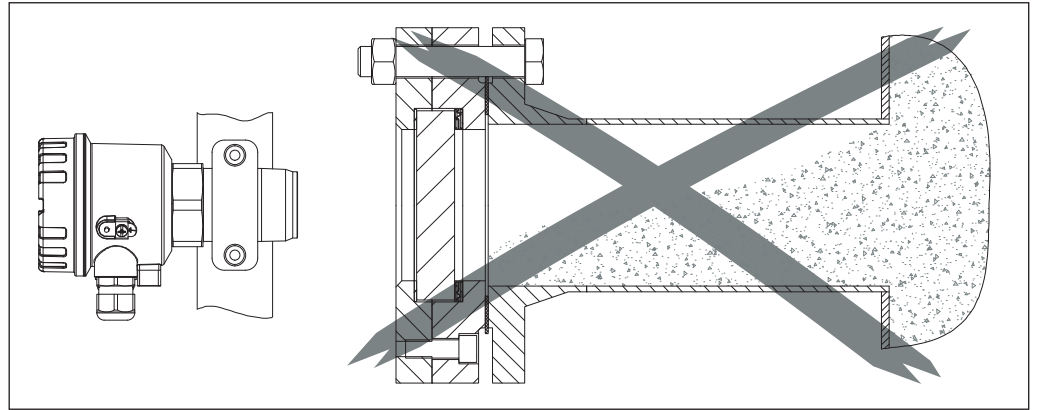


15 Bracket mounting in front of microwave-permeable sight glass fitting

NOTICE

- Distance A is based on the clear opening D and the temperature in this area. To prevent possible signal attenuation, we recommend keeping the distance as short as possible (e.g. max. 40 mm at DN50).
- For optimal alignment of the microwave barrier, it should be possible to move the FQR57 transmitter and FDR57 transceiver by ± 10 mm along their longitudinal axes.

Sight glass fittings should in principle only be installed at places where no material can collect on the process side. Mounting on a connecting nozzle, for example, could result in the inability to detect a free path.



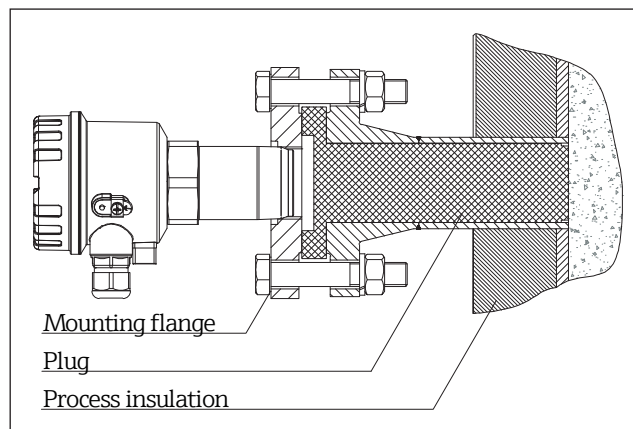
16 Impermissible mounting with the risk of material collection

- i** Suitable mounting brackets made of plastic or aluminum are available as accessories (→ 31).
- Suitable sight glass fittings made of stainless steel with borosilicate glass are available as accessories (→ 31).

Mounting on process nozzles

Mounting on a process nozzle offers the following advantages:

- By using available nozzles, no modifications of the process are required.
- The use of suitable plugs can prevent material from collecting in the nozzle.
- At the same time, the plug acts as wear protection for the microwave barrier and can be replaced easily in the event of significant wear.
- Mounting or disassembly of the FQR57/FDR57 devices can be carried out during ongoing operation, which significantly simplifies the service process.

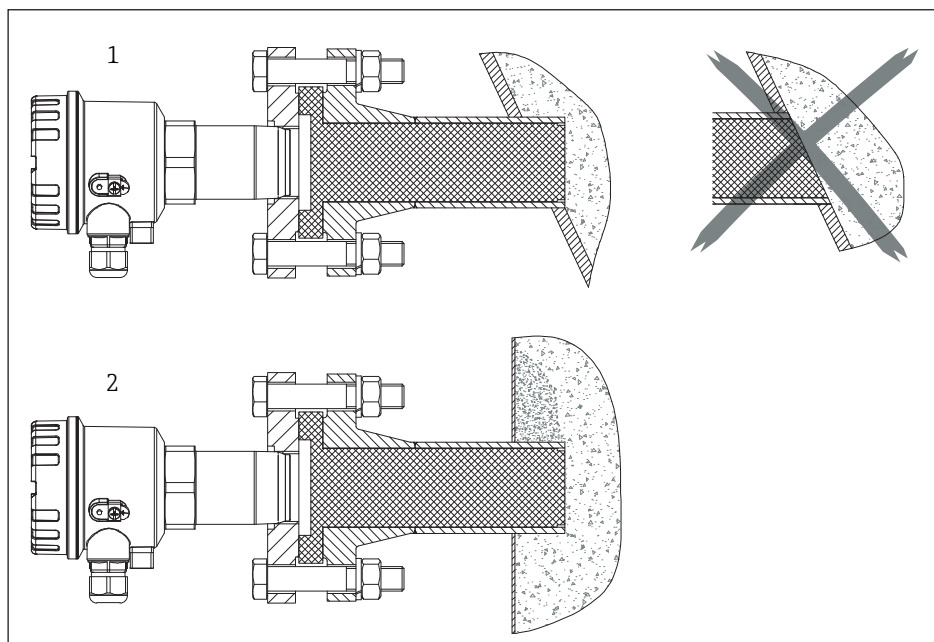


17 Mounting on available process nozzles

- i** Suitable mounting flanges with corresponding connection threads made of stainless steel and plugs made of PTFE or aluminum oxide ceramic for the available process nozzles are available as accessories (→ 31).
- Process nozzles of type FAR50, consisting of connection nozzle, plug and mounting flange, are available as accessories in different sizes and materials (→ 31).

NOTICE

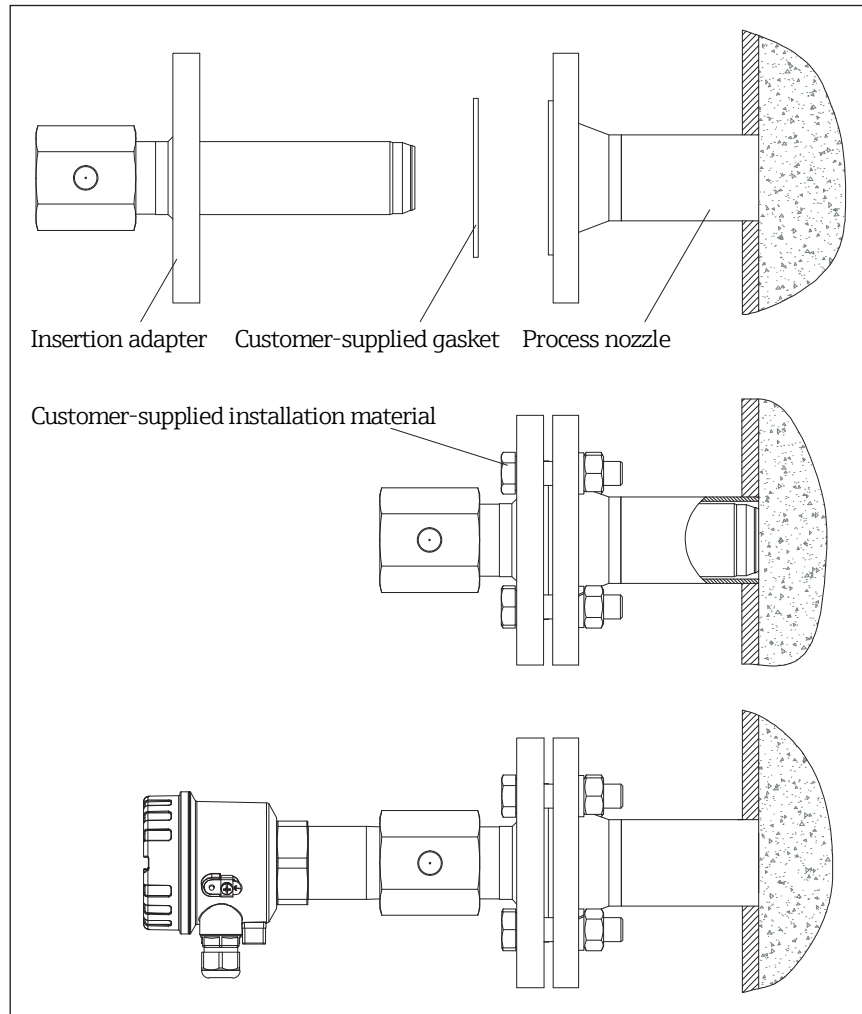
- For non-vertical process walls, we recommend mounting the process nozzle far enough into the process that no material can collect in front of it (1).
- For process nozzle mounting and when there is a risk of material building up on the inner wall of the container, we recommend a nozzle that protrudes into the process (2).
- The maximum plug length is dependent on the attenuation and water absorption of the material. Please note the manufacturer's instructions in this regard.



18 Mounting with the risk of accumulations

NOTICE

When there is a risk of condensate forming between the process connection of the FQR57/FDR57 and the plug, we recommend using the process nozzle type FAR50 (→ 31), which is equipped with a mounting flange with a pressure equalization element.



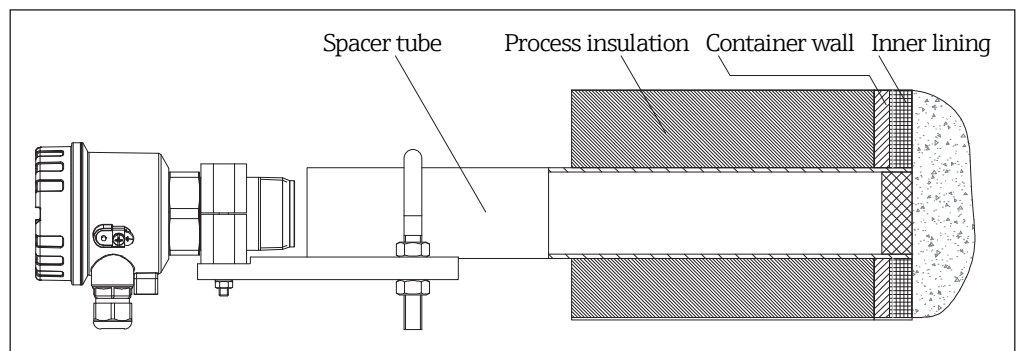
19 Mounting with FAR51 insertion adapter

i For process temperatures of +70 to +450°C (+158 to +842°F), plug-in adapters for stainless steel flange nozzles of type FAR51 are available as accessories (→ 31).

Mounting with spacer tube (wave guide)

For many processes, mounting with a spacer tube is a simple and cost-effective way of separating the devices of the microwave barrier FQR57/FDR57 from the high process temperatures of +70 to +450°C (+158 to +842°F). The spacer tube can be secured in place in various ways, depending on the application conditions (e.g. screwed into the process wall, bolted-on mounting brackets, welded or clamped to available cross beams).

We also recommend this mounting method for processes that are lined with clay or similar materials on the inside. The spacer tube can be glued into place, for example.



20 Mounting with spacer tube

- i** ▪ Suitable spacer tubes of type FAR53, made of steel or stainless steel, are available as accessories in different versions (→ 31).
- The mounting of devices with mounting brackets (connection with mounting plate) and pipe clamps (connection of mounting plate with spacer tube) allows for movement by ± 10 mm and thus for optimal alignment of the microwave barrier.

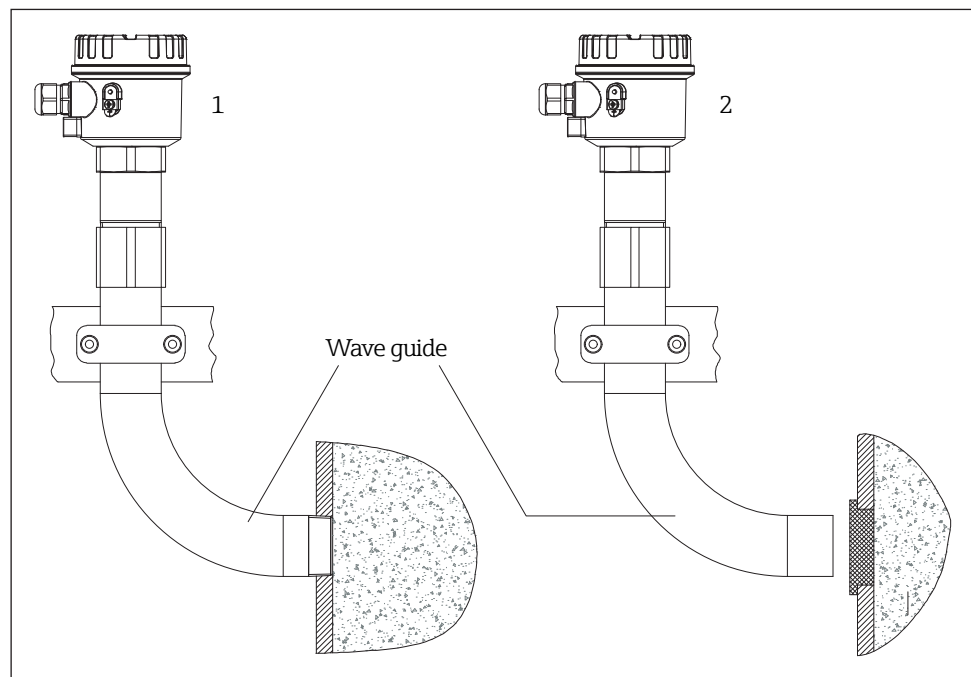
NOTICE

When there is a risk of condensate forming in the spacer tube, we recommend using process nozzle type FAR50 (→ 31), which is equipped with a mounting flange with a pressure equalization element.

For structural or space reasons, it may be necessary to mount the FQR57/FDR57 devices at an angle to the planned mounting location. In this case, a spacer tube can be used as a wave guide, meaning that no additional signal attenuation occurs due to the wave guide effect.

NOTICE

- The pipe can be made of any desired metallic material.
- Edges inside the pipe (for example at transitions) can cause signal attenuation and thus should be avoided wherever possible.



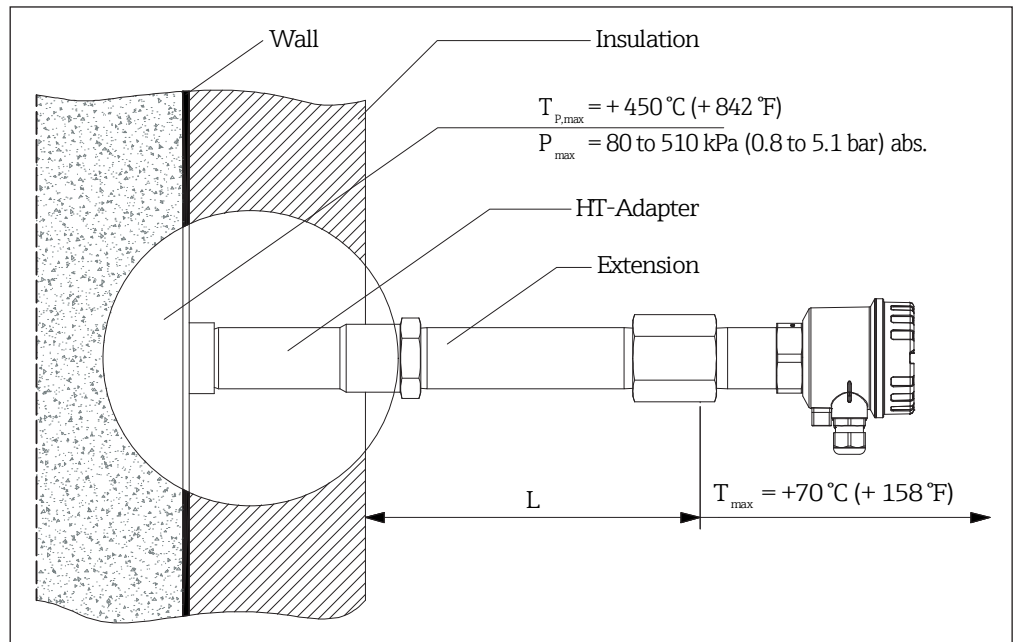
21 *Mounting with wave guide*

- 1 *Mounting directly in the process with connection thread*
- 2 *Mounting in front of the process plug without connection thread*

- i** Suitable stainless steel wave guides of type FAR55 are available as accessories in different versions (→ 31).

Mounting with high temperature adapter and length extensions

For simple and easily accessible high temperature applications in the range from +70 to +450°C (+158 to +842°F) there is a simple adapter with flush-mounted aluminum oxide ceramic, which can be extended with length extensions.



22 Mounting with high temperature adapter and length extensions

NOTICE

The maximum temperature of +70°C (+158°F) at the process connection of FQR57/FDR57 devices must be observed (L is to be selected according to the process and ambient temperatures); exceeding this temperature will cause destruction.

i Suitable high temperature adapters and stainless steel length extensions for FQR57/FDR57 are available as accessories (→ 31).

Connecting cable length

- Max. 500 m (length between the FTR525 Nivotester and the FQR57 or FDR57)
- Max. 1000 m (total length of both connecting cables)

Connecting cable

see cable specification (→ 10)

Environment

Operating temperature range -40 to +70°C (-40 to +158°F)

Storage temperature -40 to +80°C (-40 to +176°F)

Degree of protection

- IP 66 (with closed housing)
- IP 20 (with open housing)

Vibration resistance see vibration influence (→ 11)

Electromagnetic Compatibility (EMC)

- Interference emission to EN 61326, Electrical Equipment Class B
- Interference immunity to EN 61326, Appendix A (Industrial)
- Normal installation cable is sufficient for the wiring.

Process

Process temperature range

- Without optional process adapter: -40 to +70°C (-40 to +158°F)
 - With optional high temperature adapter (→ 31): -40 to +450°C (-40 to +842°F)
 - Note deviating temperature ranges with the accessories offered!
-

Process pressure range

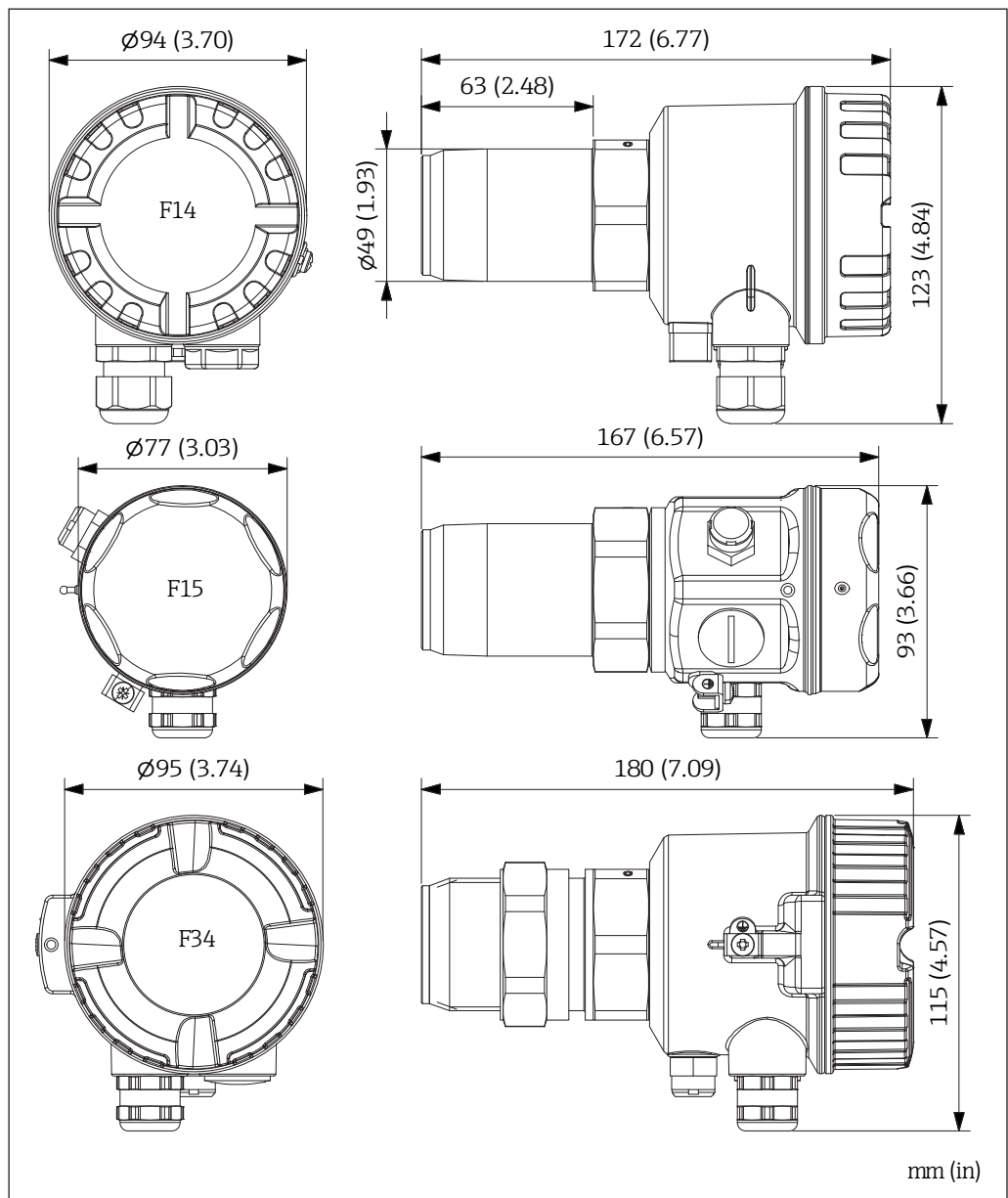
- 50 to 680 kPa (0.5 to 6.8 bar) absolute, only to be observed with FQR57/FDR57 installed directly in the process
 - 80 to 510 kPa (0.8 to 5.1 bar) absolute, with use of the optional high temperature adapter
 - 50 to 2000 kPa (0.5 to 20 bar) absolute, with use of the optional high pressure adapter
 - Note deviating pressure ranges with the accessories offered.
-

Vibration

see vibration influence (→ 11)

Mechanical construction

Dimensions



23 Dimensions

Weight

1.1 to 1.7 kg (2.43 to 3.75 lbs), depending on the selected housing and process connection

Materials

- Stainless steel 316Ti (1.4571):
 - Process connection
 - Pressure equalization element (F15/F34 housing)
- Stainless steel 316L (1.4435):
 - F15 housing
 - Adapter ½ NPT (F15/F34 housing)
- Aluminum:
 - F34 housing
- Plastic:
 - F14 housing
 - M20 cable gland, adapter ½ NPT and pressure equalization element (F14 housing)
- Die-cast zinc:
 - M12 plug connector, nickel-plated
 - Harting plug connector, powder-coated
- Brass, nickel-plated:
 - M20 cable gland (F15/F34 housing)

Process connections

- Connection thread:
- R 1½ in accordance with EN 10226
 - 1½ NPT in accordance with ANSI/ASME
 - G 1½ in accordance with ISO 228-1

Operability

Operation and configuration is carried out entirely via the Nivotester FTR525 process transmitter with control unit.

When the housings of the FQR57 transmitter and the FDR57 transceiver are open, a green LED is visible, which indicates a connected power supply (provided by the FTR525 Nivotester).

Certificates and approvals

CE mark

The FQR57/FDR57 microwave barrier meets the legal requirements of the applicable EU guidelines. These are listed in the corresponding EU Declaration of Conformity, together with the applied standards.

By applying the CE mark, Endress+Hauser confirms that the device has passed the necessary tests.

Ex approval

The measuring device is certified for use in hazardous areas and the safety instructions to be observed are provided in the separate "Safety Instructions" (XA) document. This is also referenced on the nameplate.



The separate Ex documentation (XA) with all relevant data regarding explosion protection can be obtained from your Endress+Hauser sales center or as a download from www.endress.com.

Radio approval

- EN 300440
Short range radio devices (SRD) – radio devices for operation in a frequency range of 1 GHz to 40 GHz

External standards and guidelines

- EN 60529
Degrees of protection through housing (IP code)
- EN 61010-1
Protection measures for electrical equipment for measurement, control, regulation and laboratory procedures
- EN 61326
Interference emission (equipment in class B) and interference immunity (appendix A – industrial)
- EN 60079-0
Hazardous areas – part 0: Equipment – general requirements
- EN 60079-11
Potentially explosive atmosphere – part 11: Device protection through intrinsic safety "i"

Ordering information

Detailed ordering information is available from the following sources:

- In the product configurator on the Endress+Hauser website: www.endress.com → Select your country → Products → Select measurement technologies, software or components → Select product (selection lists: Measuring methods, product family, etc.) → Device support (right column): Configure the selected product → The product configurator opens for the selected product.
- From your Endress+Hauser sales center: www.addresses.endress.com



Product Configurator – the tool for individual product configuration

- Up-to-the-minute configuration data
- Depending on the device: Direct input of measuring point-specific information such as measuring range or operating language
- Automatic verification of exclusion criteria
- Automatic creation of the order code and its breakdown in PDF or Excel output format

Scope of delivery

The scope of delivery includes the FQR57 or FDR57 in a box with operating instructions included. Depending on the order code, the scope may be extended to include a matching mating connector (electrical connections).

Accessories

Various accessories are available for the device, and can be ordered with the device or at a later stage from Endress+Hauser. Detailed information on the order code in question is available from your local Endress+Hauser sales center or on the product page of the Endress+Hauser website: www.endress.com.

Plug connector

For device variants with plug-in connectors, the following female connectors can be used:

- Order No.:
71381872, M12, 4-pin
71381882, Harting HAN8D, 8-pin

 For device variants with electrical connections **F** and **J**, the corresponding plug connectors are already included in the scope of delivery.

Pre-terminated connecting cable

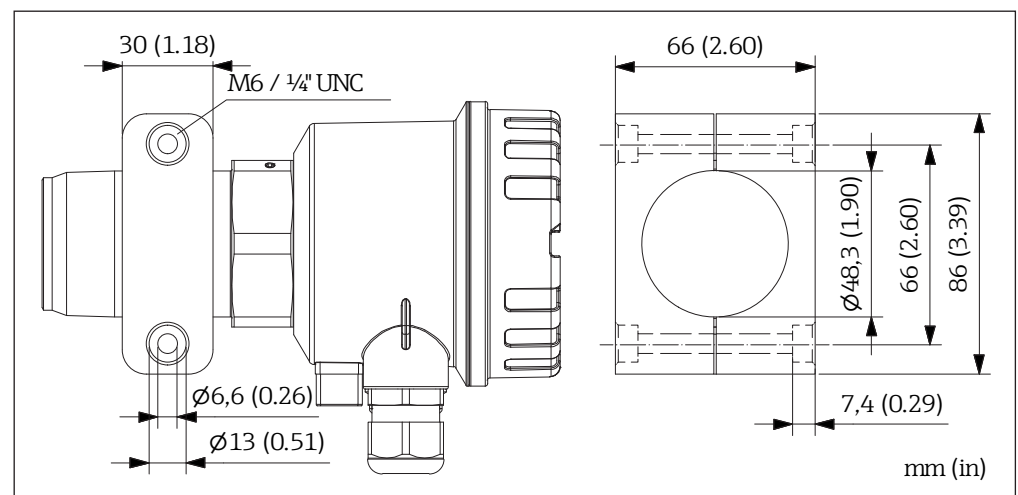
For device variants with plug-in connectors, the following pre-terminated connection cables can be used:


- Order No.:
71381853, M12 female cable connector, 4 x 0.34 mm², PUR, length 2 m (6.45 ft)
71381870, M12 female cable connector, 4 x 0.34 mm², PUR, length 5 m (16.40 ft)
71381877, Harting HAN8D female cable connector, 4 x 0.75 mm², PUR, length 2 m (6.45 ft)
71381879, Harting HAN8D female cable connector, 4 x 0.75 mm², PUR, length 5 m (16.40 ft)
- Weight: Approx. 0.19 kg (M12 connecting cable, 2 m)/0.45 kg (Harting connecting cable, 5 m)

Mounting bracket

For mounting on frames, cross beams or similar which are already available, the following mounting brackets can be used:

- Order No.:
52017501, aluminum
52017502, plastic
- Weight: Approx. 0.06 kg (plastic)/0.22 kg (aluminum)
- The delivery does not include any mounting screws, as the type and length are dependent on on-site conditions.

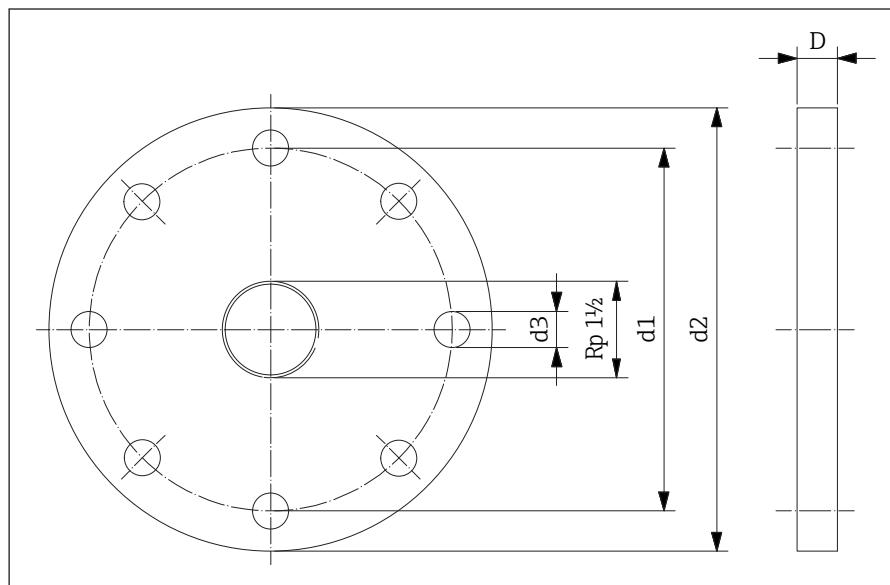


 24 Mounting bracket dimensions

Mounting flange

The following mounting flanges can be used for mounting on available process nozzles with connection dimensions in accordance with DIN EN 1092-1:

- Order No.:
 - 71006348, DN40 PN16, Rp 1½ internal thread
 - 71108383, DN40 PN16, Rp 1½ internal thread, inspection certificate in accordance with EN 10204-3.1
 - 71381884, DN40 PN16, G 1½ internal thread
 - 71381885, DN40 PN16, G 1½ internal thread, inspection certificate in accordance with EN 10204-3.1
 - 71006350, DN50 PN16, Rp 1½ internal thread
 - 71108388, DN50 PN16, Rp 1½ internal thread, inspection certificate in accordance with EN 10204-3.1
 - 71381887, DN50 PN16, G 1½ internal thread
 - 71381888, DN50 PN16, G 1½ internal thread, inspection certificate in accordance with EN 10204-3.1
 - 71006352, DN100 PN16, Rp 1½ internal thread
 - 71108390, DN100 PN16, Rp 1½ internal thread, inspection certificate in accordance with EN 10204-3.1
 - 71381890, DN100 PN16, G 1½ internal thread
 - 71381891, DN100 PN16, G 1½ internal thread, inspection certificate in accordance with EN 10204-3.1
- Material: 316Ti stainless steel (1.4571)
- Weight: DN40 approx. 2.3 kg (5.07 lbs) to DN100 approx. 5.8 kg (12.79 lbs)

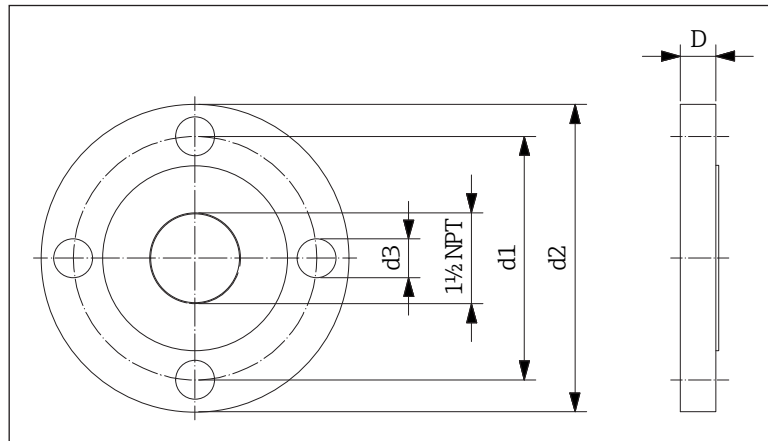


25 Dimensions of mounting flange (connection dimensions in accordance with EN 1092-1)

Flange	d1 mm (in)	d2 mm (in)	d3 mm (in)	D mm (in)	holes
DN40/PN16	110 (4.33)	150 (5.91)	18 (0.71)	18 (0.71)	4
DN50/PN16	125 (4.92)	165 (6.50)	18 (0.71)	18 (0.71)	4
DN100/PN16	180 (7.09)	220 (8.66)	18 (0.71)	20 (0.79)	8

The following mounting flanges can be used for mounting on available process nozzles with connection dimensions in accordance with ANSI/ASME B16.5:

- Order No.:
 - 71006349, 1½" 150 lbs, 1½ NPT internal thread
 - 71108387, 1½" 150 lbs, 1½ NPT internal thread, inspection certificate in accordance with EN 10204-3.1
 - 71006351, 2" 150 lbs, 1½ NPT internal thread
 - 71108389, 2" 150 lbs, 1½ NPT internal thread, inspection certificate in accordance with EN 10204-3.1
 - 71006353, 4" 150 lbs, 1½ NPT internal thread
 - 71108391, 4" 150 lbs, 1½ NPT internal thread, inspection certificate in accordance with EN 10204-3.1
- Material: 316Ti stainless steel (1.4571)
- Weight: 1½" approx. 1.5 kg (3.31 lbs) to 4" approx. 6.8 kg (15.0 lbs)



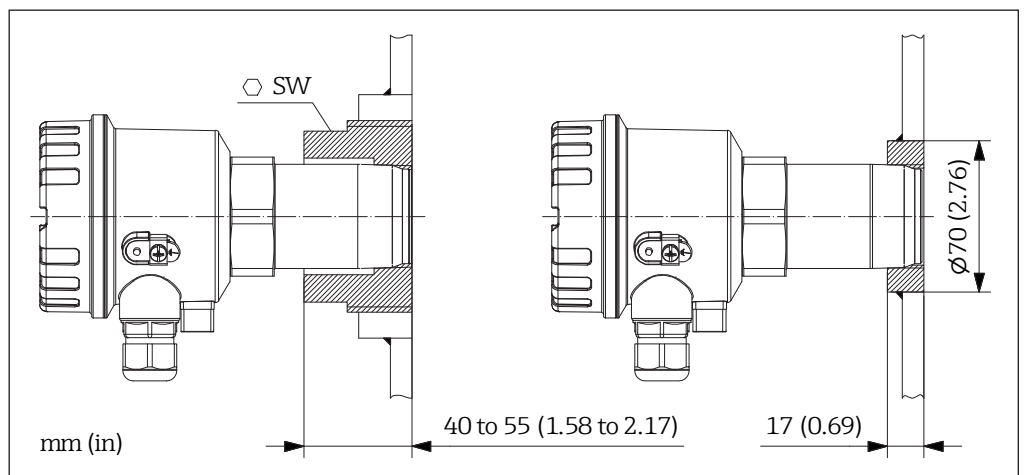
26 Dimensions of mounting flange (connection dimension in accordance with ANSI/ASME B16.5)

Flange	d1 mm (in)	d2 mm (in)	d3 mm (in)	D mm (in)	holes
1½" 150 lbs	98.6 (3.88)	127 (5.00)	15.7 (0.62)	17.5 (0.69)	4
2" 150 lbs	120.7 (4.75)	152.4 (6.00)	19.1 (0.75)	19.1 (0.75)	4
4" 150 lbs	190.5 (7.50)	228.6 (9.00)	19.1 (0.75)	23.9 (0.94)	8

Weld-in or screw-in adapter


For mounting in process walls with existing threads or bores, adapters of type FAR52 can be used (→ TI01369F/97/EN):

- Weld-in adapter with internal thread Rp 1½, 1½ NPT and G 1½
- Screw-in adapter for thread R 2 to R 4 and 2 NPT to 4 NPT, with internal thread R 1½ or 1½ NPT
- Material: 316Ti stainless steel (1.4571) and P235GH steel (1.0345)
- Weight: FAR52-AAAA1A approx. 0.3 kg (0.66 lbs) to FAR52-BVL22B approx. 1.8 kg (4 lbs)



27 Dimensions of weld-in or screw-in adapter FAR52

High pressure adapter

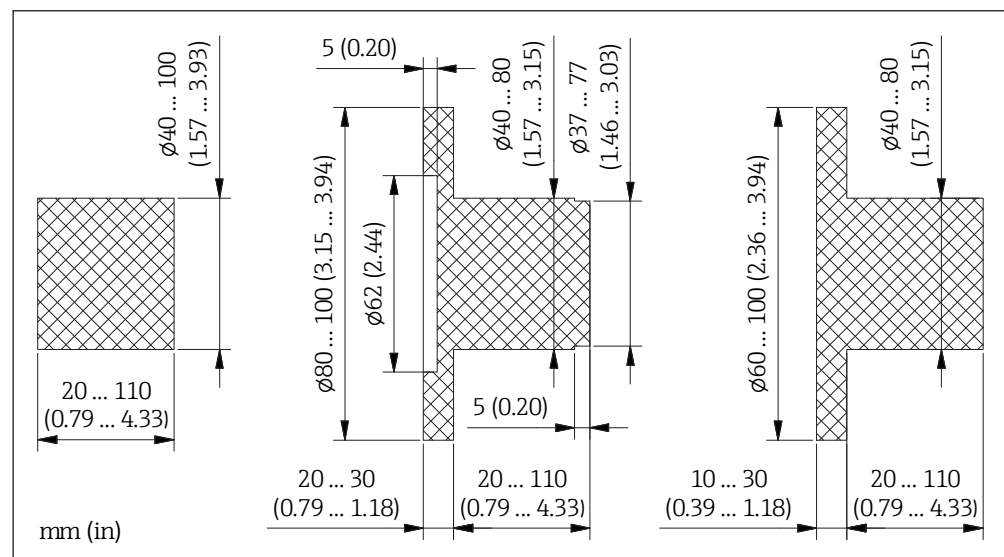
For mounting of with a microwave-impermeable process wall and high process pressure up to 2 MPa (20 bar) absolute, the following high pressure adapters (→  13) can be used:

- Order No.:
 - 71381894: Process and device connecting thread G 1½ in accordance with ISO 228-1
 - 71381898: Process and device connecting thread G 1½ in accordance with ISO 228-1, inspection certificate in accordance with EN 10204-3.1
 - 71381899: Process connecting thread G 1½ in accordance with ISO 228-1, device connecting thread 1½ NPT in accordance with ANSI/ASME
 - 71381904: Process connecting thread G 1½ in accordance with ISO 228-1, device connecting thread 1½ NPT in accordance with ANSI/ASME, inspection certificate in accordance with EN 10204-3.1
- Material: 316Ti stainless steel, PTFE window transmission
- Weight: Approx. 0.8 kg (1.76 lbs)

Plug

For mounting with microwave-impermeable process walls, plugs of type FAR54 can be used (→  TI01371F/97/EN):

- Material: PTFE and aluminum oxide ceramic
- Process temperature: Max. -40 to +800°C (-40 to +1472°F)
- Weight: FAR54-ABCBFAAAA2 approx. 0.06 kg (0.13 lbs) to FAR54-CCBCABEBJ3 approx. 3.2 kg (7.05 lbs)

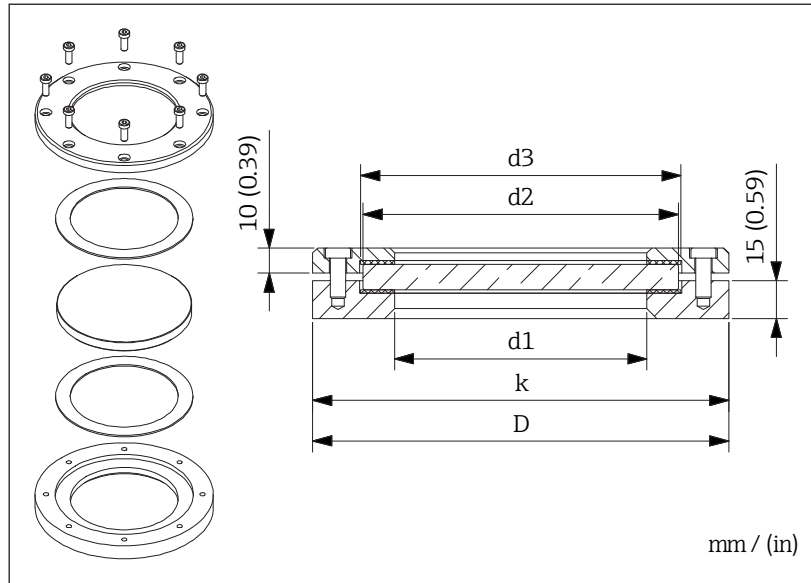


 28 Dimensions of FAR54 plugs

Sight glass fitting

For mounting with microwave-impermeable process walls and unpressurized process, the following sight glass fittings can be used for welding on or in:

- Order No.:
 - 71026443, DN50
 - 71026444, DN80
 - 71026445, DN100
- Material: 316Ti stainless steel, silicon seal (max. +200°C/+392°F)
- Weight: DN50 approx. 2.4 kg (5.29 lbs) to DN100 approx. 4.1 kg (9.04 lbs)
- The delivery includes the inspection glass fitting, incl. seals and mounting screws.

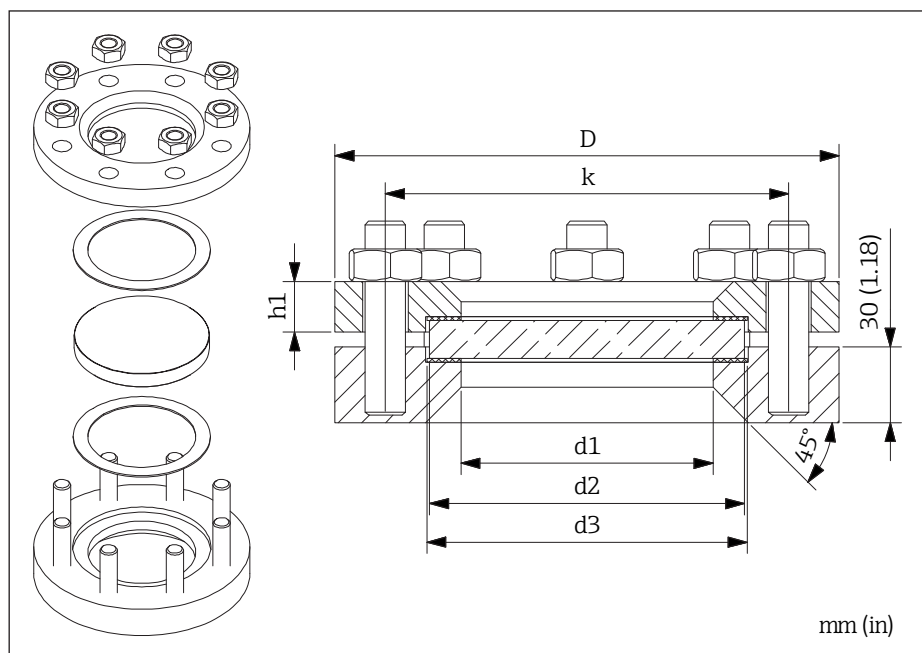


29 Dimensions of sight glass fitting for welding on/in for unpressurized processes

DN	d1 mm (in)	d2 mm (in)	d3 mm (in)	D mm (in)	k mm (in)
50	80 (3.15)	100 (3.94)	102 (4.02)	140 (5.51)	120 (4.72)
80	100 (3.94)	125 (4.92)	127 (5.00)	165 (6.50)	145 (5.71)
100	125 (4.92)	150 (5.91)	152 (5.98)	190 (7.48)	170 (6.69)

For mounting with microwave-impermeable process walls and process up to max. 1 MPa (10 bar), the following sight glass fittings can be used for welding on or in:

- Order No.:
71026446, DN50
71026447, DN80
71026448, DN100
- Material: 316Ti stainless steel, silicon seal (max. +200°C/+392°F)
- Weight: DN50 approx. 6.7 kg (14.77 lbs) to DN100 approx. 13.0 kg (28.66 lbs)
- The delivery includes the inspection glass fitting, incl. seals and mounting screws.

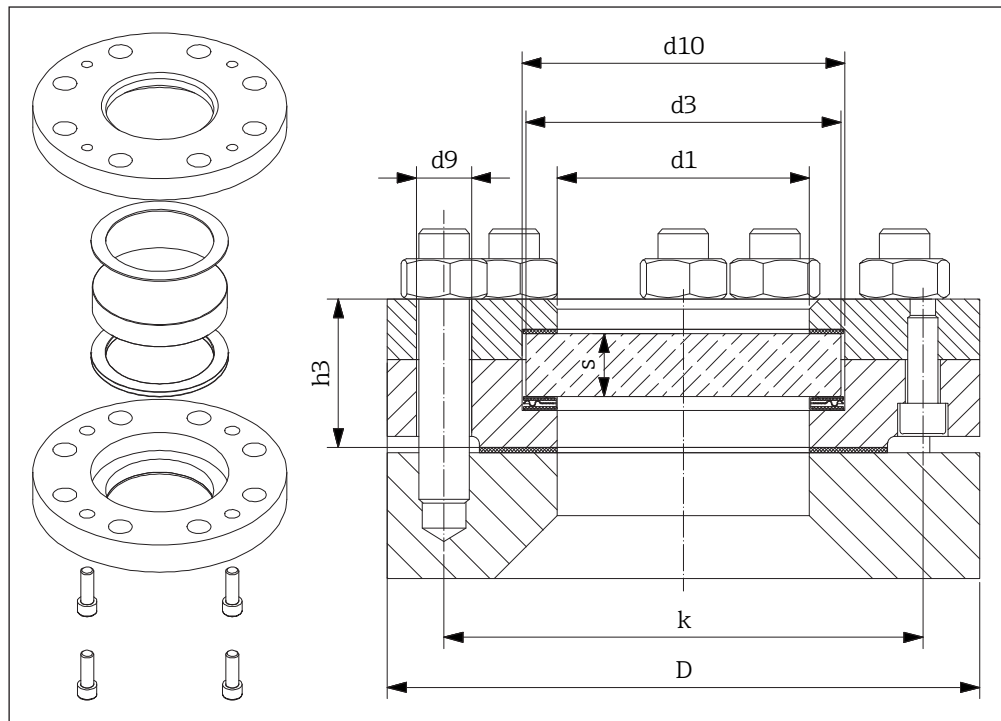


30 Dimensions of sight glass fitting for welding on/in for processes up to 1 MPa

DN	d1 mm (in)	d2 mm (in)	d3 mm (in)	D mm (in)	k mm (in)	h1 mm (in)
50	80 (3.15)	100 (3.94)	102 (4.02)	165 (6.50)	125 (4.92)	16 (0.63)
80	100 (3.94)	125 (4.92)	127 (5.00)	200 (7.87)	160 (6.30)	20 (0.79)
100	125 (4.92)	150 (5.91)	152 (5.98)	220 (8.66)	180 (7.09)	22 (0.87)

For mounting on available block flanges or counter flanges (process pressure up to max. 2.5 MPa (25 bar), the following bolt-on sight glass fittings can be used:

- Order No.:
71026449, DN50
71026450, DN80
71026451, DN100
- Material: 316Ti stainless steel, PTFE seal and C4400 (max. +200°C/+392°F)
- Weight: DN50 approx. 5.4 kg (11.90 lbs) to DN100 approx. 15.9 kg (35.05 lbs)
- The delivery includes the sight glass fitting incl. seals but does not include mounting screws (type and length are dependent on the structural situation).



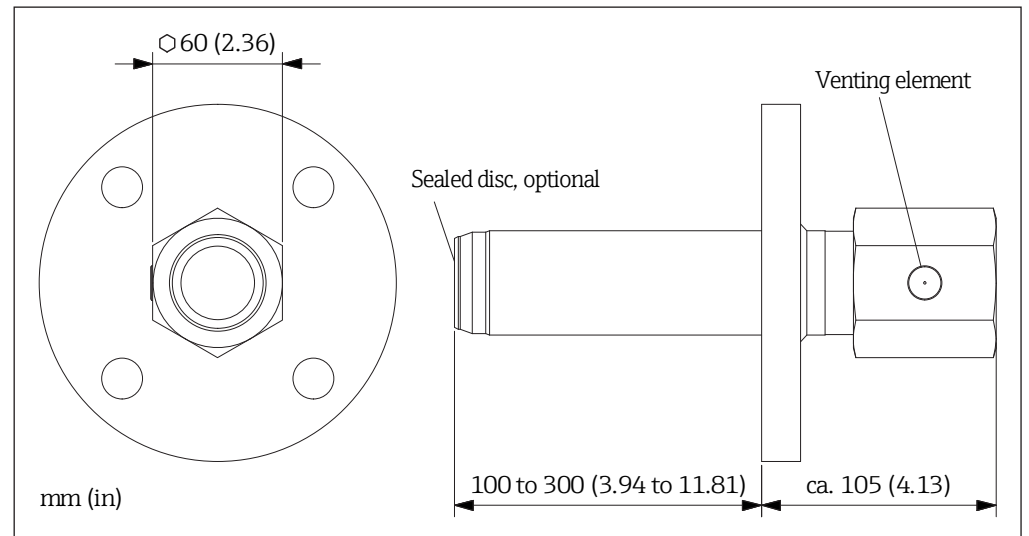
31 Dimensions of sight glass fitting for bolting on for processes up to 2.5 MPa

DN	d1 mm (in)	d2 mm (in)	s mm (in)	D mm (in)	k mm (in)	h3 mm (in)	d9 mm (in)	d10 mm (in)
50	65 (2.56)	80 (3.15)	15 (0.59)	165 (6.50)	125 (4.92)	41 (1.61)	18 (0.71)	82 (3.23)
80	80 (3.15)	100 (3.94)	20 (0.79)	200 (7.87)	160 (6.30)	50 (1.97)	18 (0.71)	102 (4.02)
100	100 (3.94)	125 (4.92)	25 (0.98)	235 (9.25)	190 (7.48)	59 (2.32)	22 (0.87)	127 (5.00)

Insertion adapter

For mounting on existing process nozzles, insertion adapters of type FAR51 can be used (→ [TI01368F/97/EN](#)):

- Process nozzle DN50 to DN100 PN16 shape A, 2 NPT to 4 NPT 150 lbs RF
- Nozzle lengths: 100 to 300 mm
- Connection thread R 1½, 1½ NPT and G 1½
- Optional with PTFE or aluminum oxide ceramic disc
- Process temperature: Max. -40 to +450°C (-40 to +842°F)
- Process pressure: Max. 80 to 510 kPa (0.8 to 5.1 bar) absolute
- Material: 316Ti stainless steel (1.4571)
- Weight: Approx. 5 to 10 kg (11 to 22 lbs)

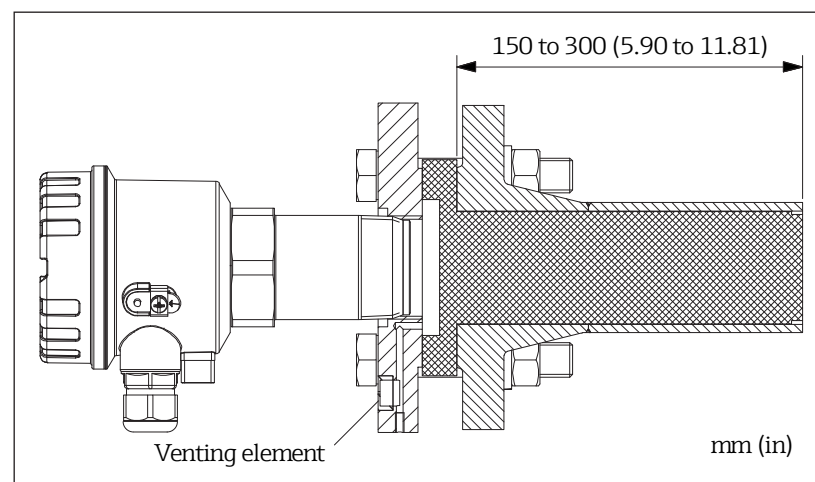


32 Dimensions of plug-in adapters

Weld-in nozzles

For nozzle mounting, weld-in nozzles of type FAR50 can be used (→ [TI01362F/97/EN](#)):

- Process nozzle DN50 to DN100 PN16 shape A, 2 NPT to 4 NPT 150 lbs RF
- Nozzle lengths: 150 to 300 mm
- Connection thread R 1½, 1½ NPT and G 1½
- With optional PTFE disc
- Process temperature: Max. -40 to +200°C (-40 to +392°F)
- Material: 316Ti stainless steel (1.4571)
- Weight: Approx. 6 to 28 kg (13 to 62 lbs)

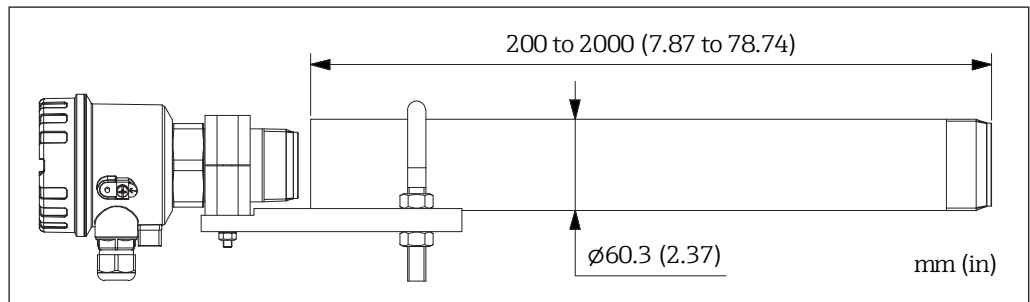


33 Dimensions of weld-in nozzles

Spacer tube (wave guide)

For mounting in open processes or processes with an internal lining, such as clay, spacer tubes of type FAR53 can be used (→ TI01370F/97/EN):

- Process connection: With or without thread R 2, 2 NPT and G 2
- Pipe lengths: 200 to 2000 mm
- With optional aluminum oxide ceramic disc
- Process temperature: Max. -40 to +450°C (-40 to +842°F)
- Material: 316Ti stainless steel (1.4571) or P235GH steel (1.0345)
- Weight: 200 mm approx. 5.3 kg (11.7 lbs) to 2000 mm approx. 22.2 kg (48.9 lbs)

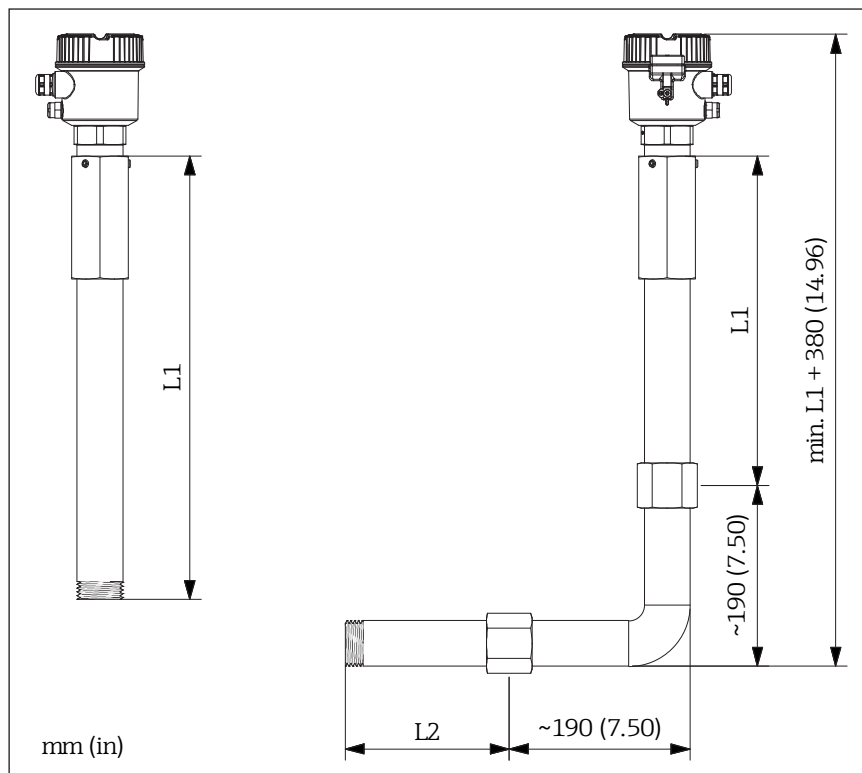


34 Dimensions of spacer tube (wave guide)

Wave guide

For mounting in structurally restricted installation positions, wave guides of type FAR55 can be used (→ TI01372F/97/EN).

- Process connection: With or without thread R 1½ and 1½ NPT
- Lengths: L1 = 200 to 1500 mm, L2 = 200 to 2000 mm
- Process temperature: Max. -40 to +450°C (-40 to +842°F)
- Device connection: Receptacle, suitable for thread R 1½, 1½ NPT and G 1½
- Material: 316Ti stainless steel (1.4571)
- Weight: FAR55-AAAACGAA2* approx. 2.0 kg (4.41 lbs) to FAR55-BAAAADGDL2* approx. 17.8 kg (39.24 lbs)

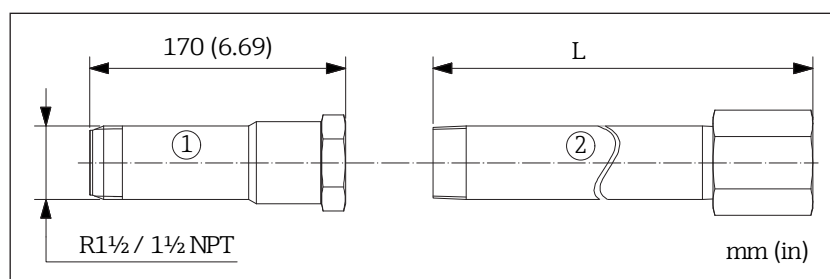


35 Dimensions of wave guide

High temperature adapter with length extensions

For mounting with connection thread in processes with temperatures up to max. +450°C (+842°F), the following high temperature adapters (SW55) and length extensions can be used (→ 31):

- Order No. (high temperature adapter with flush-mounted ceramic disc and pressure equalization element):
 - 71113441, thread R 1½/Rp 1½
 - 71113449, thread 1½ NPT
- Order No. (extension):
 - 71113450, thread R 1½/Rp 1½, L = 225 mm
 - 71113451, thread R 1½/Rp 1½, L = 325 mm
 - 71113452, thread R 1½/Rp 1½, L = 525 mm
 - 71113453, thread 1½ NPT, L = 225 mm
 - 71113454, thread 1½ NPT, L = 325 mm
 - 71113455, thread 1½ NPT, L = 525 mm
- Material: 316Ti stainless steel (1.4571)
- Weight:
 - High temperature adapter approx. 1.4 kg (3.09 lbs)
 - Extension 225 mm approx. 1.1 kg (2.43 lbs) to 525 mm approx. 2.2 kg (4.85 lbs)



36 Dimensions of high temperature adapter and extensions

Supplementary documentation



For an overview of the scope of the associated technical documentation, see the W@M Device Viewer: enter serial number from nameplate (www.endress.com/deviceviewer)

Standard documentation

Operating instructions for Soliwave FQR57/FDR57 microwave barrier
Documentation code: BA01804F/97/A2

Device-dependent supplementary documentation

Safety instructions ATEX
Documentation code: XA01603F/97/A3

Safety instructions IECEx
Documentation code: XA01604F/97/EN

www.addresses.endress.com
